

## Excellent Integrated System Limited

Stocking Distributor

Click to view price, real time Inventory, Delivery & Lifecycle Information:

[Cinch Connectivity Solutions](#)

[BJ3157](#)

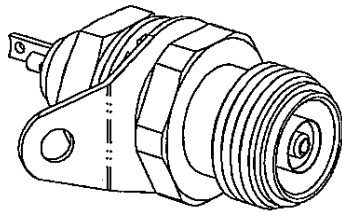
For any questions, you can email us directly:

[sales@integrated-circuit.com](mailto:sales@integrated-circuit.com)

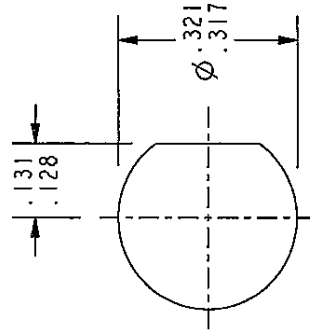
**REVISIONS**

REV	DESCRIPTIONS	DATE	APPROVED
F	REVISED PER ECO 15468	6/9/04	[Signature]

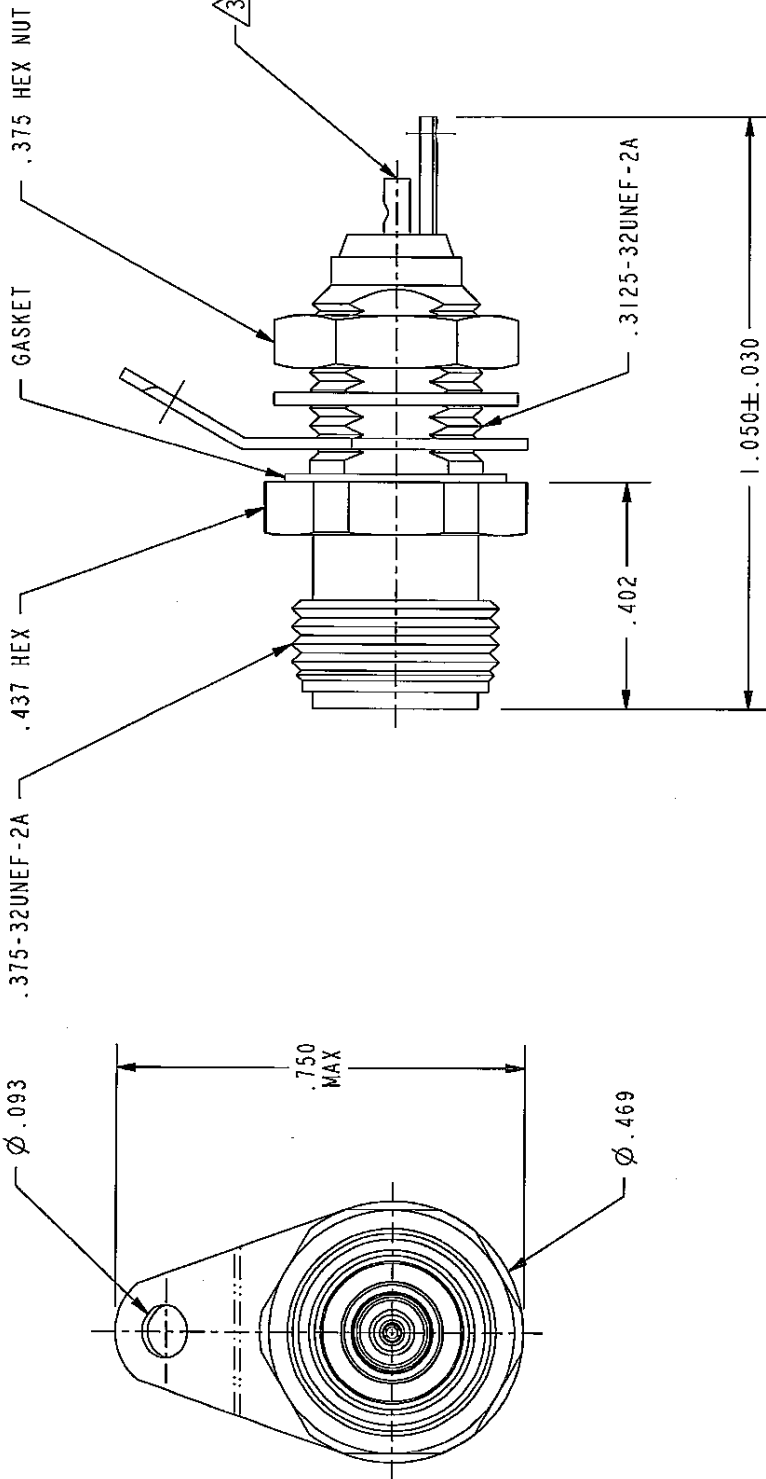
DATA CONTAINED IN THIS DOCUMENT IS PROPRIETARY TO TROMPETER ELECTRONICS INC. AND SHALL NOT BE DISCLOSED, COPIED OR USED FOR PROCUREMENT OR MANUFACTURE WITHOUT EXPRESS WRITTEN PERMISSION.



SCALE 2/1



RECOMMENDED  
PANEL CUTOUT  
SCALE 3/1



**RED INDICATES ORIGINAL**

4. SUBMINIATURE TRIAXIAL SOLDER POT BULKHEAD RECEPTACLE (TTM)

3 SOLDER POT ACCEPTS Ø.034 CONDUCTOR

2. MAXIMUM PANEL THICKNESS: .187

1. FINISH: TFS-1A (NICKEL)

NOTES: UNLESS OTHERWISE SPECIFIED.



BJ3157

TITLE:

INTERPRET DRAWING PER MIL-STD-100: DIMENSIONS IN INCHES UNLESS OTHERWISE SPECIFIED. FINISH UNLESS OTHERWISE SPECIFIED.

TOL: UNLESS SPECIFIED:  
.XX ± .02  
.XXX ± .010  
ANGLE ± 1°

MATERIAL:  
5-20-04

DO NOT SCALE DWG

SCALE 3/1

DATE 8-8-80

SHEET 1C

REV: F

DRAWING NO. 3-0046

SIZE A 14949

SCALE 3/1

DATE 8-8-80

SHEET 1C

REV: F

DRAWING NO. 3-0046

SCALE 3/1

NEXT ASSY