

Excellent Integrated System Limited

Stocking Distributor

Click to view price, real time Inventory, Delivery & Lifecycle Information:

[Cinch Connectivity Solutions](#)

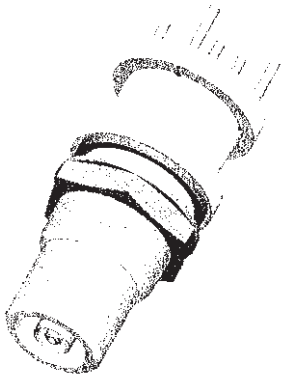
[CBBJ3159](#)

For any questions, you can email us directly:

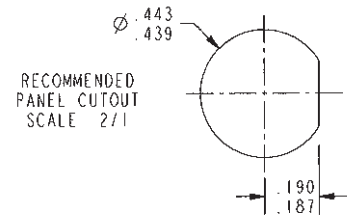
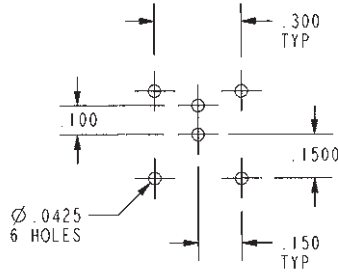
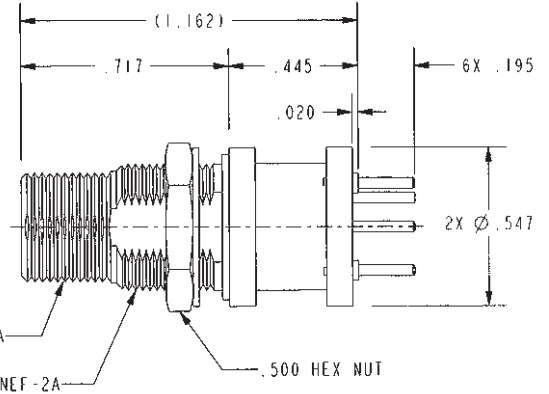
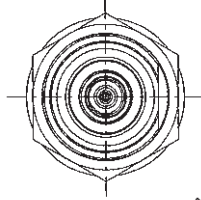
sales@integrated-circuit.com

DATA CONTAINED IN THIS DOCUMENT IS PROPRIETARY TO TROMPETER ELECTRONICS INC AND SHALL NOT BE DISCLOSED, COPIED OR USED FOR PRODUCTION OR MANUFACTURE WITHOUT EXPRESS WRITTEN PERMISSION.

REVISIONS			
REV	DESCRIPTIONS	DATE	APPROVED
B	SEE ECO # 16337	6-12-07	<i>D.Ramos</i>



RED INDICATES ORIGINAL



RECOMMENDED MTG HOLE PATTERN SCALE 2/1

- 3. MAX PANEL THICKNESS .250
- 2. FINISH-
 BODY: TFS-1A (NICKEL)
 CONDUCTORS: TFS-1B (GOLD)
 LEGS: TFS-1T (TIN 90/10)

- 1. SUBMINIATURE TRS REAR MOUNT PC BOARD BULKHEAD RECEPTACLE

NOTES: UNLESS OTHERWISE SPECIFIED.

INTERPRET DRAWING PER MIL-STD-100. DIMENSIONS ARE IN INCHES AND INCLUDE FINISH THICKNESS UNLESS OTHERWISE SPECIFIED. TOL: UNLESS SPECIFIED.
 .XX ± .02
 .XXX ± .010
 ANGLE ± 1°



DRY: J. CARPENTER 03-20-07	MATERIAL:	TITLE:
CHK: <i>[Signature]</i> 6/8/07	FINISH:	CBBJ3159
MARK:	SEE NOTE 2	SIZE: A
APPROVED: <i>[Signature]</i> 6/11/07	SCALE: 2/1	CAGE CODE: 14949
NEXT ASSY:	DATE: 10-27-03	DRAWING NO.: 3-0317
PROT FILE NO: 3-0317	DO NOT SCALE DWG.	REV: B
		SHEET: 1C