

## Excellent Integrated System Limited

Stocking Distributor

Click to view price, real time Inventory, Delivery & Lifecycle Information:

[Cinch Connectivity Solutions](#)

[CBBJ82](#)

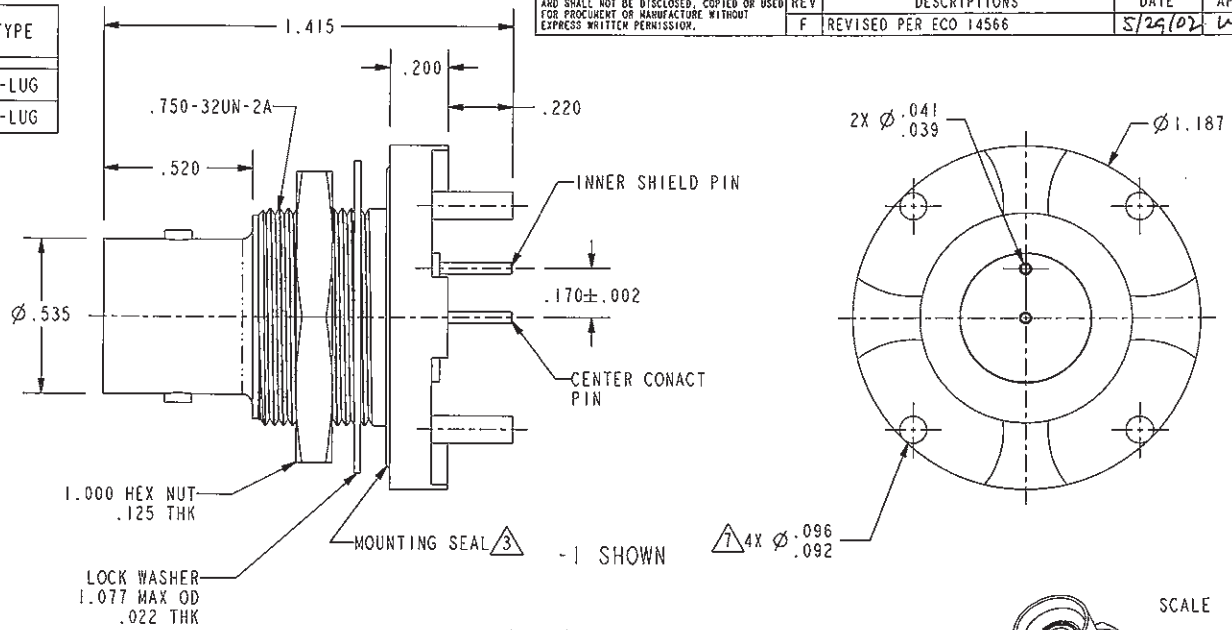
For any questions, you can email us directly:

[sales@integrated-circuit.com](mailto:sales@integrated-circuit.com)

DASH NO	MODEL NO	TYPE
-1	CBBJ82	2-LUG
-2	CBBJ823	3-LUG

DATA CONTAINED IN THIS DOCUMENT IS PROPRIETARY TO TROMPETER ELECTRONICS INC. AND SHALL NOT BE DISCLOSED, COPIED OR USED FOR PROCUREMENT OR MANUFACTURE WITHOUT EXPRESS WRITTEN PERMISSION.

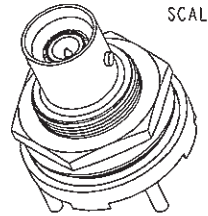
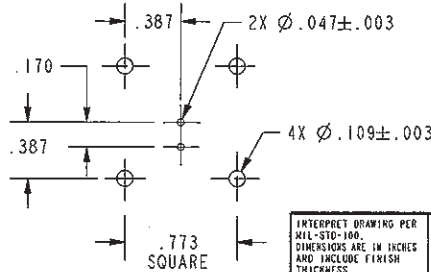
REVISIONS			
REV	DESCRIPTIONS	DATE	APPROVED
F	REVISED PER ECO 14566	5/29/02	WJ



**RED INDICATES ORIGINAL**

- 1. PRE-TINNED, .0015 MAXIMUM THICKNESS WITH SN63 OR EQUIV SOLDER, PER QQ-S-571, TO WITHIN .060 MAXIMUM OF SHOULDER, AFTER PLATING
- 2. FINISH: TFS-1A (NICKEL)
- 3. PARKER SEAL NO. 2-021S604-70 (.926 GLAND ID)
- 4. MAX PANEL THK .250 (WITH 2 FULL THD EXPOSED)
- 5. MAX BOARD THK .190
- 6. INTERFACE: TCS-BJ80
- 1. CONCENTRIC TWINAX/TRIAX, SERIES TRC, CIRCUIT BOARD/BULKHEAD JACK

NOTES: UNLESS OTHERWISE SPECIFIED.



INTERPRET DRAWING PER MIL-STD-100. DIMENSIONS ARE IN INCHES AND INCLUDE FINISH THICKNESS UNLESS OTHERWISE SPECIFIED.		TOL: UNLESS SPECIFIED. .XX $\pm .02$ .XXX $\pm .005$ ANGLE $\pm 1^\circ$			
DRN	JCM	5-28-02	MATERIAL:		TITLE:
CHK	WJ	5/29/02	FINISH:		CBBJ82/CBBJ823
QUALITY	WJ	5/29/02	SEE NOTE 2		SIZE
APPROVED	WJ	5/29/02	A		CAGE CODE
PROTECTIVE NO.	3-0041		DO NOT SCALE DNG		DRAWING NO.
NEXT ASSY			SCALE		REV.
			2/1		F
			DATE		DATE
			7-12-79		SHEET
					1C