

## Excellent Integrated System Limited

Stocking Distributor

Click to view price, real time Inventory, Delivery & Lifecycle Information:

[Cinch Connectivity Solutions](#)

[CBJ370](#)

For any questions, you can email us directly:

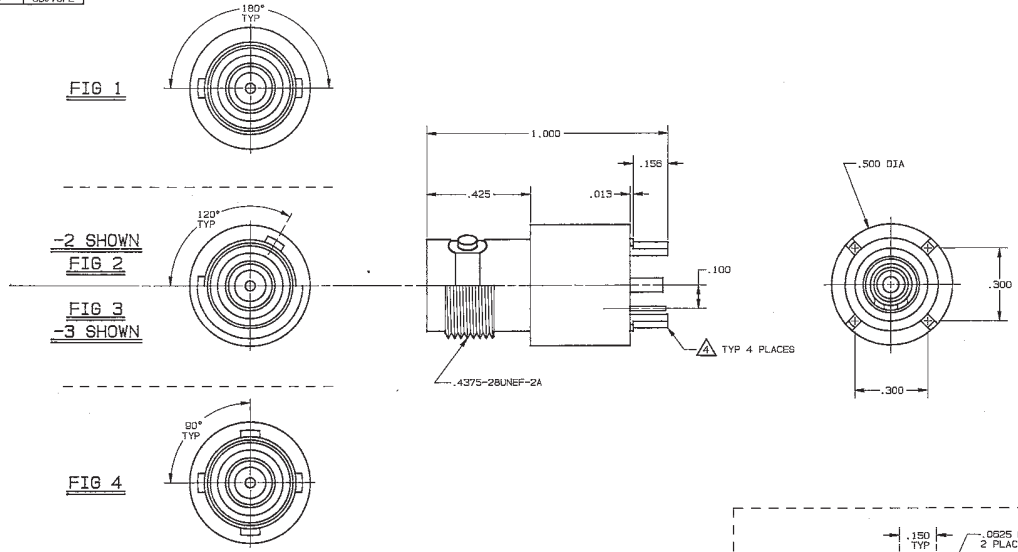
[sales@integrated-circuit.com](mailto:sales@integrated-circuit.com)

DATA CONTAINED IN THIS DOCUMENT IS PROPRIETARY TO TROMPETER ELECTRONICS, INC. AND SHALL NOT BE REPRODUCED OR TRANSMITTED IN ANY FORM OR BY ANY MEANS, ELECTRONIC OR MECHANICAL, WITHOUT EXPRESS WRITTEN PERMISSION.		REVISIONS		3-0003	SH 1
REV	ED	DESCRIPTION	DWN	APPROVED	DATE
A	8534	ADDED NOTE $\Delta$ : DWG NO WAS 3000-0003; REDRAWN	DKC	<i>[Signature]</i>	2.22.88

DASH NO	FIG NO	CONN TYP	MODEL NO
-1	1	2-LUG	CB370FL
-2	2	3-LUG	CB370
-3	3	THREADED	CB370
-4	4	4-LUG	CB370FL

INCH	MM
.0010	0.03
.0015	0.04
.0025	0.13
.013	0.33
.060	1.52
.0625	1.59
.0700	1.78
.100	2.54
.150	3.81
.156	3.96
.300	7.62
.425	10.80
.500	12.70
1.000	25.40

RED INDICATES ORIGINAL

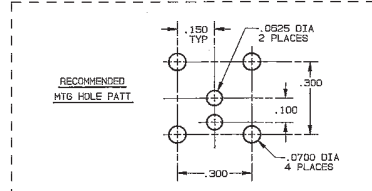


$\Delta$  PRE-TINNED, .0015 MAXIMUM THICKNESS WITH SN63 OR EQUIV SOLDER, PER 99-8-571, TO WITHIN .050 MAXIMUM OF SHOULDER, AFTER PLATING

3. 2/3/4 LUG & THREADED CONCENTRIC TWINAX / TRIAx CIRCUIT BOARD MOUNT RECEPTACLE

2. FINISH: TFS-1A (NICKEL)

1. ALL DIM ARE IN INCHES



QTY	DESCRIPTION	PART NUMBER	ITEM
1	CONN TRT STR PCB	CB370/TL/PL/370	

TOL UNLESS SPECIFIED  
 .XX ± .005  
 .XXX ± .010  
 .XXXX ± .010  
 .XXXXX ± .010  
 .XXXXXX ± .010

DWN | DKC | 17-14-88 | MATERIAL | CODE IDENT | DRAWING NO. | REV  
 CRK | DJL | R | 14949 | 3-0003 | A  
 ENGR | DJL | 12/18/87  
 APPR | DJL | 12/18/87 | SCALE 4/1 | DATE 12-16-88 | SHEET 1 OF 2