

## Excellent Integrated System Limited

Stocking Distributor

Click to view price, real time Inventory, Delivery & Lifecycle Information:

[Cinch Connectivity Solutions](#)

[J11D](#)

For any questions, you can email us directly:

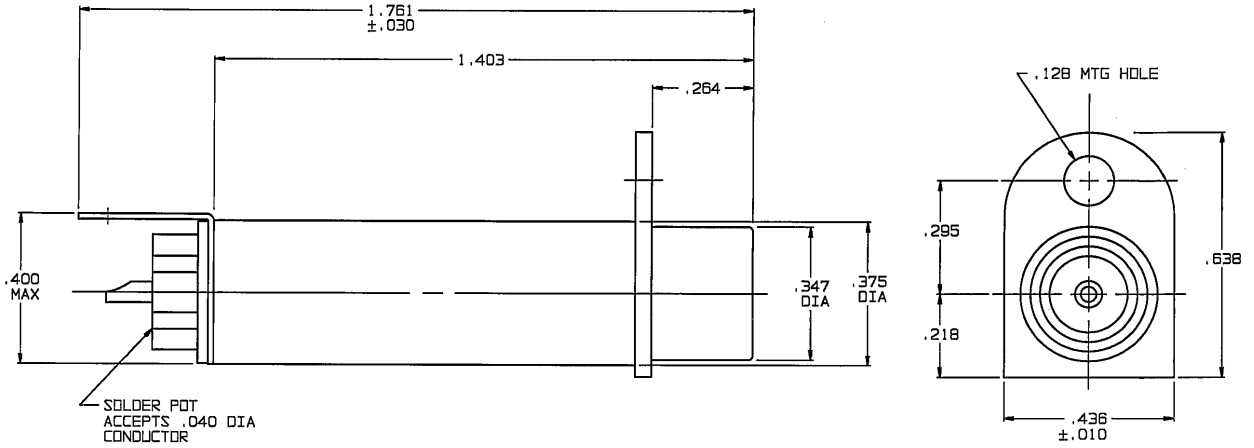
[sales@integrated-circuit.com](mailto:sales@integrated-circuit.com)

# RED INDICATES ORIGINAL

INCH	MM
.005	0.13
.010	0.25
.030	0.76
.040	1.02
.128	3.25
.218	5.54
.264	6.71
.295	7.49
.296	7.52
.347	8.81
.375	9.53
.400	10.16
.436	11.07
.638	16.21
1.403	35.64
1.761	44.73

DWG SIZE: B  
 DATA CONTAINED IN THIS DOCUMENT IS PROPRIETARY TO TROMPETER ELECTRONICS, INC. AND SHALL NOT BE DISCLOSED, COPIED OR USED FOR PROCUREMENT OR MANUFACTURE WITHOUT EXPRESS WRITTEN PERMISSION.

REVISIONS			1-0335		SH 1
REV	ED	DESCRIPTION	DWN	APPROVED	DATE
H	11847	SH 2, ADDED NOTE [2]; NOTE [1] WAS "25 INCH-LB" TORQUE	DKC	<i>Fee</i>	3/19/97



4. 75 OHM COAXIAL AT & T MINIATURE (.296 SIZE) SOLDER POT PATCH RECEPTACLE
3. INTERFACE: TFS-7
2. FINISH: TFS-1A (NICKEL)
1. ALL DIM ARE IN INCHES

QTY	DESCRIPTION		PART NUMBER	ITEM
	TOL UNLESS SPECIFIED .XX ± .XXX ± .005 XXXX ± ANGLE ±		<b>TROMPETER ELECTRONICS, INC.</b>	J11D
DWN	DKC	3-10-97	MATERIAL	CODE IDENT
CHK	<i>DKC</i>	3-11-97	14949	DRAWING NO.
ENGR				1-0335
APPR	<i>DKC</i>	3/13/97	SCALE 4/1	DATE 10/5/67
NEXT ASSY	APPR			SHEET 1 OF 2