

Excellent Integrated System Limited

Stocking Distributor

Click to view price, real time Inventory, Delivery & Lifecycle Information:

[Cinch Connectivity Solutions](#)
[PL130C-F3](#)

For any questions, you can email us directly:

sales@integrated-circuit.com

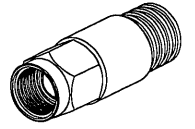


| DASH NO | A DIM | CABLES ACCOMODATED | ASSEMBLY INSTRUCTION |
|---------|-------|---|----------------------|
| -F1 | .360 | COMMSCOPE 6 SERIES QUAD (P/N 5740) (P/N F6SSVV) | TAI-214 |
| -F2 | .324 | BELDEN 6 SERIES (P/N 82120) (P/N 9114) | |
| -F3 | .360 | COMMSCOPE 59 SERIES (P/N S 59 HEC) | |

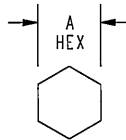
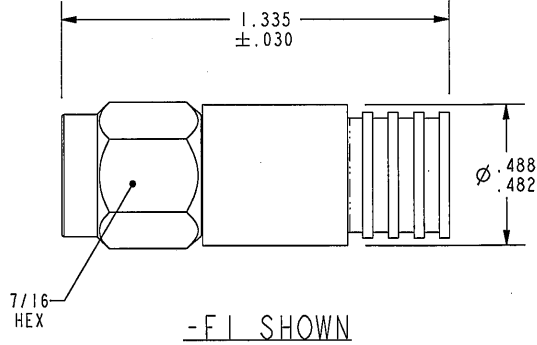
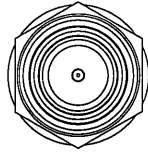
DATA CONTAINED IN THIS DOCUMENT IS PROPRIETARY TO TROMPETER ELECTRONICS INC. AND SHALL NOT BE DISCLOSED, COPIED OR USED FOR PROCUREMENT OR MANUFACTURE WITHOUT EXPRESS WRITTEN PERMISSION.

| REV | | DESCRIPTIONS | DATE | APPROVED |
|-----|--|-----------------------|---------|----------|
| F | | REVISED PER ECO 14594 | 7-16-02 | AM |

RED INDICATES ORIGINAL



SCALE 1/1



RECOMMENDED
HEX CRIMP
SCALE 1/1

3. EXAMPLE OF COMPLETE MODEL NUMBER

PL130C - F1
 BASIC MODEL NUMBER | CABLE GROUP NUMBER

2. 75 OHM MALE TYPE "F" COAXIAL CABLE PLUG

- FINISH: TFS-1U (NICKEL) (BODY)
TFS-1B 2G (GOLD) (PIN CONTACT)

NOTES: UNLESS OTHERWISE SPECIFIED.

| | | | | | |
|---|-----------|--|---------------|---------------------------|--|
| INTERPRET DRAWING PER MIL-STD-100. DIMENSIONS ARE IN INCHES AND INCLUDE FINISH THICKNESS UNLESS OTHERWISE SPECIFIED. | | TOL: UNLESS SPECIFIED. .25 ±.01 .125 ±.005 .0125 ±.0010 ANGLE ± 1° 00' CRITICAL | | | |
| DRN AAH 7-12-02 CHK JLM 7-12-02 QUALITY 7-15-02 HANDLED SP 7/15/02 APPROVED [Signature] 7/15/02 PROTECT FILE NO. | MATERIAL: | | TITLE: PL130C | | |
| NEXT ASSY 1-0542 | | DO NOT SCALE DWG | | SIZE A 14949 SCALE 2/1 | DRAWING NO. 1-0542 DATE 5-15-96 SHEET 1C |