

Excellent Integrated System Limited

Stocking Distributor

Click to view price, real time Inventory, Delivery & Lifecycle Information:

[Cinch Connectivity Solutions](#)

[PL155AC-306](#)

For any questions, you can email us directly:

sales@integrated-circuit.com

RED INDICATES ORIGINAL

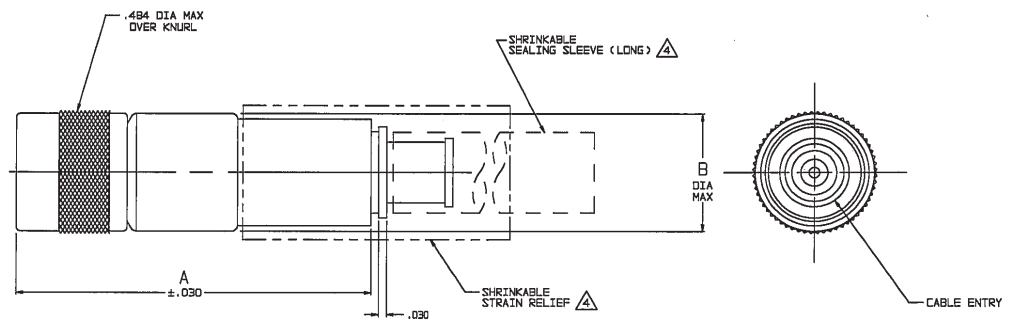
DASH NO	CABLES ACCOMMODATED	A DIM	B DIA	C HEX	ASSEMBLE PER
-201	M17/178-00002				
-202	TWC-79-1				
-203	TWC-124-1A	1.116	.398	.255	TAI-143
-204	10802, RAYCHEM				
-205	TWAC-78-1F2				
-206	782600130, RAYCHEM				
-207	93310 BELDEN	1.322	.442	.344	TAI-167
-208	202-3927 MICRODOT				
-209	202-3942 MICRODOT	1.116	.398	.255	TAI-143
-210	9451 BELDEN				
-211	202-9934 MICRODOT				
-212	2524E0114, RAYCHEM				
-213	TWC-78-2	1.322	.442	.344	TAI-144
-214	TWC-124-2				
-215	BL-982 TIMES				
-216	BL-1242 TIMES				
-217	GC87STM24H, GRUMMAN				
-218	EPD 22188B, RAYCHEM				
-219	252601114, RAYCHEM				
-220	GC875RR1, GRUMMAN	1.116	.398	.255	TAI-143
-221	10814, RAYCHEM				
-222	10813, RAYCHEM				
-223	HMS2-1149, HUGHES				
-224	TWCP-124-3	1.322	.442	.344	TAI-144
-225	PSB59PL, PRIME STOCK				

DATA CONTAINED IN THIS DOCUMENT IS PROPRIETARY TO TROMPETER ELECTRONICS INC. AND SHALL NOT BE DISCLOSED, COPIED OR USED FOR REPRODUCTION OR MANUFACTURE WITHOUT EXPRESS WRITTEN PERMISSION.

REVISONS			310-0060		SH 1
REV	ED	DESCRIPTION	OWN	APPROVED	DATE
L	12321	ADDED -224 & -225; SEE ECD	DBN	<i>[Signature]</i>	12/19/98

DASH NO	CABLES ACCOMMODATED	A DIM	B DIA	C HEX	ASSEMBLE PER
-301	GC875GC1, GRUMMAN				
-302	GC875GB1, GRUMMAN	1.116	.398	.255	TAI-153
-303	S022ES111, RAYCHEM				
-304	7528A5314, RAYCHEM				
-305	M17/177-00001				
-306	M17/134-00002	1.322	.442	.344	TAI-173
-307	TRC-50-2				
-308	TRC-75-1				
-309	TRC-75-2				
-308	TRC-50-1	1.116	.398	.255	TAI-153

INCH	MM
.005	0.13
.030	0.76
.255	6.48
.398	10.11
.442	11.23
.484	12.29
.610	15.49
.750	19.05
.875	22.26
1.116	28.35
1.250	31.75
1.322	33.58
1.750	44.45



- 1 SHRINKABLE STRAIN RELIEF AND/OR SHRINKABLE SEALING SLEEVE SUPPLIED LOOSE AS FOLLOWS:
- a. CABLE GROUPS -207, -210 & -307:
 - 1 SHRINKABLE STRAIN RELIEF (1.00 LONG)
 - 1 SHRINKABLE SEALING SLEEVE (1.25 LONG)
 - b. CABLE GROUPS -201 THROUGH -206, -208, -209, -217 THROUGH -303 & -309:
 - 1 SHRINKABLE SEALING SLEEVE (1.25 LONG)
 - c. CABLE GROUPS -211 THROUGH -216, -305 & -308:
 - 1 SHRINKABLE STRAIN RELIEF (1.75 LONG)
3. 3-LUG SUBMINIATURE CONCENTRIC TWINAX (4 PIECE ASSY) AND TRIAX (6 PIECE ASSY), FULL CRIMP CABLE PLUG
2. FINISH: TFS-1A (NICKEL)
1. ALL DIM ARE IN INCHES

6. EXAMPLE OF COMPLETE MODEL NO:
 PL155AC -201

BASIC MODEL NO [] CABLE GROUP DASH NO []

5. EXAMPLE OF COMPLETE PART NO:
 310-0060 -201

BASIC PART NO [] CABLE GROUP DASH NO []



QTY	DESCRIPTION	PART NUMBER	ITEM
TD, UNLESS SPECIFIED			
.XX ± .05			
.XXX ± .005			
.XXXX			
ANGLES			
DWN DBN 2/13/98	MATERIAL	CODE IDENT	DRAWING NO.
CHK <i>[Signature]</i> 2/23/98		14049	310-0060
ENGR <i>[Signature]</i>			REV
APPR <i>[Signature]</i>			L
NEXT ASSY	SCALE 4/1	DATE 4-25-95	SHEET 1 OF 2