

Excellent Integrated System Limited

Stocking Distributor

Click to view price, real time Inventory, Delivery & Lifecycle Information:

[Cinch Connectivity Solutions](#)
[PL155ACFL-204](#)

For any questions, you can email us directly:
sales@integrated-circuit.com

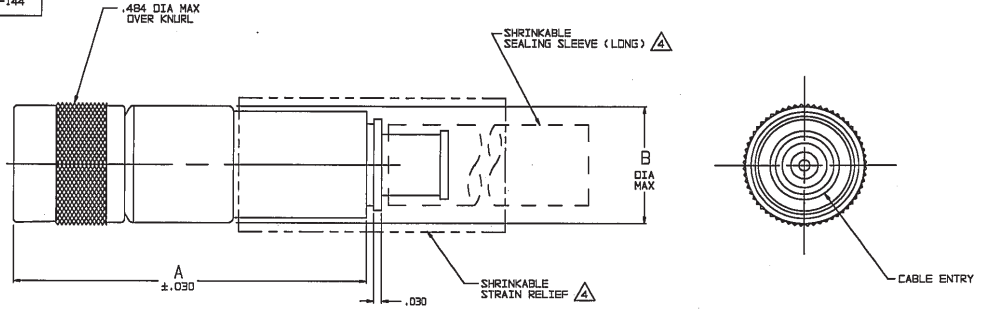
RED INDICATES ORIGINAL

DASH NO	CABLES ACCOMMODATED	A DIM	B DIA	C HEX	ASSEMBLE PER
-201	M17/178-00002				
-202	TWC-78-1				
-203	TWC-124-1A	1.116	.339	.255	TAI-143
-204	10802, RAYCHEM				
-205	TWAC-78-1F2				
-206	78280D130, RAYCHEM				
-207	63910 BELDEN	1.322	.442	.344	TAI-167
-208	202-3827 MICRODDOT	1.116	.339	.255	TAI-143
-209	202-3842 MICRODDOT				
-210	8451 BELDEN				TAI-167
-211	202-3834 MICRODDOT				
-212	2524E0114, RAYCHEM				
-213	TWC-78-2	1.322	.442	.344	TAI-144
-214	TWC-124-2				
-215	BL-682 TIMES				
-216	BL-1242 TIMES				
-217	GC875M24H, GRUMMAN				
-218	EPO 22168B, RAYCHEM				
-219	2526D1114, RAYCHEM				
-220	GC875RR1, GRUMMAN	1.116	.339	.255	TAI-143
-221	10814, RAYCHEM				
-222	10813, RAYCHEM				
-223	HMS2-114B, HUGHES				
-224	TWCP-124-3	1.322	.442	.344	TAI-144
-225	PS85EPL, PRIME STOCK				

REV		ED	DESCRIPTION	DWN	APPROVED	DATE
K	12388	ADDED	-224 & -225; SEE ECO	DBN	12/1/98	4-8-98

DASH NO	CABLES ACCOMMODATED	A DIM	B DIA	C HEX	ASSEMBLE PER
-301	GC875GCL, GRUMMAN				
-302	GC875G81, GRUMMAN	1.116	.339	.255	TAI-153
-303	5022ES111, RAYCHEM				
-304	7526A5314, RAYCHEM				
-305	M17/177-00001				
-306	295-3804 MICRODDOT				TAI-173
-307	TRC-50-2	1.322	.442	.344	TAI-168
-308	M17/134-00002				TAI-173
-309	TRC-75-1				TAI-168
-310	TRC-75-2				TAI-173
-311	TRC-50-1	1.116	.339	.255	TAI-153

INCH	MM
.005	0.13
.030	0.76
.255	6.48
.339	8.61
.344	8.74
.442	11.23
.484	12.26
1.00	25.40
1.116	28.35
1.25	31.75
1.322	33.58
1.75	44.45



- 1 SHRINKABLE STRAIN RELIEF AND/OR SHRINKABLE SEALING SLEEVE SUPPLIED LOOSE AS FOLLOWS:
- a. CABLE GROUPS -207, -210 & -307:
 - 1 SHRINKABLE STRAIN RELIEF (1.00 LONG)
 - 1 SHRINKABLE SEALING SLEEVE (1.25 LONG)
 - b. CABLE GROUPS -201 THROUGH -206, -208, -209, -217 THROUGH -223, -301, -302, -303 & -309:
 - 1 SHRINKABLE SEALING SLEEVE (1.25 LONG)
 - c. CABLE GROUPS -211 THROUGH -216, -305, -306 & -308:
 - 1 SHRINKABLE STRAIN RELIEF (1.75 LONG)
3. 4-LUG SUBMINIATURE CONCENTRIC TWINAX (4 PIECE ASSY) AND TRIAX (8 PIECE ASSY), FULL CRIMP CABLE PLUG
2. FINISH: TFS-1A (NICKEL)
1. ALL DIM ARE IN INCHES

-207 SHOWN

6. EXAMPLE OF COMPLETE MODEL NO:
 PL155ACFL-201

BASIC MODEL NO [] CABLE GROUP DASH NO []

5. EXAMPLE OF COMPLETE PART NO:
 310-0061-201

BASIC PART NO [] CABLE GROUP DASH NO []



QTY	DESCRIPTION	PART NUMBER	ITEM
TOL UNLESS SPECIFIED .XX ± .03 .XXX ± .005 ANGLES	TROMPETER RF connectivity	PL155ACFL	
DWN DBN 4/3/98	MATERIAL	LOOSE IDENT 14849	DRAWING NO. 310-0061
ENGR 1/2/98	APPR 4/7/98	REV K	DATE 6-6-95
NEXT ASSY	SCALE 4/1	DATE 6-6-95	SHEET 1 OF 2