

## Excellent Integrated System Limited

Stocking Distributor

Click to view price, real time Inventory, Delivery & Lifecycle Information:

[Cinch Connectivity Solutions](#)  
[TWCP-124-2](#)

For any questions, you can email us directly:

[sales@integrated-circuit.com](mailto:sales@integrated-circuit.com)

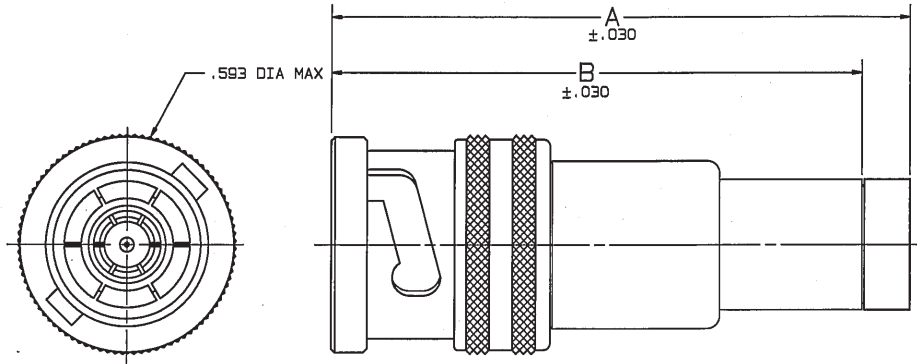
**RED INDICATES ORIGINAL**

TABLE 1				
DASH NO	CABLES ACCOMMODATED	ASSEMBLE PER	DIM "A"	DIM "B"
-201	M17176-00002	TAI-201	1.540	1.375
-202	TWC-78-1			
-203	TWC-124-1A			
-204	10602 RAYCHEM			
-205	TWAC-78-1F2			
-206	782600130 RAYCHEM			
-207	83310 BELDEN			
-208	202-3927 MICRODOT			
-209	202-3942 MICRODOT			
-210	8451 BELDEN			
-211	202-3934 MICRODOT			
-212	2524E011A RAYCHEM			
-213	TWC-78-2			
-214	TWC-124-2			
-215	BL982, TIMES			
-216	BL1242, TIMES			
-217	GC875TM24H GRUMMAN			
-218	EDP221888, RAYCHEM			
-219	2526D111A RAYCHEM			
-220	GC875RR1, GRUMMAN			
-221	10614, RAYCHEM			
-222	10613, RAYCHEM			
-223	HMS2-1149, HUGHES			
-224	TWCP-124-3			
-225	PS665PL, PRIME STOCK			
-226	TWCP-124-5	TAI-209	1.660	1.495

DWG SIZE: B  
 DATA CONTAINED IN THIS DOCUMENT IS PROPRIETARY TO TROMPETER ELECTRONICS, INC. AND SHALL NOT BE DISCLOSED, COPIED OR USED FOR PROCUREMENT OR MANUFACTURE WITHOUT EXPRESS WRITTEN PERMISSION.

REVISIONS			3-0288		SH 1
REV	ED	DESCRIPTION	DWN	APPROVED	DATE
C	11342	ADDED DIMENSIONS "A & B" TO TABLE 1; SEE ECO	DKC	<i>Bm: TJB</i>	10/25/95

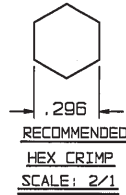
INCH	MM
.005	0.13
.030	0.76
.296	7.52
.593	15.06
1.375	34.93
1.495	37.97
1.540	39.12
1.660	42.16



5. EXAMPLE OF COMPLETE MODEL NO:  
 PL74MC - 201

BASIC MODEL NO. — CABLE GROUP  
 DASH NO (SEE TABLE 1)

3. CONCENTRIC TWINAX 2-LUG TRB, MILITARY FULL CRIMP CABLE PLUG
2. FINISH: TFS-1A (NICKEL)
1. ALL DIMENSIONS ARE IN INCHES



QTY	DESCRIPTION		PART NUMBER	ITEM
TOL UNLESS SPECIFIED .XX ± .005 .XXX ± .005 .XXXX ± .005 ANGLES ±			PL74MC	
DWN	DKC	10-12-95	MATERIAL	CODE IDENT
CHK	<i>Bm</i>	10-23-95		14949
ENGR				
APPR	<i>TJB</i>	10/25/95	SCALE 4/1	DATE 10-6-94
NEXT ASSY				SHEET 1 OF 2