

## Excellent Integrated System Limited

Stocking Distributor

Click to view price, real time Inventory, Delivery & Lifecycle Information:

[Taoglas Limited](#)  
[CAB.V12](#)

For any questions, you can email us directly:  
[sales@integrated-circuit.com](mailto:sales@integrated-circuit.com)



Close-up of CAB.V12

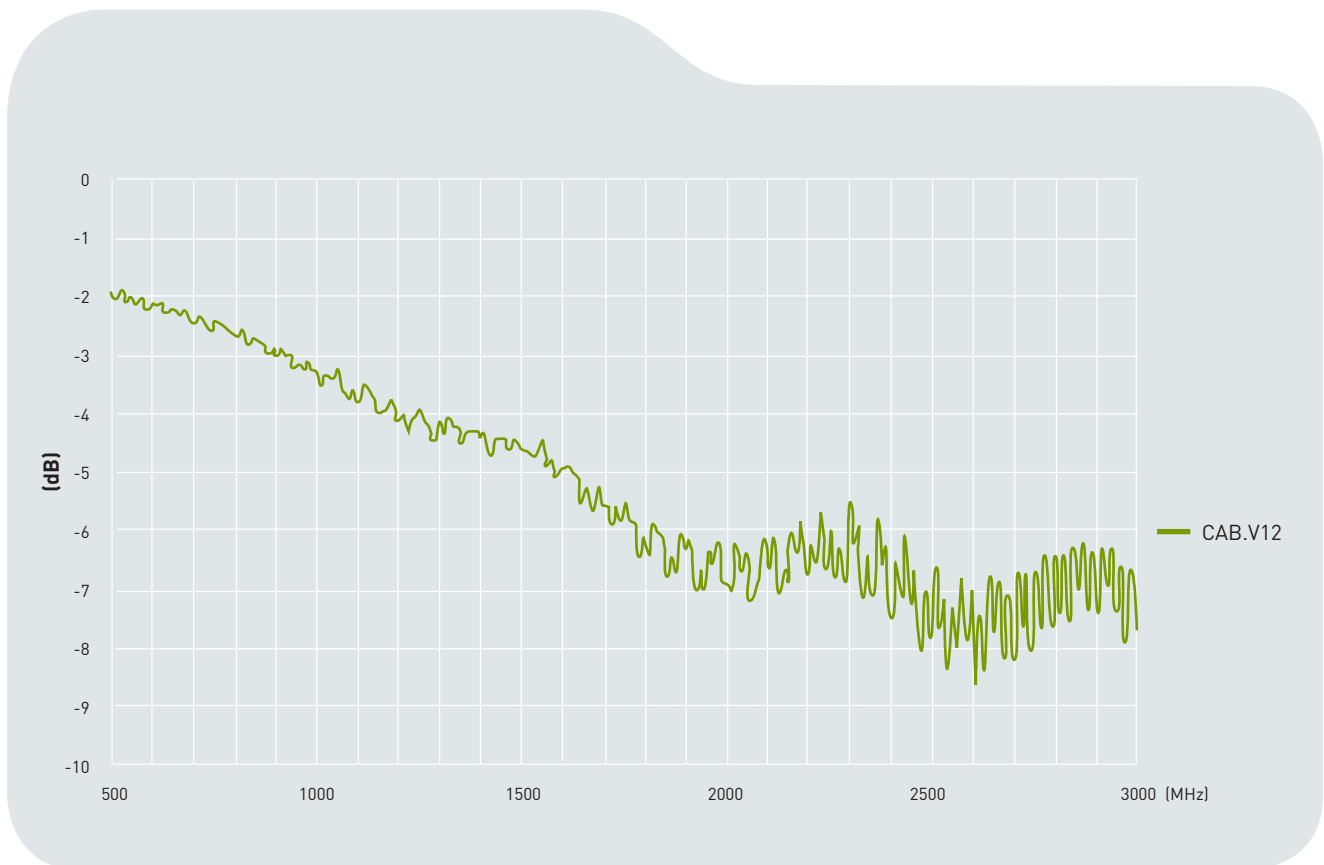
**CAB.V12**

## Specification

<b>Part No.</b>	<b>CAB.V12</b>
<b>Product Name</b>	<b>CAB.V12</b> Taoglas Cable Assembly NMO Direct Mount - 3/4 inch Hole Brass Mount type to FME (F) Straight Jack with 14ft (4267mm) RG-58U cable



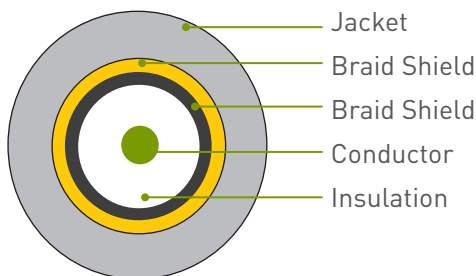
## 1. Cable Insertion Loss



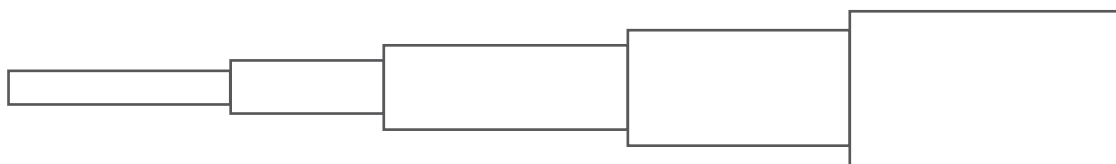


## 2. RG-58 Cable Specification

### 2.1 Drawing - Cross Section



### 2.2 Structure and Dimensions



<p><b>Conductor</b></p> <ul style="list-style-type: none"> <li>• Material - Bare Copper Wire</li> <li>• Composition (1/1.02mm)</li> <li>• Diameter - 1.02mm</li> </ul>	<p><b>Insulation</b></p> <ul style="list-style-type: none"> <li>• Material - Foam Polyethylene</li> <li>• Avg. Thickness - 0.95mm</li> <li>• Diameter - <math>2.9 \pm 0.1</math>mm</li> </ul>	<p><b>Braid Shield</b></p> <ul style="list-style-type: none"> <li>• Material - Aluminium Foil</li> <li>• Construction - 0.020mm</li> </ul>	<p><b>Braid Shield</b></p> <ul style="list-style-type: none"> <li>• Material - Tinned Copper Wire</li> <li>• Structure - 16/6/0.12mm</li> <li>• Coverage - 87%</li> <li>• Diameter - <math>3.4 \pm 0.05</math>mm</li> </ul>	<p><b>Jacket</b></p> <ul style="list-style-type: none"> <li>• Material - RoHS PVC</li> <li>• Diameter - <math>5.0 \pm 0.15</math>mm</li> <li>• Colour - Black</li> </ul>
--	---	--	---	--



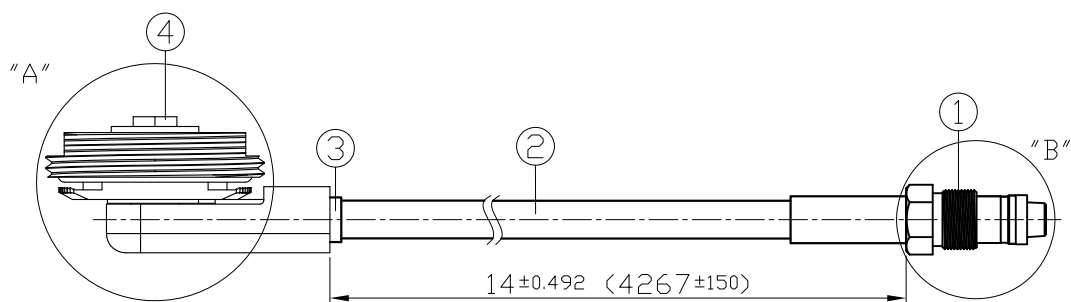
## 2.3 Electrical & Physical Specification

### Specification

<b>Insulation Resistance:</b>	1000 MΩ-Km (Min)				
<b>Capacitance</b>	83 ± 3 pF/m				
<b>Nom. Impedance</b>	53 ± 3 Ω				
<b>Attenuation</b> (dB/100ft)	200MHz	400MHz	700MHz	900MHz	1000MHz
	4.66	6.32	8.45	9.67	10.2

## 3. Technical Drawing

### 3.1 CAB.V12



	Name	Material	Finish	QTY
1	FME(F) ST	Brass	Ni Plated	1
2	RG58 Coaxial Cable	PVC	Black	1
3	Heat Shrink Tube	PE	Black	1
4	NMO(DM)	Brass	Gold	1



### 3.2 Connectors

