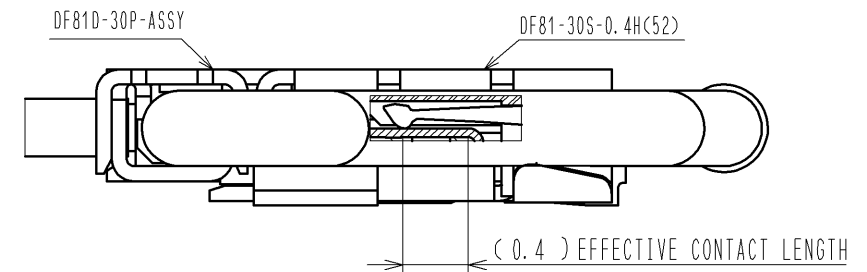


MICRO COAXIAL CABLE AWG#36~AWG#46  
DISCRETE CABLE AWG#34~AWG#40

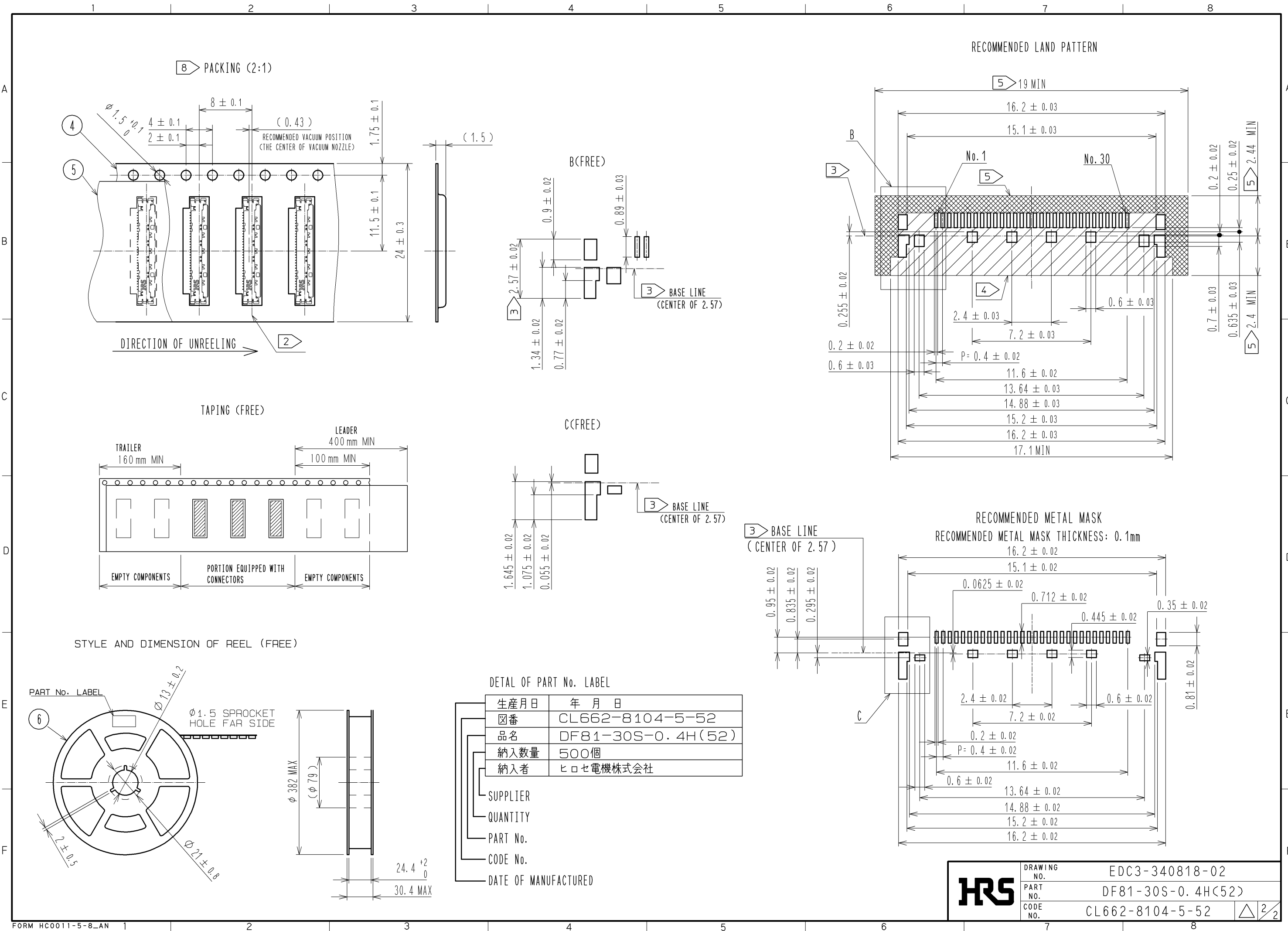
MATING FIGURE (20:1)



NOTES 1. LEAD CO-PLANARITY SHALL BE 0.1mmMAX.

- 2 DIRECTED CENTER LINE INDICATES THE CENTER OF 2.75±0.2 WHICH IS CONNECTOR DIMENSION. IT CORRESPONDS WITH THE CENTER LINE OF ENBOSSED POCKET.
- 3 DIRECTED CENTER LINE INDICATES THE CENTER OF 2.57±0.02 WHICH IS RECOMMENDED LAND PATTERN DIMENSION. IT IS THE BASE LINE OF RECOMMENDED LAND PATTERN DIMENSION AND RECOMMENDED METAL MASK DIMENSION. IT CORRESPONDS WITH THE CENTER OF 2.37±0.2 WHICH IS CONNECTOR DIMENSION.
- 4 CONDUCTIVE CIRCUIT ON THIS SURFACE REQUIRES THE COVERAGE WITH RESIST.
- 5 IT INDICATES PROHIBITION AREA OF MOUNTING. IF PARTS WERE MOUNTED ON THIS AREA, THE LOCK OF CONNECTOR BECOMES DISABLED BECAUSE MOUNTED PARTS INTERFERE WITH THE LATCH OF PLUG.
- 6. PER REEL : 500 COMPONENTS.
- 7. THE DIMENSIONS IN PARENTHESES ARE FOR REFERENCE.
- 8 REFER TO JIS 0806. (PACKING OF COMPONENTS FOR AUTO HANDRING)

2	LCP	UL94V-0, BLACK	6	PS	BLACK		
1	PHOSPHOR BRONZE	CONTACT AREA : Au PLATING 0.1μm MIN. LEAD AREA : Au PLATING 0.05μm MIN. UNDER PLATING : Ni PLATING 1μm MIN.	5	POLYESTER	CLEAR		
			4	PS	CLEAR		
			3	SUS	CONTACT AREA : Au PLATING 0.05μm MIN. LEAD AREA : Au PLATING 0.05μm MIN. UNDER PLATING : Ni PLATING 0.2μm MIN.		
NO.	MATERIAL	FINISH, REMARKS	NO.	MATERIAL	FINISH, REMARKS		
UNITS	⊙	SCALE	COUNT	DESCRIPTION OF REVISIONS	DESIGNED	CHECKED	DATE
mm		5 : 1	△				
<b>HRS</b> HIROSE ELECTRIC CO., LTD.		APPROVED : MH. YAMANE	13.11.26	DRAWING NO. EDC3-340818-02			
		CHECED : MH. TSUCHIDA	13.11.25	PART NO. DF81-30S-0.4H(52)			
		DESIGNED : AH. MIYAZAKI	13.11.12	CODE NO. CL662-8104-5-52			
		DRAWN : AH. MIYAZAKI	13.11.12			△ 1/2	



<b>HRS</b>	DRAWING NO.	EDC3-340818-02
	PART NO.	DF81-30S-0.4H(52)
	CODE NO.	CL662-8104-5-52
		△ 2/2