

Excellent Integrated System Limited

Stocking Distributor

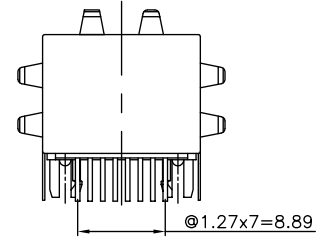
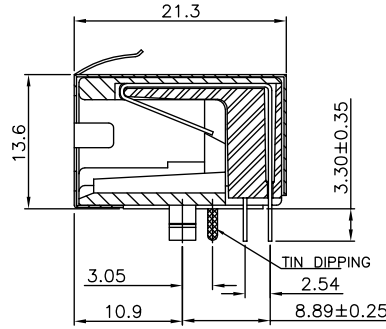
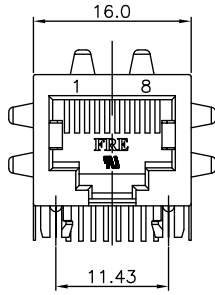
Click to view price, real time Inventory, Delivery & Lifecycle Information:

[Pulse Electronics Corporation](#)
[E6588-52L184-L](#)

For any questions, you can email us directly:

sales@integrated-circuit.com

REVISION RECORD		
REV.	DESCRIPTION	DRFT



NOTES:

ELECTRICAL:

- VOLTAGE RATING : 125VAC RMS.
- CURRENT RATING : 1.5 AMP.
- CONTACT RESISTANCE : 40 MILLIOHMS MAX.
- INSULATION RESISTANCE: 1000 MEGOHMS MIN @ 500 VDC.
- DIELECTRIC STRENGTH : 1000 VDC RMS 60Hz, 1MIN.
- CATEGORY 5 CHARACTERISTIC:

Frequency	Near-End Cross Talk dB, MIN.	Return Loss dB, MIN.	Attenuation dB, MAX.
1.0 MHZ	65	23	0.1
4.0 MHZ	65	23	0.1
8.0 MHZ	62	23	0.1
10.0 MHZ	60	23	0.1
16.0 MHZ	56	23	0.2
20.0 MHZ	54	23	0.2
25.0 MHZ	52	14	0.2
31.25 MHZ	50	14	0.2
62.5 MHZ	44	14	0.3
100.0 MHZ	40	14	0.4

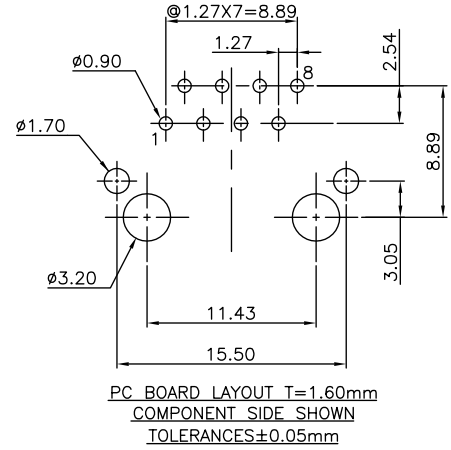
MECHANICAL:

- HOUSING MATERIAL : GLASS FIBER FILLED NYLON UL94V-0,COLOR-BLACK
- CONTACT MATERIAL : PHOSPHOR BRONZE t=0.35mm.
- PLATING : GOLD PLATING OVER NICKEL.
- SHIELD MATERIAL : BRASS C2680H, NICKEL PLATING.
- OPERATING LIFE : 750 CYCLES MIN.
- PCB RETENTION PRE-SOLDER : 1 LB MIN.
- PCB RETENTION POST-SOLDER: 10 LBS MIN.

ENVIRONMENTAL:

- STORAGE : -40°C TO +85°C.
- OPERATION: -40°C TO +85°C.
- WAVE SOLDERING TEMPERATURE: 255°C~265°C (5~10 SECONDS).
- RoHS COMPLIANT.

MATES WITH MODULAR PLUG CONFORMING TO FCC PART 68, SUBPART F.
CUL FILE NO. E163191



E6588-52L184-L	30u"
PART NO.	Au PLATING

		RoHS Compliant			
TOLERANCES EXCEPT AS NOTED MM ± .00 ± 0.25 ± .000 ± 0.10		TITLE CAT.5 SHIELDED PCB JACK			
ANGLES ± 1° 		DFTO : ELIA	DRAWING NO. CE6588-52L18X-L	SIZE A3	REV 0
THIRD ANGLE PROJECTION		DATE : 07/24/2012	/PART NO. E6588-52L184-L	DO NOT SCALE DRAWING	
SCALE : 2.5:1		SHEET 1 OF 1			