

## **Excellent Integrated System Limited**

Stocking Distributor

Click to view price, real time Inventory, Delivery & Lifecycle Information:

[Bourns Inc.](#)  
[PN-DESIGNKIT-46](#)

For any questions, you can email us directly:  
[sales@integrated-circuit.com](mailto:sales@integrated-circuit.com)



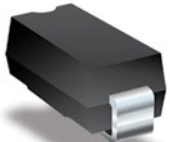
**PORTNOTE**<sup>®</sup>  
SOLUTIONS

# Satellite Receiver RF Input Surge Protection

## Solution Products



2051-09-SM-RPLF



SMCJ20A/SMLJ20A



CC453232-1R0KL

## Design Kit



PN-DESIGNKIT-46

## Objective

This solution is designed to offer surge protection to the RF input port from a set-top box to a satellite dish. Lightning strikes or near strikes to the building can damage the delicate RF port and the power supply which is fed to the dish.

## Solution Option 1

1 TVS Diode: SMCJ20A

## Option 2

1 TVS Diode: SMLJ20A

## Option 3

1 TVS Diode: SMCJ20A

1 GDT: 2051-09-SM-RPLF

1 Wirewound Chip Inductor: CC453232-1R0KL

## Compliance

IEC 61000-4-5:

SMCJ20A alone: 8/20  $\mu$ s surge 150 A

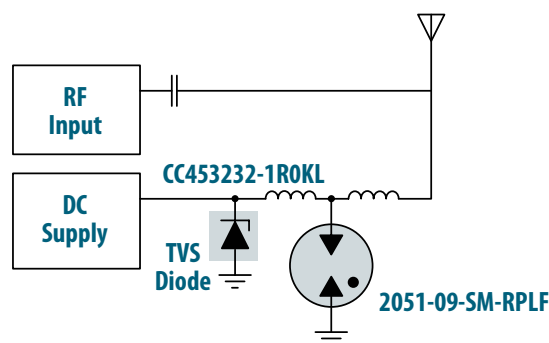
SMLJ20A alone: 8/20  $\mu$ s surge 400 A

SMCJ20A & 2051-09-SM & CC453232:

8/20  $\mu$ s surge 2 kA

## Benefit

This solution provides a low height, high current solution to exposed set-top box applications.



The schematic above illustrates the application protection and does not constitute the complete circuit design. Customers should verify actual device performance in their specific applications.

**BOURNS**<sup>®</sup>

Americas: Tel +1-951 781-5500  
Fax +1-951 781-5700

EMEA: Tel +36 88 520 390  
Fax +36 88 520 211

Asia-Pacific: Tel +886-2 256 241 17  
Fax +886-2 256 241 16

Bourns<sup>®</sup> PortNote<sup>®</sup> solutions provide protection recommendations for typical port threats.

For more information, go to:

[www.bourns.com](http://www.bourns.com)

or email: [protection@bourns.com](mailto:protection@bourns.com)