

Excellent Integrated System Limited

Stocking Distributor

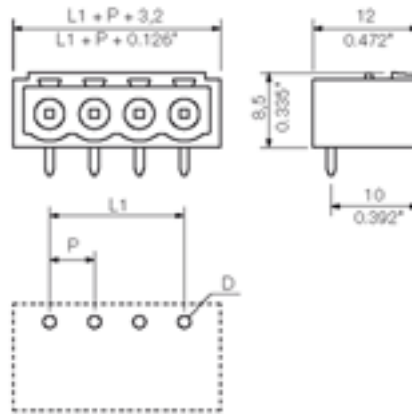
Click to view price, real time Inventory, Delivery & Lifecycle Information:

[Weidmüller](#)
[1797120000](#)

For any questions, you can email us directly:

sales@integrated-circuit.com

Product catalogue | PCB connection systems | PCB plug-in connectors | Pitch 5.00 / 5.08 mm (0.197 / 0.200 inch) | Plug connectors, THR solder connection, pitch 5.00/5.08 | SL-SMT 5.00-5.08/90G | SL-SMT 5.00/90G Box



General ordering data

Order No.	1797120000
Part designation	SL-SMT5.00/6/90G 1.5SN
Version	PCB plug-in connector, Male connectors, Reflow solder connection, Pitch: 5.00 mm, No. of poles: 6, 90°, Box
EAN	4032248237906
Qty.	50 pc(s).

System parameters

Fitted to PCB	Reflow solder connection
Outgoing elbow	90°
Pitch	5 mm
Pitch in inch	0.197 inch
No. of poles	6
Solder pin length	1.5 mm
Can be coded	Yes
No. of rows	1
No. of solder pins per pole	1
Fitting hole tolerance	+ 0.1 mm
L1 in mm	25 mm
L1 in inch	0.984 inch
Insulation resistance	1 MΩ

Product catalogue | PCB connection systems | PCB plug-in connectors | Pitch 5.00 / 5.08 mm (0.197 / 0.200 inch) | Plug connectors, THR solder connection, pitch 5.00/5.08 | SL-SMT 5.00-5.08/90G | SL-SMT 5.00/90G Box

Material data

Insulating material	LCP GF
Colour	black
colour chart	Similar to RAL 9011
Insulating material group	IIIa
Flammability class UL 94	V-0
CTI	>= 175
Contact base material	CuSn
Contact surface	tinned
Constant operating temp., min.	-25 °C
Constant operating temp., max.	100
Storage temperature, min.	-25 °C
Storage temperature, max.	55 °C
Max. relative humidity during storage	80 %

DIN IEC rating data

Rated current, min. No. pins (Tu=20°C)	19 A
Rated current, max. No. pins (Tu=20°C)	15 A
Rated current, min. No. pins (Tu=40°C)	16 A
Rated current, max. No. pins (Tu=40°C)	13 A
Rated voltage for overvoltage class/pollution severity III/3	250 V
Rated impulse withstand voltage for overvoltage class/pollution severity III/3	4 kV
Rated voltage for overvoltage class/pollution severity III/2	320 V
Rated impulse withstand voltage for overvoltage class/pollution severity III/2	4 kV
Rated voltage for overvoltage class/pollution severity II/2	400 V
Rated impulse withstand voltage for overvoltage class/pollution severity II/2	4 kV

CSA rating data

Rated voltage (Use group D)	300 V
Rated current (Use group D)	10 A

UL 1059 rating data

Rated voltage (Use group D)	300 V
Rated current (Use group D)	10 A

Product catalogue | PCB connection systems | PCB plug-in connectors | Pitch 5.00 / 5.08 mm (0.197 / 0.200 inch) | Plug connectors, THR solder connection, pitch 5.00/5.08 | SL-SMT 5.00-5.08/90G | SL-SMT 5.00/90G Box

Approvals

Approvals institutes



Classifications

ETIM 2.0	NK
ETIM 3.0	EC001284
eClass 4.1	27-26-07-01
eClass 5.0	27-26-07-01
eClass 5.1	27-26-07-04

Similar products

Order No.	Part designation	Version
1797080000	SL-SMT5.00/2/90G 1.5SN	PCB plug-in connector, Male connectors, Reflow solder connection, Pitch: 5.00 mm, No. of poles: 2, 90°, Box
1840120000	SL-SMT5.00/2/90G 3.2SN SW BOX	PCB plug-in connector, Male connectors, Reflow solder connection, Pitch: 5.00 mm, No. of poles: 2, 90°, Box
1797090000	SL-SMT5.00/3/90G 1.5SN	PCB plug-in connector, Male connectors, Reflow solder connection, Pitch: 5.00 mm, No. of poles: 3, 90°, Box
1840130000	SL-SMT5.00/3/90G 3.2SN SW BOX	PCB plug-in connector, Male connectors, Reflow solder connection, Pitch: 5.00 mm, No. of poles: 3, 90°, Box
1797100000	SL-SMT5.00/4/90G 1.5SN	PCB plug-in connector, Male connectors, Reflow solder connection, Pitch: 5.00 mm, No. of poles: 4, 90°, Box
1840140000	SL-SMT5.00/4/90G 3.2SN SW BOX	PCB plug-in connector, Male connectors, Reflow solder connection, Pitch: 5.00 mm, No. of poles: 4, 90°, Box
1797110000	SL-SMT5.00/5/90G 1.5SN	PCB plug-in connector, Male connectors, Reflow solder connection, Pitch: 5.00 mm, No. of poles: 5, 90°, Box
1840150000	SL-SMT5.00/5/90G 3.2SN SW BOX	PCB plug-in connector, Male connectors, Reflow solder connection, Pitch: 5.00 mm, No. of poles: 5, 90°, Box
1840160000	SL-SMT5.00/6/90G 3.2SN SW BOX	PCB plug-in connector, Male connectors, Reflow solder connection, Pitch: 5.00 mm, No. of poles: 6, 90°, Box
1797130000	SL-SMT5.00/7/90G 1.5SN	PCB plug-in connector, Male connectors, Reflow solder connection, Pitch: 5.00 mm, No. of poles: 7, 90°, Box
1840170000	SL-SMT5.00/7/90G 3.2SN SW BOX	PCB plug-in connector, Male connectors, Reflow solder connection, Pitch: 5.00 mm, No. of poles: 7, 90°, Box
1797140000	SL-SMT5.00/8/90G 1.5SN	PCB plug-in connector, Male connectors, Reflow solder connection, Pitch: 5.00 mm, No. of poles: 8, 90°, Box

Product catalogue | PCB connection systems | PCB plug-in connectors | Pitch 5.00 / 5.08 mm (0.197 / 0.200 inch) | Plug connectors, THR solder connection, pitch 5.00/5.08 | SL-SMT 5.00-5.08/90G | SL-SMT 5.00/90G Box

1840180000	SL-SMT5.00/8/90G 3.2SN SW BOX	PCB plug-in connector, Male connectors, Reflow solder connection, Pitch: 5.00 mm, No. of poles: 8, 90°, Box
1797150000	SL-SMT5.00/9/90G 1.5SN	PCB plug-in connector, Male connectors, Reflow solder connection, Pitch: 5.00 mm, No. of poles: 9, 90°, Box
1840190000	SL-SMT5.00/9/90G 3.2SN SW BOX	PCB plug-in connector, Male connectors, Reflow solder connection, Pitch: 5.00 mm, No. of poles: 9, 90°, Box
1797160000	SL-SMT5.00/10/90G 1.5SN	PCB plug-in connector, Male connectors, Reflow solder connection, Pitch: 5.00 mm, No. of poles: 10, 90°, Box
1840200000	SL-SMT5.00/10/90G 3.2SN SW BOX	PCB plug-in connector, Male connectors, Reflow solder connection, Pitch: 5.00 mm, No. of poles: 10, 90°, Box
1797170000	SL-SMT5.00/11/90G 1.5SN	PCB plug-in connector, Male connectors, Reflow solder connection, Pitch: 5.00 mm, No. of poles: 11, 90°, Box
1840210000	SL-SMT5.00/11/90G 3.2SN SW BOX	PCB plug-in connector, Male connectors, Reflow solder connection, Pitch: 5.00 mm, No. of poles: 11, 90°, Box
1797180000	SL-SMT5.00/12/90G 1.5SN	PCB plug-in connector, Male connectors, Reflow solder connection, Pitch: 5.00 mm, No. of poles: 12, 90°, Box
1840220000	SL-SMT5.00/12/90G 3.2SN SW BOX	PCB plug-in connector, Male connectors, Reflow solder connection, Pitch: 5.00 mm, No. of poles: 12, 90°, Box
1797190000	SL-SMT5.00/13/90G 1.5SN	PCB plug-in connector, Male connectors, Reflow solder connection, Pitch: 5.00 mm, No. of poles: 13, 90°, Box
1840230000	SL-SMT5.00/13/90G 3.2SN SW BOX	PCB plug-in connector, Male connectors, Reflow solder connection, Pitch: 5.00 mm, No. of poles: 13, 90°, Box
1797200000	SL-SMT5.00/14/90G 1.5SN	PCB plug-in connector, Male connectors, Reflow solder connection, Pitch: 5.00 mm, No. of poles: 14, 90°, Box
1840240000	SL-SMT5.00/14/90G 3.2SN SW BOX	PCB plug-in connector, Male connectors, Reflow solder connection, Pitch: 5.00 mm, No. of poles: 14, 90°, Box
1797210000	SL-SMT5.00/15/90G 1.5SN	PCB plug-in connector, Male connectors, Reflow solder connection, Pitch: 5.00 mm, No. of poles: 15, 90°, Box
1840250000	SL-SMT5.00/15/90G 3.2SN SW BOX	PCB plug-in connector, Male connectors, Reflow solder connection, Pitch: 5.00 mm, No. of poles: 15, 90°, Box
1797220000	SL-SMT5.00/16/90G 1.5SN	PCB plug-in connector, Male connectors, Reflow solder connection, Pitch: 5.00 mm, No. of poles: 16, 90°, Box
1840260000	SL-SMT5.00/16/90G 3.2SN SW BOX	PCB plug-in connector, Male connectors, Reflow solder connection, Pitch: 5.00 mm, No. of poles: 16, 90°, Box
1840270000	SL-SMT5.00/17/90G 3.2SN SW BOX	PCB plug-in connector, Male connectors, Reflow solder connection, Pitch: 5.00 mm, No. of poles: 17, 90°, Box
1840280000	SL-SMT5.00/18/90G 3.2SN SW BOX	PCB plug-in connector, Male connectors, Reflow solder connection, Pitch: 5.00 mm, No. of poles: 18, 90°, Box
1840290000	SL-SMT5.00/19/90G 3.2SN SW BOX	PCB plug-in connector, Male connectors, Reflow solder connection, Pitch: 5.00 mm, No. of poles: 19, 90°, Box
1840300000	SL-SMT5.00/20/90G 3.2SN SW BOX	PCB plug-in connector, Male connectors, Reflow solder connection, Pitch: 5.00 mm, No. of poles: 20, 90°, Box
1840310000	SL-SMT5.00/21/90G 3.2SN SW BOX	PCB plug-in connector, Male connectors, Reflow solder connection, Pitch: 5.00 mm, No. of poles: 21, 90°, Box
1840320000	SL-SMT5.00/22/90G 3.2SN SW BOX	PCB plug-in connector, Male connectors, Reflow solder connection, Pitch: 5.00 mm, No. of poles: 22, 90°, Box
1840330000	SL-SMT5.00/23/90G 3.2SN SW BOX	PCB plug-in connector, Male connectors, Reflow solder connection, Pitch: 5.00 mm, No. of poles: 23, 90°, Box
1840340000	SL-SMT5.00/24/90G 3.2SN SW BOX	PCB plug-in connector, Male connectors, Reflow solder connection, Pitch: 5.00 mm, No. of poles: 24, 90°, Box