

Excellent Integrated System Limited

Stocking Distributor

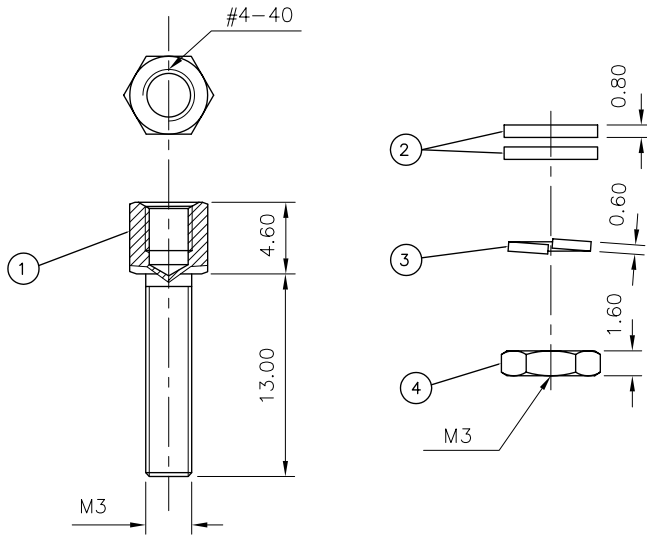
Click to view price, real time Inventory, Delivery & Lifecycle Information:

[Amphenol Commercial Products](#)
[L17D204182LM3EX](#)

For any questions, you can email us directly:

sales@integrated-circuit.com

This document is the property of Amphenol Corporation and is delivered on the express condition that it is not to be disclosed, reproduced or used, in whole or in part, for manufacture or sale by anyone other than Amphenol Corporation without its prior consent, and that no right is granted to disclose or to use any information in this document.



- ① SCREW
- ② WASHERS
- ③ LOCK WASHER
- ④ NUT



REVISIONS				
SYM	ECN	DESCRIPTION	DATE	APPROVED
A			09/19/07	

D-SUB TECHNICAL DATA

MATERIAL:

screwlock: steel,100u" min sn over

washer: steel,100u" min sn over 50u"

lock washer: steel,100u" min sn over 50u"

nut: steel,100u" min sn over 50u"

PACKAGE:

delivered separately

1 P/N = 10sets

MARKING:

Amphenol...(Series No.) Commercial reference

Manufacturing date

UNLESS OTHERWISE SPECIFIED		APPROVAL DATE		Amphenol
TOLERANCES		DRAWN: [Signature] 08/19/07		
	U.S.	METRIC	CHECKED: [Signature] 09/19/07	TITLE Accessory, screwlock with nut and washes
X	+/-	0.50		
XX	+/-	0.30		
XXX	+/-	0.20		
FRACTIONS				
ANGLES		+/-	2'	
FOR MATERIALS AND FINISHES		DRAWING FILE:		
SEE NOTES				
REMOVE SHARP EDGES		ANGLE OF PROJECTION		
DIMENSIONS		FIRST ANGLE		
U.S. INCHES		THIRD ANGLE		
METRIC MM				
SIZE	DRAWING NO.	REV.		
A4	C L17D204182LM3EX	A		
SCALE	NONE	SHEET	1 OF 1	