

## Excellent Integrated System Limited

Stocking Distributor

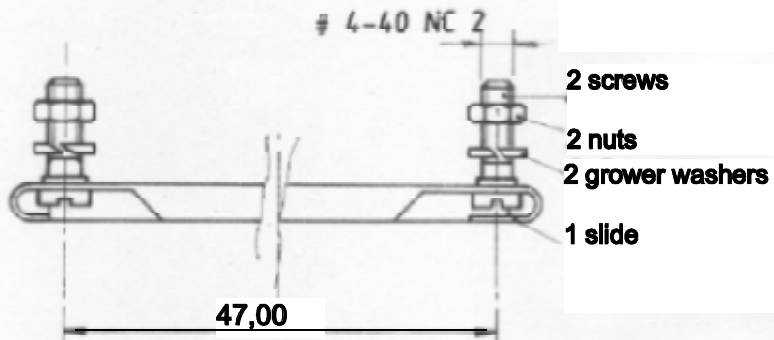
Click to view price, real time Inventory, Delivery & Lifecycle Information:

[Amphenol Commercial Products](#)

[L17D512211](#)

For any questions, you can email us directly:

[sales@integrated-circuit.com](mailto:sales@integrated-circuit.com)



Commercial part number :

L17D 51221 1

Kit for 1 connector per bag



**AMPHENOL**

Steel and brass

Scale : 2

Plating:  
Nickel

Drawn by GDU 01/09/06

D Sub

SLIDING LOCK SIZE B

L17D 51221 1

COTES avant / apres fin			<p><b>AMPHENOL</b></p> <p>Scale : 2</p> <p>Plating: Nickel</p> <p>20/80</p>
REPOUILLE COMPRISE DANS LA TOLERANCE			
VOLUME D'UNE PIECE			
SURFACE D'UNE PIECE			
EXCENTRATION SURUSU ET 631			<p>Steel and brass</p> <p>Scale : 2</p> <p>Plating: Nickel</p>
ENTREE			
IND.	MODIFICATIONS	DATE	
C	<i>mise à jour</i>	10-6	
B A	<i>renforcement des vis</i>	18-3	
B	<i>Ajouté emballage</i>	27-11-07	
DESIGNATION			