

## Excellent Integrated System Limited

Stocking Distributor

Click to view price, real time Inventory, Delivery & Lifecycle Information:

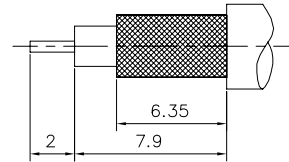
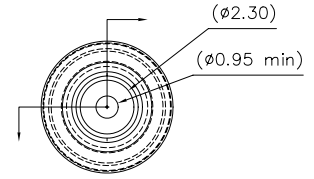
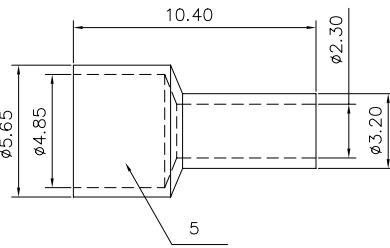
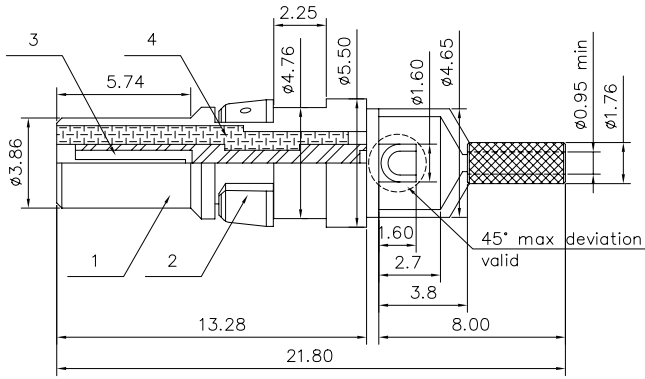
[Amphenol Commercial Products](#)  
[L17DM53740](#)

For any questions, you can email us directly:

[sales@integrated-circuit.com](mailto:sales@integrated-circuit.com)

This document is the property of Amphenol Corporation and is delivered on the express condition that it is not to be disclosed, reproduced or used, in whole or in part, for manufacture or sale by anyone other than Amphenol Corporation without its prior consent, & that no right is granted to disclose or to use any information in this document.

REVISIONS				
SYM	ECN	DESCRIPTION	DATE	APPROVED
1			10/20/08	



Trim cable

**MECHANICAL**

- 1. Materials: refer to the table
- 2. Finish: refer to the table
- 3. Center contact:

Insertion force: 340g max with ø1.04 plug  
 Withdrawal force: 14g min with ø0.99 plug

**ELECTRICAL :**

Impedance: 50 Ohms Nominal  
 Frequency Range: 0 to 2.0 GHz  
 Insulation Resistance: 5000 Megaohms Minimum  
 Contact Resistance: (Milliohms maximum)  
 Center Contact: 5.0  
 Outer Contact: 3.0  
 Voltage Standing Wave Ratio: 0 to 2.0 GHz

**ENVIRONMENTAL**

Operating Temperature range : -55 °C up to +125°C  
 Vibration: MIL-STD-202, Method 204, Test Condition D  
 Shock: MIL-STD-202, Method 213, Test Condition I  
 Corrosion Resistance: MIL-STD-202, Method 101, Test Conditon B



5	ferrule	brass, 4u" min. gold over 50u" min. nickel
4	insulator	PTFE, Color white
3	center contact	phosphor bronze, 30u" min. gold over 50u" min. nickel
2	ring	thermoplastic, Color black
1	outer contact	brass, 8u" min. gold over 50u" min. nickel

Sequence	Material	Remark
----------	----------	--------

UNLESS OTHERWISE SPECIFIED TOLERANCES		APPROVAL	DATE
U.S.	METRIC	DRAWN	10/20/08
.X	±0.15	CHECKED	10/20/08
.XX	±0.10	CHECKED	10/20/08
.XXX	±0.05		
FRACTIONS			
ANGLES	±2°		
FOR MATERIALS AND FINISHES SEE NOTES		DRAWING FILE :	
REMOVE SHARP EDGES		ANGLE OF PROJECTION	
DIMENSIONS			
U.S.	INCHES		
METRIC	MM		

Amphenol®

TITLE  
 Straight shielded contacts  
 Crimp ferrule

SIZE	DRAWING NO.	REV.
A4	C L17DM53740	1
SCALE	NONE	SHEET 1 OF 1