

Excellent Integrated System Limited

Stocking Distributor

Click to view price, real time Inventory, Delivery & Lifecycle Information:

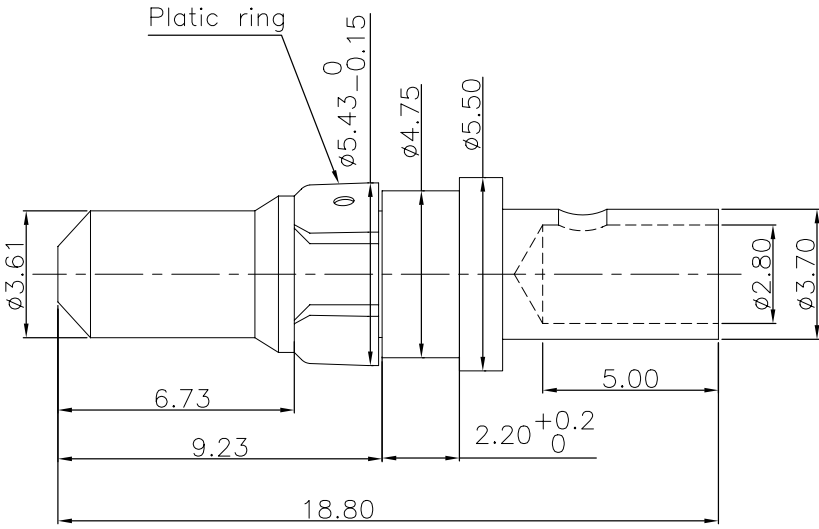
[Amphenol Commercial Products](#)
[L17DM53745217](#)

For any questions, you can email us directly:

sales@integrated-circuit.com

This document is the property of Amphenol Corporation and is delivered on the express condition that it is not to be disclosed, reproduced or used, in whole or in part, for manufacture or sale by anyone other than Amphenol Corporation without its prior consent, & that no right is granted to disclose or to use any information in this document.

REVISIONS				
SYM	ECN	DESCRIPTION	DATE	APPROVED
1			09/04/09	



Notes:

1. Material and finish
Body: CuZn36Pb3
30u" min gold plating over 50u" min nickel over all,tempering(heat-treat ment)
2. Technical characteristics
Peak voltage: 750V
Operating voltage: 500V
Temperature range: -55°C up to +125°C
Current capability 20 to 30 Amp
3. There should be no crack when crimping the cable on the crimping side
4. No burrs,no crack on the contact



Customer drawing

UNLESS OTHERWISE SPECIFIED		APPROVAL	DATE	Amphenol Amphenol East Asia Limited
TOLERANCES		DRAWN	09/04/09	
	U.S.	METRIC	CHECKED	TITLE
X	±	0.20	116.wang	Power contact with plastic ring
.XX	±	0.10		SIZE
.XXX	±	0.05		A4
FRACTIONS	±	Z'		DRAWING NO.
ANGLES	±	Z'		C L17DM53745-217
FOR MATERIALS AND FINISHES	DRAWING FILE :			REV.
SEE NOTES	REMOVE SHARP EDGES	ANGLE OF PROJECTION		1
	DIMENSIONS			SCALE
	U.S.	INCHES		NONE
	METRIC	MM		SHEET 1 OF 1