



Distributor of Amphenol Commercial Products: Excellent Integrated System Limited
Datasheet of L17HTHES4F1CVGA254 - D-Sub Connector Receptacle, Female Sockets 15
Position Through Hole, Right Angle Solder

Contact us: sales@integrated-circuit.com Website: www.integrated-circuit.com

Excellent Integrated System Limited

Stocking Distributor

Click to view price, real time Inventory, Delivery & Lifecycle Information:

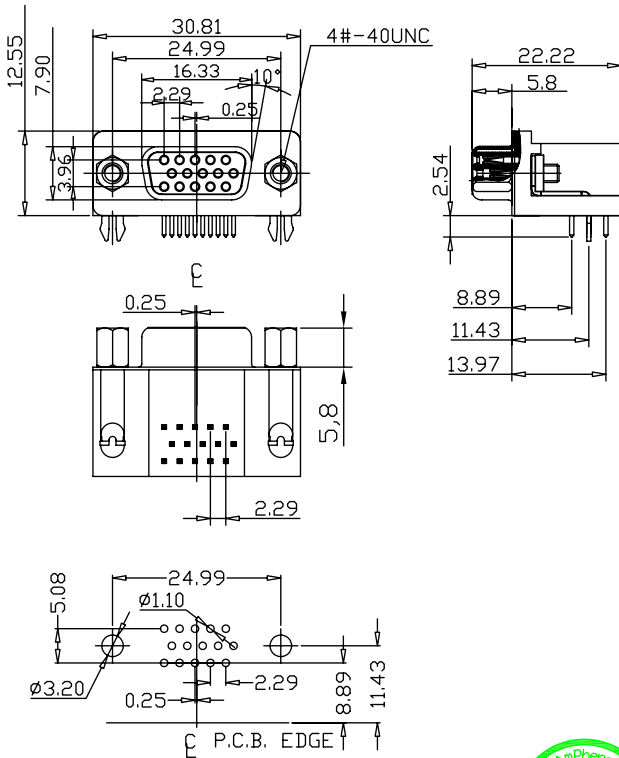
[Amphenol Commercial Products](#)
[L17HTHES4F1CVGA254](#)

For any questions, you can email us directly:

sales@integrated-circuit.com

This document is the property of Amphenol Corporation and is delivered on the express condition that it is not to be disclosed, reproduced or used, in whole or in part, for the manufacture or sale by anyone other than Amphenol Corporation without its prior consent, and that no right is granted to disclose or to use any information in this document.

Company: sales@integrated-circuit.com Website: www.integrated-circuit.com



RECOMMENDED P.C.B. LAYOUT

SPECIFICATIONS

ELECTRICAL CHARACTERISTICS:

Contact Current Rating: 1 Amperes.
 Dielectric Withstanding Voltage: AC 1000/60sec.r.m.s.
 Insulation Resistance:5000 Medohms Minimum.at DC 500V.
 Contact Resistance:25 Milliohms Maximum.
 Operating Temperature:-55°C to+105°C.

MATERIALS:

Contacts:Brass.
 Insulator: NYLON 9T UL 94V-0 Rated. Color:Blue
 Peak Temperature 260°C±5°C
 Shell:Cold Roller Steel.

FINISHES:

Contact:Gold Flash.
 Shell:Nickel Plated.



TOLERANCE (mm)	APPROVALS	DATE	TITLE	AMPHENOL	
X. ±0.3	DESIGN: LEON YU	01/Feb/2008	RIGHT ANGLE HIGH DENSITY ONNECTORS	Amphenol European Design Center	
X.X ±0.2	CHECKED: Eifc	01/Feb/2007		Scale N.A.	Sheet 1 of 1
X.XX ±0.15	APPROVED:				
UNLESS OTHERWISE SPECIFIED:	UNIT: mm		SIZE: DRAWING N°	L17HTHES4F1CVGA	REV. A