

## Excellent Integrated System Limited

Stocking Distributor

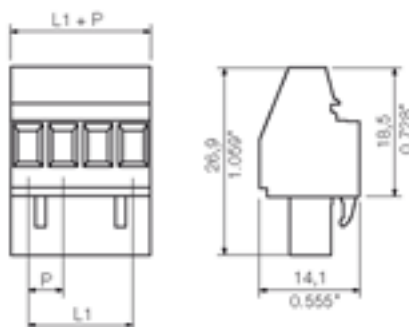
Click to view price, real time Inventory, Delivery & Lifecycle Information:

[Weidmüller](#)  
[1636020000](#)

For any questions, you can email us directly:

[sales@integrated-circuit.com](mailto:sales@integrated-circuit.com)

Product catalogue | PCB connection systems | PCB plug-in connectors | Pitch 5.00 / 5.08 mm (0.197 / 0.200 inch) | Socket connectors, tension clamp connection, pitch 5.00/5.08 | BLZ 5.00-5.08/90/270 | BLZ 5.00/90


**General ordering data**

Order No.	1636020000
Part designation	BLZ 5.00/10/90 SN OR
Version	PCB plug-in connector, Female connectors, Clamping yoke connection, Clamping range, max.: 3.31 mm <sup>2</sup> , Pitch: 5.00 mm, No. of poles: 10, 90°, Box
EAN	4008190265779
Qty.	36 pc(s).

**System parameters**

Conductor connection system	Clamping yoke connection
Outgoing direction of conductor	90°
Pitch	5 mm
Pitch in inch	0.197 inch
No. of poles	10
No. of rows	1
Screwdriver blade	0.6 x 3.5
Screwdriver blade standard	DIN 5264
Tightening torque, min.	0.4 Nm
Tightening torque, max.	0.5 Nm
Clamping screw	M 2.5
Stripping length	7 mm
L1 in mm	45 mm
L1 in inch	1.772 inch
Electric shock protection to DIN VDE 0470	IP 20
Electric shock protection to DIN VDE 0470	Safe from finger touch

**Material data**

Insulating material	PBT
Colour	orange
colour chart	Similar to RAL 2000
Insulating material group	IIIa
Flammability class UL 94	V-0
CTI	>= 200

**Material data**

Contact base material	Copper alloy
Contact surface	tinned

**Connectable conductors**

Clamping range, min.	0.13 mm <sup>2</sup>
Clamping range, max.	3.31 mm <sup>2</sup>
AWG, min.	26
AWG, max.	12
Solid, min. H05(07) V-U	0.5 mm <sup>2</sup>
Solid, max. H05(07) V-U	2.5 mm <sup>2</sup>
Flexible, min. H05(07) V-K	0.5 mm <sup>2</sup>
Flexible, max. H05(07) V-K	2.5 mm <sup>2</sup>
With wire end ferrule, acc. to DIN 46 228/1, min.	0.5 mm <sup>2</sup>
With wire end ferrule, acc. to DIN 46 228/1, max.	2.5 mm <sup>2</sup>
w. plastic collar ferrule, DIN 46228 pt 4, min.	0.5 mm <sup>2</sup>
w. plastic collar ferrule, DIN 46228 pt 4, max.	2.5 mm <sup>2</sup>
Gauge to EN 60999 a x b; ø	2.8 mm x 2.0 mm; 2.4 mm

**DIN IEC rating data**

Rated current, min. No. pins (Tu=20°C)	15 A
Rated current, max. No. pins (Tu=20°C)	12 A
Rated current, min. No. pins (Tu=40°C)	12 A
Rated current, max. No. pins (Tu=40°C)	10 A
Rated voltage for overvoltage class/pollution severity II/2	400 V
Rated voltage for overvoltage class/pollution severity III/2	320 V
Rated voltage for overvoltage class/pollution severity III/3	250 V
Rated impulse withstand voltage for overvoltage class/pollution severity II/2	4 kV
Rated impulse withstand voltage for overvoltage class/pollution severity III/2	4 kV
Rated impulse withstand voltage for overvoltage class/pollution severity III/3	4 kV
Short-time withstand current resistance	3 x 1s with 120 A

**CSA rating data**

Rated voltage (Use group D)	300 V
Rated current (Use group D)	10 A
AWG conductor (field wiring), min.	26
AWG conductor (field wiring), max.	12

**UL 1059 rating data**

Rated voltage (Use group D)	300 V
Rated current (Use group D)	10 A
AWG conductor, min.	26
AWG conductor, max.	12

Product catalogue | PCB connection systems | PCB plug-in connectors | Pitch 5.00 / 5.08 mm (0.197 / 0.200 inch) |  
 Socket connectors, tension clamp connection, pitch 5.00/5.08 | BLZ 5.00-5.08/90/270 | BLZ 5.00/90

### Approvals

Approvals institutes



### Classifications

ETIM 2.0	NK
ETIM 3.0	EC001284
eClass 4.1	27-26-07-01
eClass 5.0	27-26-07-01
eClass 5.1	27-26-07-04

### Similar products

Order No.	Part designation	Version
1635940000	BLZ 5.00/2/90 SN OR	PCB plug-in connector, Female connectors, Clamping yoke connection, Clamping range, max.: 3.31 mm <sup>2</sup> , Pitch: 5.00 mm, No. of poles: 2, 90°, Box
1636890000	BLZ 5.00/2/90 SN SW	PCB plug-in connector, Female connectors, Clamping yoke connection, Clamping range, max.: 3.31 mm <sup>2</sup> , Pitch: 5.00 mm, No. of poles: 2, 90°, Box
1635950000	BLZ 5.00/3/90 SN OR	PCB plug-in connector, Female connectors, Clamping yoke connection, Clamping range, max.: 3.31 mm <sup>2</sup> , Pitch: 5.00 mm, No. of poles: 3, 90°, Box
1636900000	BLZ 5.00/3/90 SN SW	PCB plug-in connector, Female connectors, Clamping yoke connection, Clamping range, max.: 3.31 mm <sup>2</sup> , Pitch: 5.00 mm, No. of poles: 3, 90°, Box
1635960000	BLZ 5.00/4/90 SN OR	PCB plug-in connector, Female connectors, Clamping yoke connection, Clamping range, max.: 3.31 mm <sup>2</sup> , Pitch: 5.00 mm, No. of poles: 4, 90°, Box
1636910000	BLZ 5.00/4/90 SN SW	PCB plug-in connector, Female connectors, Clamping yoke connection, Clamping range, max.: 3.31 mm <sup>2</sup> , Pitch: 5.00 mm, No. of poles: 4, 90°, Box
1635970000	BLZ 5.00/5/90 SN OR	PCB plug-in connector, Female connectors, Clamping yoke connection, Clamping range, max.: 3.31 mm <sup>2</sup> , Pitch: 5.00 mm, No. of poles: 5, 90°, Box
1636920000	BLZ 5.00/5/90 SN SW	PCB plug-in connector, Female connectors, Clamping yoke connection, Clamping range, max.: 3.31 mm <sup>2</sup> , Pitch: 5.00 mm, No. of poles: 5, 90°, Box
1635980000	BLZ 5.00/6/90 SN OR	PCB plug-in connector, Female connectors, Clamping yoke connection, Clamping range, max.: 3.31 mm <sup>2</sup> , Pitch: 5.00 mm, No. of poles: 6, 90°, Box
1636930000	BLZ 5.00/6/90 SN SW	PCB plug-in connector, Female connectors, Clamping yoke connection, Clamping range, max.: 3.31 mm <sup>2</sup> , Pitch: 5.00 mm, No. of poles: 6, 90°, Box
1635990000	BLZ 5.00/7/90 SN OR	PCB plug-in connector, Female connectors, Clamping yoke connection, Clamping range, max.: 3.31 mm <sup>2</sup> , Pitch: 5.00 mm, No. of poles: 7, 90°, Box

Product catalogue | PCB connection systems | PCB plug-in connectors | Pitch 5.00 / 5.08 mm (0.197 / 0.200 inch) | Socket connectors, tension clamp connection, pitch 5.00/5.08 | BLZ 5.00-5.08/90/270 | BLZ 5.00/90

1636940000	BLZ 5.00/7/90 SN SW	PCB plug-in connector, Female connectors, Clamping yoke connection, Clamping range, max.: 3.31 mm <sup>2</sup> , Pitch: 5.00 mm, No. of poles: 7, 90°, Box
1636000000	BLZ 5.00/8/90 SN OR	PCB plug-in connector, Female connectors, Clamping yoke connection, Clamping range, max.: 3.31 mm <sup>2</sup> , Pitch: 5.00 mm, No. of poles: 8, 90°, Box
1636950000	BLZ 5.00/8/90 SN SW	PCB plug-in connector, Female connectors, Clamping yoke connection, Clamping range, max.: 3.31 mm <sup>2</sup> , Pitch: 5.00 mm, No. of poles: 8, 90°, Box
1636010000	BLZ 5.00/9/90 SN OR	PCB plug-in connector, Female connectors, Clamping yoke connection, Clamping range, max.: 3.31 mm <sup>2</sup> , Pitch: 5.00 mm, No. of poles: 9, 90°, Box
1636960000	BLZ 5.00/9/90 SN SW	PCB plug-in connector, Female connectors, Clamping yoke connection, Clamping range, max.: 3.31 mm <sup>2</sup> , Pitch: 5.00 mm, No. of poles: 9, 90°, Box
1636970000	BLZ 5.00/10/90 SN SW	PCB plug-in connector, Female connectors, Clamping yoke connection, Clamping range, max.: 3.31 mm <sup>2</sup> , Pitch: 5.00 mm, No. of poles: 10, 90°, Box
1636030000	BLZ 5.00/11/90 SN OR	PCB plug-in connector, Female connectors, Clamping yoke connection, Clamping range, max.: 3.31 mm <sup>2</sup> , Pitch: 5.00 mm, No. of poles: 11, 90°, Box
1636980000	BLZ 5.00/11/90 SN SW	PCB plug-in connector, Female connectors, Clamping yoke connection, Clamping range, max.: 3.31 mm <sup>2</sup> , Pitch: 5.00 mm, No. of poles: 11, 90°, Box
1636040000	BLZ 5.00/12/90 SN OR	PCB plug-in connector, Female connectors, Clamping yoke connection, Clamping range, max.: 3.31 mm <sup>2</sup> , Pitch: 5.00 mm, No. of poles: 12, 90°, Box
1636990000	BLZ 5.00/12/90 SN SW	PCB plug-in connector, Female connectors, Clamping yoke connection, Clamping range, max.: 3.31 mm <sup>2</sup> , Pitch: 5.00 mm, No. of poles: 12, 90°, Box
1636050000	BLZ 5.00/13/90 SN OR	PCB plug-in connector, Female connectors, Clamping yoke connection, Clamping range, max.: 3.31 mm <sup>2</sup> , Pitch: 5.00 mm, No. of poles: 13, 90°, Box
1637000000	BLZ 5.00/13/90 SN SW	PCB plug-in connector, Female connectors, Clamping yoke connection, Clamping range, max.: 3.31 mm <sup>2</sup> , Pitch: 5.00 mm, No. of poles: 13, 90°, Box
1636060000	BLZ 5.00/14/90 SN OR	PCB plug-in connector, Female connectors, Clamping yoke connection, Clamping range, max.: 3.31 mm <sup>2</sup> , Pitch: 5.00 mm, No. of poles: 14, 90°, Box
1637010000	BLZ 5.00/14/90 SN SW	PCB plug-in connector, Female connectors, Clamping yoke connection, Clamping range, max.: 3.31 mm <sup>2</sup> , Pitch: 5.00 mm, No. of poles: 14, 90°, Box
1636070000	BLZ 5.00/15/90 SN OR	PCB plug-in connector, Female connectors, Clamping yoke connection, Clamping range, max.: 3.31 mm <sup>2</sup> , Pitch: 5.00 mm, No. of poles: 15, 90°, Box
1637020000	BLZ 5.00/15/90 SN SW	PCB plug-in connector, Female connectors, Clamping yoke connection, Clamping range, max.: 3.31 mm <sup>2</sup> , Pitch: 5.00 mm, No. of poles: 15, 90°, Box
1636080000	BLZ 5.00/16/90 SN OR	PCB plug-in connector, Female connectors, Clamping yoke connection, Clamping range, max.: 3.31 mm <sup>2</sup> , Pitch: 5.00 mm, No. of poles: 16, 90°, Box

Product catalogue | PCB connection systems | PCB plug-in connectors | Pitch 5.00 / 5.08 mm (0.197 / 0.200 inch) | Socket connectors, tension clamp connection, pitch 5.00/5.08 | BLZ 5.00-5.08/90/270 | BLZ 5.00/90

1637030000	BLZ 5.00/16/90 SN SW	PCB plug-in connector, Female connectors, Clamping yoke connection, Clamping range, max.: 3.31 mm <sup>2</sup> , Pitch: 5.00 mm, No. of poles: 16, 90°, Box
1636090000	BLZ 5.00/17/90 SN OR	PCB plug-in connector, Female connectors, Clamping yoke connection, Clamping range, max.: 3.31 mm <sup>2</sup> , Pitch: 5.00 mm, No. of poles: 17, 90°, Box
1637040000	BLZ 5.00/17/90 SN SW	PCB plug-in connector, Female connectors, Clamping yoke connection, Clamping range, max.: 3.31 mm <sup>2</sup> , Pitch: 5.00 mm, No. of poles: 17, 90°, Box
1636100000	BLZ 5.00/18/90 SN OR	PCB plug-in connector, Female connectors, Clamping yoke connection, Clamping range, max.: 3.31 mm <sup>2</sup> , Pitch: 5.00 mm, No. of poles: 18, 90°, Box
1637050000	BLZ 5.00/18/90 SN SW	PCB plug-in connector, Female connectors, Clamping yoke connection, Clamping range, max.: 3.31 mm <sup>2</sup> , Pitch: 5.00 mm, No. of poles: 18, 90°, Box
1636110000	BLZ 5.00/19/90 SN OR	PCB plug-in connector, Female connectors, Clamping yoke connection, Clamping range, max.: 3.31 mm <sup>2</sup> , Pitch: 5.00 mm, No. of poles: 19, 90°, Box
1637060000	BLZ 5.00/19/90 SN SW	PCB plug-in connector, Female connectors, Clamping yoke connection, Clamping range, max.: 3.31 mm <sup>2</sup> , Pitch: 5.00 mm, No. of poles: 19, 90°, Box
1636120000	BLZ 5.00/20/90 SN OR	PCB plug-in connector, Female connectors, Clamping yoke connection, Clamping range, max.: 3.31 mm <sup>2</sup> , Pitch: 5.00 mm, No. of poles: 20, 90°, Box
1637070000	BLZ 5.00/20/90 SN SW	PCB plug-in connector, Female connectors, Clamping yoke connection, Clamping range, max.: 3.31 mm <sup>2</sup> , Pitch: 5.00 mm, No. of poles: 20, 90°, Box
1636130000	BLZ 5.00/21/90 SN OR	PCB plug-in connector, Female connectors, Clamping yoke connection, Clamping range, max.: 3.31 mm <sup>2</sup> , Pitch: 5.00 mm, No. of poles: 21, 90°, Box
1637080000	BLZ 5.00/21/90 SN SW	PCB plug-in connector, Female connectors, Clamping yoke connection, Clamping range, max.: 3.31 mm <sup>2</sup> , Pitch: 5.00 mm, No. of poles: 21, 90°, Box
1636140000	BLZ 5.00/22/90 SN OR	PCB plug-in connector, Female connectors, Clamping yoke connection, Clamping range, max.: 3.31 mm <sup>2</sup> , Pitch: 5.00 mm, No. of poles: 22, 90°, Box
1637090000	BLZ 5.00/22/90 SN SW	PCB plug-in connector, Female connectors, Clamping yoke connection, Clamping range, max.: 3.31 mm <sup>2</sup> , Pitch: 5.00 mm, No. of poles: 22, 90°, Box
1636150000	BLZ 5.00/23/90 SN OR	PCB plug-in connector, Female connectors, Clamping yoke connection, Clamping range, max.: 3.31 mm <sup>2</sup> , Pitch: 5.00 mm, No. of poles: 23, 90°, Box
1637100000	BLZ 5.00/23/90 SN SW	PCB plug-in connector, Female connectors, Clamping yoke connection, Clamping range, max.: 3.31 mm <sup>2</sup> , Pitch: 5.00 mm, No. of poles: 23, 90°, Box
1636160000	BLZ 5.00/24/90 SN OR	PCB plug-in connector, Female connectors, Clamping yoke connection, Clamping range, max.: 3.31 mm <sup>2</sup> , Pitch: 5.00 mm, No. of poles: 24, 90°, Box
1637110000	BLZ 5.00/24/90 SN SW	PCB plug-in connector, Female connectors, Clamping yoke connection, Clamping range, max.: 3.31 mm <sup>2</sup> , Pitch: 5.00 mm, No. of poles: 24, 90°, Box