

## Excellent Integrated System Limited

Stocking Distributor

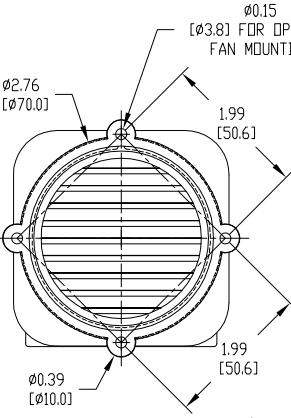
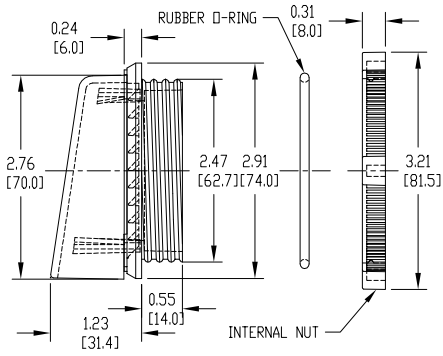
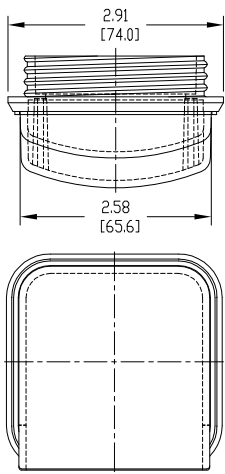
Click to view price, real time Inventory, Delivery & Lifecycle Information:

[BUD Industries, Inc.](#)  
[IPV-1115](#)

For any questions, you can email us directly:

[sales@integrated-circuit.com](mailto:sales@integrated-circuit.com)

BUD	PART NAME WIDE OPENING EXTERNAL VENT	PART No. IPV-1115	REV. DATE 4-10-14
-----	---	----------------------	----------------------



MATERIAL: POLYCARBONATE 10% FIBERGLASS REINFORCED  
 COLOR: LIGHT GRAY

ALL DIMENSIONS HAVE  $\pm 0.03$  [0.76] TOLERANCE UNLESS OTHERWISE SPECIFIED

DIMENSIONS ARE INCH(MM)

