

Excellent Integrated System Limited

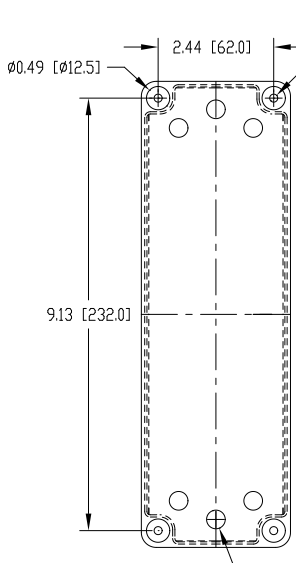
Stocking Distributor

Click to view price, real time Inventory, Delivery & Lifecycle Information:

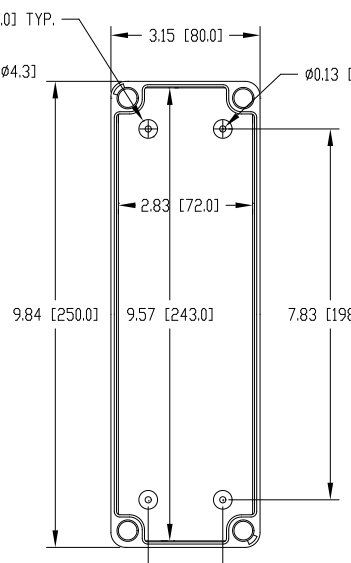
[BUD Industries, Inc.](#)
[PBB-11821-4](#)

For any questions, you can email us directly:
sales@integrated-circuit.com

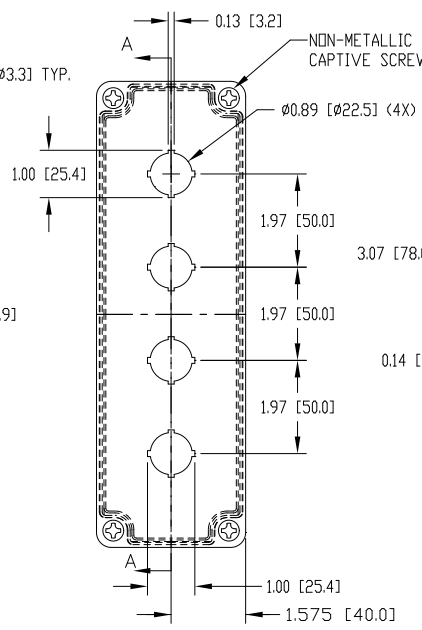
BUD	PART NAME	PBB SERIES - PC 10% FIBERGLASS PUSH BUTTON BOX	PART No.	PBB-11821-4	REV. DATE	12-3-15
-----	-----------	--	----------	-------------	-----------	---------



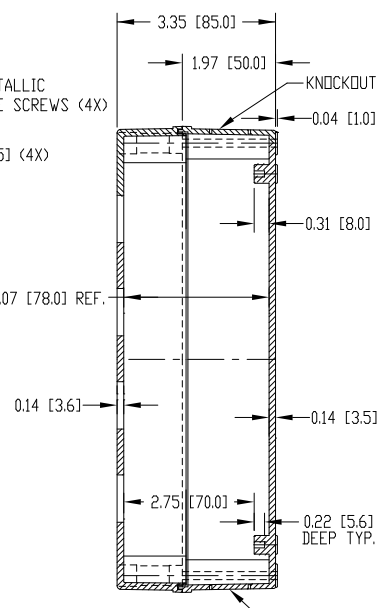
BOTTOM VIEW



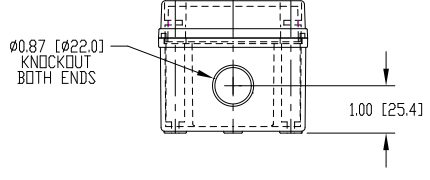
TOP VIEW WITH COVER REMOVED



TOP VIEW WITH COVER



SECTION A-A



- NOTES:
- 1- MATERIAL: BODY- GRAY POLYCARBONATE, 10% GLASS FIBER FILLED
COVER - GRAY POLYCARBONATE
 - 2- IP-67 TUV AND UL-94V0 RATING
 - 3- UL508/NEMA TYPE 4X AND TYPE 6 LISTED #E343339
 - 4- CONTINUOUS GASKET IN COVER
 - 5- FOUR NON-METALLIC CAPTIVE SCREWS PROVIDED
 - 6- ALL OTHER DIMENSIONS HAVE ±0.03[0.76] TOLERANCE UNLESS OTHERWISE SPECIFIED
 - 7- DIMENSIONS ARE INCH(MM)
- OPTIONAL ACCESSORIES:
MOUNTING BRACKET KIT (STAINLESS STEEL) - #NBX-10922
MOUNTING BRACKET KIT (PLASTIC) - #PIX-4117