

Excellent Integrated System Limited

Stocking Distributor

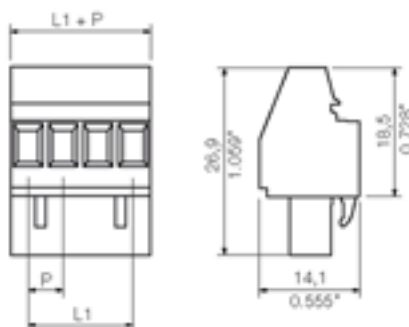
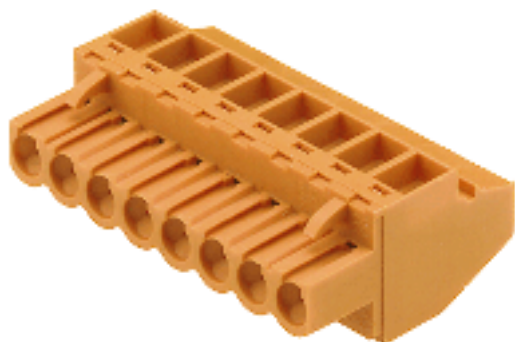
Click to view price, real time Inventory, Delivery & Lifecycle Information:

[Weidmüller](#)
[1637100000](#)

For any questions, you can email us directly:

sales@integrated-circuit.com

Product catalogue | PCB connection systems | PCB plug-in connectors | Pitch 5.00 / 5.08 mm (0.197 / 0.200 inch) | Socket connectors, tension clamp connection, pitch 5.00/5.08 | BLZ 5.00-5.08/90/270 | BLZ 5.00/90


General ordering data

Order No.	1637100000
Part designation	BLZ 5.00/23/90 SN SW
Version	PCB plug-in connector, Female connectors, Clamping yoke connection, Clamping range, max.: 3.31 mm ² , Pitch: 5.00 mm, No. of poles: 23, 90°, Box
EAN	4008190274344
Qty.	12 pc(s).

System parameters

Conductor connection system	Clamping yoke connection
Outgoing direction of conductor	90°
Pitch	5 mm
Pitch in inch	0.197 inch
No. of poles	23
No. of rows	1
Screwdriver blade	0.6 x 3.5
Screwdriver blade standard	DIN 5264
Tightening torque, min.	0.4 Nm
Tightening torque, max.	0.5 Nm
Clamping screw	M 2.5
Stripping length	7 mm
L1 in mm	110 mm
L1 in inch	4.331 inch
Electric shock protection to DIN VDE 0470	IP 20
Electric shock protection to DIN VDE 0470	Safe from finger touch

Material data

Insulating material	PBT
Colour	black
colour chart	Similar to RAL 9011
Insulating material group	IIIa
Flammability class UL 94	V-0
CTI	>= 200

Product catalogue | PCB connection systems | PCB plug-in connectors | Pitch 5.00 / 5.08 mm (0.197 / 0.200 inch) | Socket connectors, tension clamp connection, pitch 5.00/5.08 | BLZ 5.00-5.08/90/270 | BLZ 5.00/90

Material data

Contact base material	Copper alloy
Contact surface	tinned

Connectable conductors

Clamping range, min.	0.13 mm ²
Clamping range, max.	3.31 mm ²
AWG, min.	26
AWG, max.	12
Solid, min. H05(07) V-U	0.5 mm ²
Solid, max. H05(07) V-U	2.5 mm ²
Flexible, min. H05(07) V-K	0.5 mm ²
Flexible, max. H05(07) V-K	2.5 mm ²
With wire end ferrule, acc. to DIN 46 228/1, min.	0.5 mm ²
With wire end ferrule, acc. to DIN 46 228/1, max.	2.5 mm ²
w. plastic collar ferrule, DIN 46228 pt 4, min.	0.5 mm ²
w. plastic collar ferrule, DIN 46228 pt 4, max.	2.5 mm ²
Gauge to EN 60999 a x b; ø	2.8 mm x 2.0 mm; 2.4 mm

DIN IEC rating data

Rated current, min. No. pins (Tu=20°C)	15 A
Rated current, max. No. pins (Tu=20°C)	12 A
Rated current, min. No. pins (Tu=40°C)	12 A
Rated current, max. No. pins (Tu=40°C)	10 A
Rated voltage for overvoltage class/pollution severity II/2	400 V
Rated voltage for overvoltage class/pollution severity III/2	320 V
Rated voltage for overvoltage class/pollution severity III/3	250 V
Rated impulse withstand voltage for overvoltage class/pollution severity II/2	4 kV
Rated impulse withstand voltage for overvoltage class/pollution severity III/2	4 kV
Rated impulse withstand voltage for overvoltage class/pollution severity III/3	4 kV
Short-time withstand current resistance	3 x 1s with 120 A

CSA rating data

Rated voltage (Use group D)	300 V
Rated current (Use group D)	10 A
AWG conductor (field wiring), min.	26
AWG conductor (field wiring), max.	12

UL 1059 rating data

Rated voltage (Use group D)	300 V
Rated current (Use group D)	10 A
AWG conductor, min.	26
AWG conductor, max.	12

Product catalogue | PCB connection systems | PCB plug-in connectors | Pitch 5.00 / 5.08 mm (0.197 / 0.200 inch) | Socket connectors, tension clamp connection, pitch 5.00/5.08 | BLZ 5.00-5.08/90/270 | BLZ 5.00/90

Approvals

Approvals institutes



Classifications

ETIM 2.0	NK
ETIM 3.0	EC001284
eClass 4.1	27-26-07-01
eClass 5.0	27-26-07-01
eClass 5.1	27-26-07-04

Similar products

Order No.	Part designation	Version
1635940000	BLZ 5.00/2/90 SN OR	PCB plug-in connector, Female connectors, Clamping yoke connection, Clamping range, max.: 3.31 mm ² , Pitch: 5.00 mm, No. of poles: 2, 90°, Box
1636890000	BLZ 5.00/2/90 SN SW	PCB plug-in connector, Female connectors, Clamping yoke connection, Clamping range, max.: 3.31 mm ² , Pitch: 5.00 mm, No. of poles: 2, 90°, Box
1635950000	BLZ 5.00/3/90 SN OR	PCB plug-in connector, Female connectors, Clamping yoke connection, Clamping range, max.: 3.31 mm ² , Pitch: 5.00 mm, No. of poles: 3, 90°, Box
1636900000	BLZ 5.00/3/90 SN SW	PCB plug-in connector, Female connectors, Clamping yoke connection, Clamping range, max.: 3.31 mm ² , Pitch: 5.00 mm, No. of poles: 3, 90°, Box
1635960000	BLZ 5.00/4/90 SN OR	PCB plug-in connector, Female connectors, Clamping yoke connection, Clamping range, max.: 3.31 mm ² , Pitch: 5.00 mm, No. of poles: 4, 90°, Box
1636910000	BLZ 5.00/4/90 SN SW	PCB plug-in connector, Female connectors, Clamping yoke connection, Clamping range, max.: 3.31 mm ² , Pitch: 5.00 mm, No. of poles: 4, 90°, Box
1635970000	BLZ 5.00/5/90 SN OR	PCB plug-in connector, Female connectors, Clamping yoke connection, Clamping range, max.: 3.31 mm ² , Pitch: 5.00 mm, No. of poles: 5, 90°, Box
1636920000	BLZ 5.00/5/90 SN SW	PCB plug-in connector, Female connectors, Clamping yoke connection, Clamping range, max.: 3.31 mm ² , Pitch: 5.00 mm, No. of poles: 5, 90°, Box
1635980000	BLZ 5.00/6/90 SN OR	PCB plug-in connector, Female connectors, Clamping yoke connection, Clamping range, max.: 3.31 mm ² , Pitch: 5.00 mm, No. of poles: 6, 90°, Box
1636930000	BLZ 5.00/6/90 SN SW	PCB plug-in connector, Female connectors, Clamping yoke connection, Clamping range, max.: 3.31 mm ² , Pitch: 5.00 mm, No. of poles: 6, 90°, Box
1635990000	BLZ 5.00/7/90 SN OR	PCB plug-in connector, Female connectors, Clamping yoke connection, Clamping range, max.: 3.31 mm ² , Pitch: 5.00 mm, No. of poles: 7, 90°, Box

Product catalogue | PCB connection systems | PCB plug-in connectors | Pitch 5.00 / 5.08 mm (0.197 / 0.200 inch) | Socket connectors, tension clamp connection, pitch 5.00/5.08 | BLZ 5.00-5.08/90/270 | BLZ 5.00/90

1636940000	BLZ 5.00/7/90 SN SW	PCB plug-in connector, Female connectors, Clamping yoke connection, Clamping range, max.: 3.31 mm ² , Pitch: 5.00 mm, No. of poles: 7, 90°, Box
1636000000	BLZ 5.00/8/90 SN OR	PCB plug-in connector, Female connectors, Clamping yoke connection, Clamping range, max.: 3.31 mm ² , Pitch: 5.00 mm, No. of poles: 8, 90°, Box
1636950000	BLZ 5.00/8/90 SN SW	PCB plug-in connector, Female connectors, Clamping yoke connection, Clamping range, max.: 3.31 mm ² , Pitch: 5.00 mm, No. of poles: 8, 90°, Box
1636010000	BLZ 5.00/9/90 SN OR	PCB plug-in connector, Female connectors, Clamping yoke connection, Clamping range, max.: 3.31 mm ² , Pitch: 5.00 mm, No. of poles: 9, 90°, Box
1636960000	BLZ 5.00/9/90 SN SW	PCB plug-in connector, Female connectors, Clamping yoke connection, Clamping range, max.: 3.31 mm ² , Pitch: 5.00 mm, No. of poles: 9, 90°, Box
1636020000	BLZ 5.00/10/90 SN OR	PCB plug-in connector, Female connectors, Clamping yoke connection, Clamping range, max.: 3.31 mm ² , Pitch: 5.00 mm, No. of poles: 10, 90°, Box
1636970000	BLZ 5.00/10/90 SN SW	PCB plug-in connector, Female connectors, Clamping yoke connection, Clamping range, max.: 3.31 mm ² , Pitch: 5.00 mm, No. of poles: 10, 90°, Box
1636030000	BLZ 5.00/11/90 SN OR	PCB plug-in connector, Female connectors, Clamping yoke connection, Clamping range, max.: 3.31 mm ² , Pitch: 5.00 mm, No. of poles: 11, 90°, Box
1636980000	BLZ 5.00/11/90 SN SW	PCB plug-in connector, Female connectors, Clamping yoke connection, Clamping range, max.: 3.31 mm ² , Pitch: 5.00 mm, No. of poles: 11, 90°, Box
1636040000	BLZ 5.00/12/90 SN OR	PCB plug-in connector, Female connectors, Clamping yoke connection, Clamping range, max.: 3.31 mm ² , Pitch: 5.00 mm, No. of poles: 12, 90°, Box
1636990000	BLZ 5.00/12/90 SN SW	PCB plug-in connector, Female connectors, Clamping yoke connection, Clamping range, max.: 3.31 mm ² , Pitch: 5.00 mm, No. of poles: 12, 90°, Box
1636050000	BLZ 5.00/13/90 SN OR	PCB plug-in connector, Female connectors, Clamping yoke connection, Clamping range, max.: 3.31 mm ² , Pitch: 5.00 mm, No. of poles: 13, 90°, Box
1637000000	BLZ 5.00/13/90 SN SW	PCB plug-in connector, Female connectors, Clamping yoke connection, Clamping range, max.: 3.31 mm ² , Pitch: 5.00 mm, No. of poles: 13, 90°, Box
1636060000	BLZ 5.00/14/90 SN OR	PCB plug-in connector, Female connectors, Clamping yoke connection, Clamping range, max.: 3.31 mm ² , Pitch: 5.00 mm, No. of poles: 14, 90°, Box
1637010000	BLZ 5.00/14/90 SN SW	PCB plug-in connector, Female connectors, Clamping yoke connection, Clamping range, max.: 3.31 mm ² , Pitch: 5.00 mm, No. of poles: 14, 90°, Box
1636070000	BLZ 5.00/15/90 SN OR	PCB plug-in connector, Female connectors, Clamping yoke connection, Clamping range, max.: 3.31 mm ² , Pitch: 5.00 mm, No. of poles: 15, 90°, Box
1637020000	BLZ 5.00/15/90 SN SW	PCB plug-in connector, Female connectors, Clamping yoke connection, Clamping range, max.: 3.31 mm ² , Pitch: 5.00 mm, No. of poles: 15, 90°, Box

Product catalogue | PCB connection systems | PCB plug-in connectors | Pitch 5.00 / 5.08 mm (0.197 / 0.200 inch) | Socket connectors, tension clamp connection, pitch 5.00/5.08 | BLZ 5.00-5.08/90/270 | BLZ 5.00/90

1636080000	BLZ 5.00/16/90 SN OR	PCB plug-in connector, Female connectors, Clamping yoke connection, Clamping range, max.: 3.31 mm ² , Pitch: 5.00 mm, No. of poles: 16, 90°, Box
1637030000	BLZ 5.00/16/90 SN SW	PCB plug-in connector, Female connectors, Clamping yoke connection, Clamping range, max.: 3.31 mm ² , Pitch: 5.00 mm, No. of poles: 16, 90°, Box
1636090000	BLZ 5.00/17/90 SN OR	PCB plug-in connector, Female connectors, Clamping yoke connection, Clamping range, max.: 3.31 mm ² , Pitch: 5.00 mm, No. of poles: 17, 90°, Box
1637040000	BLZ 5.00/17/90 SN SW	PCB plug-in connector, Female connectors, Clamping yoke connection, Clamping range, max.: 3.31 mm ² , Pitch: 5.00 mm, No. of poles: 17, 90°, Box
1636100000	BLZ 5.00/18/90 SN OR	PCB plug-in connector, Female connectors, Clamping yoke connection, Clamping range, max.: 3.31 mm ² , Pitch: 5.00 mm, No. of poles: 18, 90°, Box
1637050000	BLZ 5.00/18/90 SN SW	PCB plug-in connector, Female connectors, Clamping yoke connection, Clamping range, max.: 3.31 mm ² , Pitch: 5.00 mm, No. of poles: 18, 90°, Box
1636110000	BLZ 5.00/19/90 SN OR	PCB plug-in connector, Female connectors, Clamping yoke connection, Clamping range, max.: 3.31 mm ² , Pitch: 5.00 mm, No. of poles: 19, 90°, Box
1637060000	BLZ 5.00/19/90 SN SW	PCB plug-in connector, Female connectors, Clamping yoke connection, Clamping range, max.: 3.31 mm ² , Pitch: 5.00 mm, No. of poles: 19, 90°, Box
1636120000	BLZ 5.00/20/90 SN OR	PCB plug-in connector, Female connectors, Clamping yoke connection, Clamping range, max.: 3.31 mm ² , Pitch: 5.00 mm, No. of poles: 20, 90°, Box
1637070000	BLZ 5.00/20/90 SN SW	PCB plug-in connector, Female connectors, Clamping yoke connection, Clamping range, max.: 3.31 mm ² , Pitch: 5.00 mm, No. of poles: 20, 90°, Box
1636130000	BLZ 5.00/21/90 SN OR	PCB plug-in connector, Female connectors, Clamping yoke connection, Clamping range, max.: 3.31 mm ² , Pitch: 5.00 mm, No. of poles: 21, 90°, Box
1637080000	BLZ 5.00/21/90 SN SW	PCB plug-in connector, Female connectors, Clamping yoke connection, Clamping range, max.: 3.31 mm ² , Pitch: 5.00 mm, No. of poles: 21, 90°, Box
1636140000	BLZ 5.00/22/90 SN OR	PCB plug-in connector, Female connectors, Clamping yoke connection, Clamping range, max.: 3.31 mm ² , Pitch: 5.00 mm, No. of poles: 22, 90°, Box
1637090000	BLZ 5.00/22/90 SN SW	PCB plug-in connector, Female connectors, Clamping yoke connection, Clamping range, max.: 3.31 mm ² , Pitch: 5.00 mm, No. of poles: 22, 90°, Box
1636150000	BLZ 5.00/23/90 SN OR	PCB plug-in connector, Female connectors, Clamping yoke connection, Clamping range, max.: 3.31 mm ² , Pitch: 5.00 mm, No. of poles: 23, 90°, Box
1636160000	BLZ 5.00/24/90 SN OR	PCB plug-in connector, Female connectors, Clamping yoke connection, Clamping range, max.: 3.31 mm ² , Pitch: 5.00 mm, No. of poles: 24, 90°, Box
1637110000	BLZ 5.00/24/90 SN SW	PCB plug-in connector, Female connectors, Clamping yoke connection, Clamping range, max.: 3.31 mm ² , Pitch: 5.00 mm, No. of poles: 24, 90°, Box