

## Excellent Integrated System Limited

Stocking Distributor

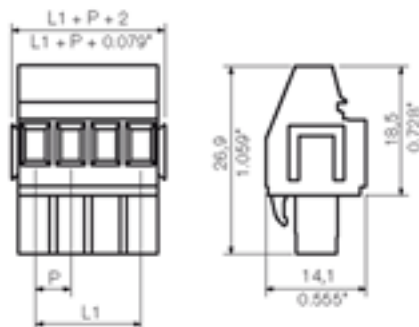
Click to view price, real time Inventory, Delivery & Lifecycle Information:

[Weidmüller](#)  
[1560610000](#)

For any questions, you can email us directly:

[sales@integrated-circuit.com](mailto:sales@integrated-circuit.com)

Product catalogue | PCB connection systems | PCB plug-in connectors | Pitch 5.00 / 5.08 mm (0.197 / 0.200 inch) | Socket connectors, tension clamp connection, pitch 5.00/5.08 | BLZ 5.00-5.08/90/270 | BLZ 5.08/270B


**General ordering data**

Order No.	1560610000
Part designation	BLZ 5.08/12/270B SN SW
Version	PCB plug-in connector, Female connectors, Clamping yoke connection, Clamping range, max.: 3.31 mm <sup>2</sup> , Pitch: 5.08 mm, No. of poles: 12, 270°, Box
EAN	4008190269777
Qty.	24 pc(s).

**System parameters**

Conductor connection system	Clamping yoke connection
Outgoing direction of conductor	270°
Pitch	5.08 mm
Pitch in inch	0.2 inch
No. of poles	12
No. of rows	1
Screwdriver blade	0.6 x 3.5
Screwdriver blade standard	DIN 5264
Tightening torque, min.	0.4 Nm
Tightening torque, max.	0.5 Nm
Clamping screw	M 2.5
Stripping length	7 mm
L1 in mm	55.88 mm
L1 in inch	2.2 inch
Electric shock protection to DIN VDE 0470	Safe from finger touch

**Material data**

Insulating material	PBT
Colour	black
colour chart	Similar to RAL 9011
Insulating material group	IIIa
Flammability class UL 94	V-0
CTI	>= 200
Contact base material	Copper alloy

Material data	
Contact surface	tinned
Connectable conductors	
Clamping range, min.	0.13 mm <sup>2</sup>
Clamping range, max.	3.31 mm <sup>2</sup>
AWG, min.	26
AWG, max.	12
Solid, min. H05(07) V-U	0.2 mm <sup>2</sup>
Solid, max. H05(07) V-U	2.5 mm <sup>2</sup>
Flexible, min. H05(07) V-K	0.2 mm <sup>2</sup>
Flexible, max. H05(07) V-K	2.5 mm <sup>2</sup>
With wire end ferrule, acc. to DIN 46 228/1, min.	0.2 mm <sup>2</sup>
With wire end ferrule, acc. to DIN 46 228/1, max.	2.5 mm <sup>2</sup>
w. plastic collar ferrule, DIN 46228 pt 4, min.	0.2 mm <sup>2</sup>
w. plastic collar ferrule, DIN 46228 pt 4, max.	2.5 mm <sup>2</sup>
Gauge to EN 60999 a x b; ø	2.8 mm x 2.0 mm; 2.4 mm
DIN IEC rating data	
Rated current, min. No. pins (Tu=20°C)	15 A
Rated current, max. No. pins (Tu=20°C)	12 A
Rated current, min. No. pins (Tu=40°C)	12 A
Rated current, max. No. pins (Tu=40°C)	10 A
Rated voltage for overvoltage class/pollution severity II/2	400 V
Rated voltage for overvoltage class/pollution severity III/2	320 V
Rated voltage for overvoltage class/pollution severity III/3	250 V
Rated impulse withstand voltage for overvoltage class/pollution severity II/2	4 kV
Rated impulse withstand voltage for overvoltage class/pollution severity III/2	4 kV
Rated impulse withstand voltage for overvoltage class/pollution severity III/3	4 kV
Short-time withstand current resistance	3 x 1s with 120 A
CSA rating data	
Rated voltage (Use group D)	300 V
Rated current (Use group D)	10 A
AWG conductor (field wiring), min.	26
AWG conductor (field wiring), max.	12
UL 1059 rating data	
Rated voltage (Use group D)	300 V
Rated current (Use group D)	10 A
AWG conductor, min.	26
AWG conductor, max.	12

**Approvals**

Approvals institutes


**Classifications**

ETIM 2.0	NK
ETIM 3.0	EC001284
eClass 4.1	27-26-07-01
eClass 5.0	27-26-07-01
eClass 5.1	27-26-07-04

**Similar products**

Order No.	Part designation	Version
1559660000	BLZ 5.08/2/270B SN OR	PCB plug-in connector, Female connectors, Clamping yoke connection, Clamping range, max.: 3.31 mm <sup>2</sup> , Pitch: 5.08 mm, No. of poles: 2, 270°, Box
1559610000	BLZ 5.08/2/270B SN SW	PCB plug-in connector, Female connectors, Clamping yoke connection, Clamping range, max.: 3.31 mm <sup>2</sup> , Pitch: 5.08 mm, No. of poles: 2, 270°, Box
1559760000	BLZ 5.08/3/270B SN OR	PCB plug-in connector, Female connectors, Clamping yoke connection, Clamping range, max.: 3.31 mm <sup>2</sup> , Pitch: 5.08 mm, No. of poles: 3, 270°, Box
1559710000	BLZ 5.08/3/270B SN SW	PCB plug-in connector, Female connectors, Clamping yoke connection, Clamping range, max.: 3.31 mm <sup>2</sup> , Pitch: 5.08 mm, No. of poles: 3, 270°, Box
1559860000	BLZ 5.08/4/270B SN OR	PCB plug-in connector, Female connectors, Clamping yoke connection, Clamping range, max.: 3.31 mm <sup>2</sup> , Pitch: 5.08 mm, No. of poles: 4, 270°, Box
1559810000	BLZ 5.08/4/270B SN SW	PCB plug-in connector, Female connectors, Clamping yoke connection, Clamping range, max.: 3.31 mm <sup>2</sup> , Pitch: 5.08 mm, No. of poles: 4, 270°, Box
1559960000	BLZ 5.08/5/270B SN OR	PCB plug-in connector, Female connectors, Clamping yoke connection, Clamping range, max.: 3.31 mm <sup>2</sup> , Pitch: 5.08 mm, No. of poles: 5, 270°, Box
1559910000	BLZ 5.08/5/270B SN SW	PCB plug-in connector, Female connectors, Clamping yoke connection, Clamping range, max.: 3.31 mm <sup>2</sup> , Pitch: 5.08 mm, No. of poles: 5, 270°, Box
1560060000	BLZ 5.08/6/270B SN OR	PCB plug-in connector, Female connectors, Clamping yoke connection, Clamping range, max.: 3.31 mm <sup>2</sup> , Pitch: 5.08 mm, No. of poles: 6, 270°, Box
1560010000	BLZ 5.08/6/270B SN SW	PCB plug-in connector, Female connectors, Clamping yoke connection, Clamping range, max.: 3.31 mm <sup>2</sup> , Pitch: 5.08 mm, No. of poles: 6, 270°, Box
1560160000	BLZ 5.08/7/270B SN OR	PCB plug-in connector, Female connectors, Clamping yoke connection, Clamping range, max.: 3.31 mm <sup>2</sup> , Pitch: 5.08 mm, No. of poles: 7, 270°, Box

Product catalogue | PCB connection systems | PCB plug-in connectors | Pitch 5.00 / 5.08 mm (0.197 / 0.200 inch) | Socket connectors, tension clamp connection, pitch 5.00/5.08 | BLZ 5.00-5.08/90/270 | BLZ 5.08/270B

1560110000	BLZ 5.08/7/270B SN SW	PCB plug-in connector, Female connectors, Clamping yoke connection, Clamping range, max.: 3.31 mm <sup>2</sup> , Pitch: 5.08 mm, No. of poles: 7, 270°, Box
1560260000	BLZ 5.08/8/270B SN OR	PCB plug-in connector, Female connectors, Clamping yoke connection, Clamping range, max.: 3.31 mm <sup>2</sup> , Pitch: 5.08 mm, No. of poles: 8, 270°, Box
1560210000	BLZ 5.08/8/270B SN SW	PCB plug-in connector, Female connectors, Clamping yoke connection, Clamping range, max.: 3.31 mm <sup>2</sup> , Pitch: 5.08 mm, No. of poles: 8, 270°, Box
1560360000	BLZ 5.08/9/270B SN OR	PCB plug-in connector, Female connectors, Clamping yoke connection, Clamping range, max.: 3.31 mm <sup>2</sup> , Pitch: 5.08 mm, No. of poles: 9, 270°, Box
1560460000	BLZ 5.08/10/270B SN OR	PCB plug-in connector, Female connectors, Clamping yoke connection, Clamping range, max.: 3.31 mm <sup>2</sup> , Pitch: 5.08 mm, No. of poles: 10, 270°, Box
1560410000	BLZ 5.08/10/270B SN SW	PCB plug-in connector, Female connectors, Clamping yoke connection, Clamping range, max.: 3.31 mm <sup>2</sup> , Pitch: 5.08 mm, No. of poles: 10, 270°, Box
1560560000	BLZ 5.08/11/270B SN OR	PCB plug-in connector, Female connectors, Clamping yoke connection, Clamping range, max.: 3.31 mm <sup>2</sup> , Pitch: 5.08 mm, No. of poles: 11, 270°, Box
1560510000	BLZ 5.08/11/270B SN SW	PCB plug-in connector, Female connectors, Clamping yoke connection, Clamping range, max.: 3.31 mm <sup>2</sup> , Pitch: 5.08 mm, No. of poles: 11, 270°, Box
1560660000	BLZ 5.08/12/270B SN OR	PCB plug-in connector, Female connectors, Clamping yoke connection, Clamping range, max.: 3.31 mm <sup>2</sup> , Pitch: 5.08 mm, No. of poles: 12, 270°, Box
1560760000	BLZ 5.08/13/270B SN OR	PCB plug-in connector, Female connectors, Clamping yoke connection, Clamping range, max.: 3.31 mm <sup>2</sup> , Pitch: 5.08 mm, No. of poles: 13, 270°, Box
1560860000	BLZ 5.08/14/270B SN OR	PCB plug-in connector, Female connectors, Clamping yoke connection, Clamping range, max.: 3.31 mm <sup>2</sup> , Pitch: 5.08 mm, No. of poles: 14, 270°, Box
1560960000	BLZ 5.08/15/270B SN OR	PCB plug-in connector, Female connectors, Clamping yoke connection, Clamping range, max.: 3.31 mm <sup>2</sup> , Pitch: 5.08 mm, No. of poles: 15, 270°, Box
1561060000	BLZ 5.08/16/270B SN OR	PCB plug-in connector, Female connectors, Clamping yoke connection, Clamping range, max.: 3.31 mm <sup>2</sup> , Pitch: 5.08 mm, No. of poles: 16, 270°, Box
1561160000	BLZ 5.08/17/270B SN OR	PCB plug-in connector, Female connectors, Clamping yoke connection, Clamping range, max.: 3.31 mm <sup>2</sup> , Pitch: 5.08 mm, No. of poles: 17, 270°, Box
1561260000	BLZ 5.08/18/270B SN OR	PCB plug-in connector, Female connectors, Clamping yoke connection, Clamping range, max.: 3.31 mm <sup>2</sup> , Pitch: 5.08 mm, No. of poles: 18, 270°, Box
1561360000	BLZ 5.08/19/270B SN OR	PCB plug-in connector, Female connectors, Clamping yoke connection, Clamping range, max.: 3.31 mm <sup>2</sup> , Pitch: 5.08 mm, No. of poles: 19, 270°, Box
1561460000	BLZ 5.08/20/270B SN OR	PCB plug-in connector, Female connectors, Clamping yoke connection, Clamping range, max.: 3.31 mm <sup>2</sup> , Pitch: 5.08 mm, No. of poles: 20, 270°, Box

1561560000	BLZ 5.08/21/270B SN OR	PCB plug-in connector, Female connectors, Clamping yoke connection, Clamping range, max.: 3.31 mm <sup>2</sup> , Pitch: 5.08 mm, No. of poles: 21, 270°, Box
1561660000	BLZ 5.08/22/270B SN OR	PCB plug-in connector, Female connectors, Clamping yoke connection, Clamping range, max.: 3.31 mm <sup>2</sup> , Pitch: 5.08 mm, No. of poles: 22, 270°, Box
1561760000	BLZ 5.08/23/270B SN OR	PCB plug-in connector, Female connectors, Clamping yoke connection, Clamping range, max.: 3.31 mm <sup>2</sup> , Pitch: 5.08 mm, No. of poles: 23, 270°, Box
1561860000	BLZ 5.08/24/270B SN OR	PCB plug-in connector, Female connectors, Clamping yoke connection, Clamping range, max.: 3.31 mm <sup>2</sup> , Pitch: 5.08 mm, No. of poles: 24, 270°, Box