

## Excellent Integrated System Limited

Stocking Distributor

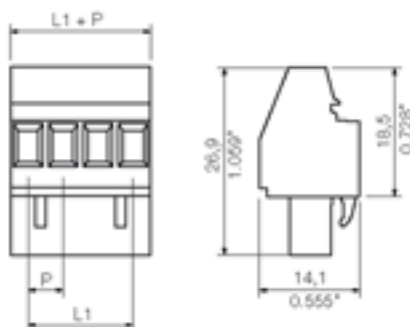
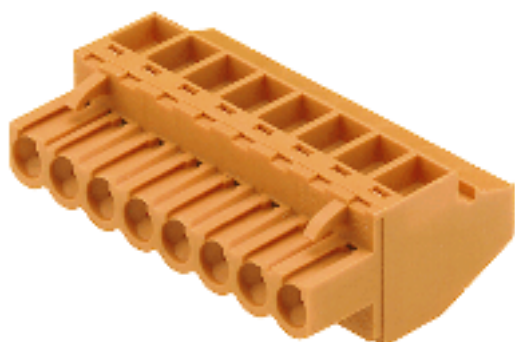
Click to view price, real time Inventory, Delivery & Lifecycle Information:

[Weidmüller](#)  
[1554810000](#)

For any questions, you can email us directly:

[sales@integrated-circuit.com](mailto:sales@integrated-circuit.com)

Product catalogue | PCB connection systems | PCB plug-in connectors | Pitch 5.00 / 5.08 mm (0.197 / 0.200 inch) | Socket connectors, tension clamp connection, pitch 5.00/5.08 | BLZ 5.00-5.08/90/270 | BLZ 5.08/90


**General ordering data**

|                  |   |
|------------------|---|
| Order No.        | 1554810000  |
| Part designation | BLZ 5.08/23/90 SN SW  |
| Version          | PCB plug-in connector, Female connectors, Clamping yoke connection, Clamping range, max.: 3.31 mm <sup>2</sup> , Pitch: 5.08 mm, No. of poles: 23, 90°, Box |
| EAN              | 4008190267926   |
| Qty.             | 12 pc(s).   |

**System parameters**

|   |                          |
|---|--------------------------|
| Conductor connection system               | Clamping yoke connection |
| Outgoing direction of conductor           | 90°                      |
| Pitch                                     | 5.08 mm                  |
| Pitch in inch                             | 0.2 inch                 |
| No. of poles                              | 23                       |
| No. of rows                               | 1                        |
| Screwdriver blade                         | 0.6 x 3.5                |
| Screwdriver blade standard                | DIN 5264                 |
| Tightening torque, min.                   | 0.4 Nm                   |
| Tightening torque, max.                   | 0.5 Nm                   |
| Clamping screw                            | M 2.5                    |
| Stripping length                          | 7 mm                     |
| L1 in mm                                  | 111.76 mm                |
| L1 in inch                                | 4.4 inch                 |
| Electric shock protection to DIN VDE 0470 | Safe from finger touch   |

**Material data**

|                           |                     |
|---------------------------|---------------------|
| Insulating material       | PBT                 |
| Colour                    | black               |
| colour chart              | Similar to RAL 9011 |
| Insulating material group | IIIa                |
| Flammability class UL 94  | V-0                 |
| CTI                       | >= 200              |
| Contact base material     | Copper alloy        |

Product catalogue | PCB connection systems | PCB plug-in connectors | Pitch 5.00 / 5.08 mm (0.197 / 0.200 inch) |  
 Socket connectors, tension clamp connection, pitch 5.00/5.08 | BLZ 5.00-5.08/90/270 | BLZ 5.08/90

**Material data**

Contact surface tinned

**Connectable conductors**

|   |                         |
|---|-------------------------|
| Clamping range, min.                              | 0.13 mm <sup>2</sup>    |
| Clamping range, max.                              | 3.31 mm <sup>2</sup>    |
| AWG, min.   | 26                      |
| AWG, max.   | 12                      |
| Solid, min. H05(07) V-U                           | 0.2 mm <sup>2</sup>     |
| Solid, max. H05(07) V-U                           | 2.5 mm <sup>2</sup>     |
| Flexible, min. H05(07) V-K                        | 0.2 mm <sup>2</sup>     |
| Flexible, max. H05(07) V-K                        | 2.5 mm <sup>2</sup>     |
| With wire end ferrule, acc. to DIN 46 228/1, min. | 0.2 mm <sup>2</sup>     |
| With wire end ferrule, acc. to DIN 46 228/1, max. | 2.5 mm <sup>2</sup>     |
| w. plastic collar ferrule, DIN 46228 pt 4, min.   | 0.2 mm <sup>2</sup>     |
| w. plastic collar ferrule, DIN 46228 pt 4, max.   | 2.5 mm <sup>2</sup>     |
| Gauge to EN 60999 a x b; ø                        | 2.8 mm x 2.0 mm; 2.4 mm |

**DIN IEC rating data**

|  |                   |
|--|-------------------|
| Rated current, min. No. pins (Tu=20°C)   | 15 A              |
| Rated current, max. No. pins (Tu=20°C)   | 12 A              |
| Rated current, min. No. pins (Tu=40°C)   | 12 A              |
| Rated current, max. No. pins (Tu=40°C)   | 10 A              |
| Rated voltage for overvoltage class/pollution severity II/2                    | 400 V             |
| Rated voltage for overvoltage class/pollution severity III/2                   | 320 V             |
| Rated voltage for overvoltage class/pollution severity III/3                   | 250 V             |
| Rated impulse withstand voltage for overvoltage class/pollution severity II/2  | 4 kV              |
| Rated impulse withstand voltage for overvoltage class/pollution severity III/2 | 4 kV              |
| Rated impulse withstand voltage for overvoltage class/pollution severity III/3 | 4 kV              |
| Short-time withstand current resistance  | 3 x 1s with 120 A |

**CSA rating data**

|                                    |       |
|------------------------------------|-------|
| Rated voltage (Use group D)        | 300 V |
| Rated current (Use group D)        | 10 A  |
| AWG conductor (field wiring), min. | 26    |
| AWG conductor (field wiring), max. | 12    |

**UL 1059 rating data**

|                             |       |
|-----------------------------|-------|
| Rated voltage (Use group D) | 300 V |
| Rated current (Use group D) | 10 A  |
| AWG conductor, min.         | 26    |
| AWG conductor, max.         | 12    |

**Approvals**

Approvals institutes


**Classifications**

|            |             |
|------------|-------------|
| ETIM 2.0   | NK          |
| ETIM 3.0   | EC001284    |
| eClass 4.1 | 27-26-07-01 |
| eClass 5.0 | 27-26-07-01 |
| eClass 5.1 | 27-26-07-04 |

**Similar products**

| Order No.  | Part designation    | Version  |
|------------|---------------------|--|
| 1552760000 | BLZ 5.08/2/90 SN OR | PCB plug-in connector, Female connectors, Clamping yoke connection, Clamping range, max.: 3.31 mm <sup>2</sup> , Pitch: 5.08 mm, No. of poles: 2, 90°, Box |
| 1552710000 | BLZ 5.08/2/90 SN SW | PCB plug-in connector, Female connectors, Clamping yoke connection, Clamping range, max.: 3.31 mm <sup>2</sup> , Pitch: 5.08 mm, No. of poles: 2, 90°, Box |
| 1552860000 | BLZ 5.08/3/90 SN OR | PCB plug-in connector, Female connectors, Clamping yoke connection, Clamping range, max.: 3.31 mm <sup>2</sup> , Pitch: 5.08 mm, No. of poles: 3, 90°, Box |
| 1552810000 | BLZ 5.08/3/90 SN SW | PCB plug-in connector, Female connectors, Clamping yoke connection, Clamping range, max.: 3.31 mm <sup>2</sup> , Pitch: 5.08 mm, No. of poles: 3, 90°, Box |
| 1552960000 | BLZ 5.08/4/90 SN OR | PCB plug-in connector, Female connectors, Clamping yoke connection, Clamping range, max.: 3.31 mm <sup>2</sup> , Pitch: 5.08 mm, No. of poles: 4, 90°, Box |
| 1552910000 | BLZ 5.08/4/90 SN SW | PCB plug-in connector, Female connectors, Clamping yoke connection, Clamping range, max.: 3.31 mm <sup>2</sup> , Pitch: 5.08 mm, No. of poles: 4, 90°, Box |
| 1553060000 | BLZ 5.08/5/90 SN OR | PCB plug-in connector, Female connectors, Clamping yoke connection, Clamping range, max.: 3.31 mm <sup>2</sup> , Pitch: 5.08 mm, No. of poles: 5, 90°, Box |
| 1553010000 | BLZ 5.08/5/90 SN SW | PCB plug-in connector, Female connectors, Clamping yoke connection, Clamping range, max.: 3.31 mm <sup>2</sup> , Pitch: 5.08 mm, No. of poles: 5, 90°, Box |
| 1553160000 | BLZ 5.08/6/90 SN OR | PCB plug-in connector, Female connectors, Clamping yoke connection, Clamping range, max.: 3.31 mm <sup>2</sup> , Pitch: 5.08 mm, No. of poles: 6, 90°, Box |
| 1553110000 | BLZ 5.08/6/90 SN SW | PCB plug-in connector, Female connectors, Clamping yoke connection, Clamping range, max.: 3.31 mm <sup>2</sup> , Pitch: 5.08 mm, No. of poles: 6, 90°, Box |
| 1553260000 | BLZ 5.08/7/90 SN OR | PCB plug-in connector, Female connectors, Clamping yoke connection, Clamping range, max.: 3.31 mm <sup>2</sup> , Pitch: 5.08 mm, No. of poles: 7, 90°, Box |

Product catalogue | PCB connection systems | PCB plug-in connectors | Pitch 5.00 / 5.08 mm (0.197 / 0.200 inch) | Socket connectors, tension clamp connection, pitch 5.00/5.08 | BLZ 5.00-5.08/90/270 | BLZ 5.08/90

|            |                      |   |
|------------|----------------------|---|
| 1553210000 | BLZ 5.08/7/90 SN SW  | PCB plug-in connector, Female connectors, Clamping yoke connection, Clamping range, max.: 3.31 mm <sup>2</sup> , Pitch: 5.08 mm, No. of poles: 7, 90°, Box  |
| 1553360000 | BLZ 5.08/8/90 SN OR  | PCB plug-in connector, Female connectors, Clamping yoke connection, Clamping range, max.: 3.31 mm <sup>2</sup> , Pitch: 5.08 mm, No. of poles: 8, 90°, Box  |
| 1553310000 | BLZ 5.08/8/90 SN SW  | PCB plug-in connector, Female connectors, Clamping yoke connection, Clamping range, max.: 3.31 mm <sup>2</sup> , Pitch: 5.08 mm, No. of poles: 8, 90°, Box  |
| 1553460000 | BLZ 5.08/9/90 SN OR  | PCB plug-in connector, Female connectors, Clamping yoke connection, Clamping range, max.: 3.31 mm <sup>2</sup> , Pitch: 5.08 mm, No. of poles: 9, 90°, Box  |
| 1553410000 | BLZ 5.08/9/90 SN SW  | PCB plug-in connector, Female connectors, Clamping yoke connection, Clamping range, max.: 3.31 mm <sup>2</sup> , Pitch: 5.08 mm, No. of poles: 9, 90°, Box  |
| 1553560000 | BLZ 5.08/10/90 SN OR | PCB plug-in connector, Female connectors, Clamping yoke connection, Clamping range, max.: 3.31 mm <sup>2</sup> , Pitch: 5.08 mm, No. of poles: 10, 90°, Box |
| 1553510000 | BLZ 5.08/10/90 SN SW | PCB plug-in connector, Female connectors, Clamping yoke connection, Clamping range, max.: 3.31 mm <sup>2</sup> , Pitch: 5.08 mm, No. of poles: 10, 90°, Box |
| 1553660000 | BLZ 5.08/11/90 SN OR | PCB plug-in connector, Female connectors, Clamping yoke connection, Clamping range, max.: 3.31 mm <sup>2</sup> , Pitch: 5.08 mm, No. of poles: 11, 90°, Box |
| 1553610000 | BLZ 5.08/11/90 SN SW | PCB plug-in connector, Female connectors, Clamping yoke connection, Clamping range, max.: 3.31 mm <sup>2</sup> , Pitch: 5.08 mm, No. of poles: 11, 90°, Box |
| 1553760000 | BLZ 5.08/12/90 SN OR | PCB plug-in connector, Female connectors, Clamping yoke connection, Clamping range, max.: 3.31 mm <sup>2</sup> , Pitch: 5.08 mm, No. of poles: 12, 90°, Box |
| 1553710000 | BLZ 5.08/12/90 SN SW | PCB plug-in connector, Female connectors, Clamping yoke connection, Clamping range, max.: 3.31 mm <sup>2</sup> , Pitch: 5.08 mm, No. of poles: 12, 90°, Box |
| 1553860000 | BLZ 5.08/13/90 SN OR | PCB plug-in connector, Female connectors, Clamping yoke connection, Clamping range, max.: 3.31 mm <sup>2</sup> , Pitch: 5.08 mm, No. of poles: 13, 90°, Box |
| 1553810000 | BLZ 5.08/13/90 SN SW | PCB plug-in connector, Female connectors, Clamping yoke connection, Clamping range, max.: 3.31 mm <sup>2</sup> , Pitch: 5.08 mm, No. of poles: 13, 90°, Box |
| 1553960000 | BLZ 5.08/14/90 SN OR | PCB plug-in connector, Female connectors, Clamping yoke connection, Clamping range, max.: 3.31 mm <sup>2</sup> , Pitch: 5.08 mm, No. of poles: 14, 90°, Box |
| 1553910000 | BLZ 5.08/14/90 SN SW | PCB plug-in connector, Female connectors, Clamping yoke connection, Clamping range, max.: 3.31 mm <sup>2</sup> , Pitch: 5.08 mm, No. of poles: 14, 90°, Box |
| 1554060000 | BLZ 5.08/15/90 SN OR | PCB plug-in connector, Female connectors, Clamping yoke connection, Clamping range, max.: 3.31 mm <sup>2</sup> , Pitch: 5.08 mm, No. of poles: 15, 90°, Box |
| 1554010000 | BLZ 5.08/15/90 SN SW | PCB plug-in connector, Female connectors, Clamping yoke connection, Clamping range, max.: 3.31 mm <sup>2</sup> , Pitch: 5.08 mm, No. of poles: 15, 90°, Box |

Product catalogue | PCB connection systems | PCB plug-in connectors | Pitch 5.00 / 5.08 mm (0.197 / 0.200 inch) | Socket connectors, tension clamp connection, pitch 5.00/5.08 | BLZ 5.00-5.08/90/270 | BLZ 5.08/90

|            |                      |   |
|------------|----------------------|---|
| 1554160000 | BLZ 5.08/16/90 SN OR | PCB plug-in connector, Female connectors, Clamping yoke connection, Clamping range, max.: 3.31 mm <sup>2</sup> , Pitch: 5.08 mm, No. of poles: 16, 90°, Box |
| 1554110000 | BLZ 5.08/16/90 SN SW | PCB plug-in connector, Female connectors, Clamping yoke connection, Clamping range, max.: 3.31 mm <sup>2</sup> , Pitch: 5.08 mm, No. of poles: 16, 90°, Box |
| 1554260000 | BLZ 5.08/17/90 SN OR | PCB plug-in connector, Female connectors, Clamping yoke connection, Clamping range, max.: 3.31 mm <sup>2</sup> , Pitch: 5.08 mm, No. of poles: 17, 90°, Box |
| 1554210000 | BLZ 5.08/17/90 SN SW | PCB plug-in connector, Female connectors, Clamping yoke connection, Clamping range, max.: 3.31 mm <sup>2</sup> , Pitch: 5.08 mm, No. of poles: 17, 90°, Box |
| 1554360000 | BLZ 5.08/18/90 SN OR | PCB plug-in connector, Female connectors, Clamping yoke connection, Clamping range, max.: 3.31 mm <sup>2</sup> , Pitch: 5.08 mm, No. of poles: 18, 90°, Box |
| 1554310000 | BLZ 5.08/18/90 SN SW | PCB plug-in connector, Female connectors, Clamping yoke connection, Clamping range, max.: 3.31 mm <sup>2</sup> , Pitch: 5.08 mm, No. of poles: 18, 90°, Box |
| 1554460000 | BLZ 5.08/19/90 SN OR | PCB plug-in connector, Female connectors, Clamping yoke connection, Clamping range, max.: 3.31 mm <sup>2</sup> , Pitch: 5.08 mm, No. of poles: 19, 90°, Box |
| 1554410000 | BLZ 5.08/19/90 SN SW | PCB plug-in connector, Female connectors, Clamping yoke connection, Clamping range, max.: 3.31 mm <sup>2</sup> , Pitch: 5.08 mm, No. of poles: 19, 90°, Box |
| 1554560000 | BLZ 5.08/20/90 SN OR | PCB plug-in connector, Female connectors, Clamping yoke connection, Clamping range, max.: 3.31 mm <sup>2</sup> , Pitch: 5.08 mm, No. of poles: 20, 90°, Box |
| 1554510000 | BLZ 5.08/20/90 SN SW | PCB plug-in connector, Female connectors, Clamping yoke connection, Clamping range, max.: 3.31 mm <sup>2</sup> , Pitch: 5.08 mm, No. of poles: 20, 90°, Box |
| 1554660000 | BLZ 5.08/21/90 SN OR | PCB plug-in connector, Female connectors, Clamping yoke connection, Clamping range, max.: 3.31 mm <sup>2</sup> , Pitch: 5.08 mm, No. of poles: 21, 90°, Box |
| 1554610000 | BLZ 5.08/21/90 SN SW | PCB plug-in connector, Female connectors, Clamping yoke connection, Clamping range, max.: 3.31 mm <sup>2</sup> , Pitch: 5.08 mm, No. of poles: 21, 90°, Box |
| 1554760000 | BLZ 5.08/22/90 SN OR | PCB plug-in connector, Female connectors, Clamping yoke connection, Clamping range, max.: 3.31 mm <sup>2</sup> , Pitch: 5.08 mm, No. of poles: 22, 90°, Box |
| 1554710000 | BLZ 5.08/22/90 SN SW | PCB plug-in connector, Female connectors, Clamping yoke connection, Clamping range, max.: 3.31 mm <sup>2</sup> , Pitch: 5.08 mm, No. of poles: 22, 90°, Box |
| 1554860000 | BLZ 5.08/23/90 SN OR | PCB plug-in connector, Female connectors, Clamping yoke connection, Clamping range, max.: 3.31 mm <sup>2</sup> , Pitch: 5.08 mm, No. of poles: 23, 90°, Box |
| 1554960000 | BLZ 5.08/24/90 SN OR | PCB plug-in connector, Female connectors, Clamping yoke connection, Clamping range, max.: 3.31 mm <sup>2</sup> , Pitch: 5.08 mm, No. of poles: 24, 90°, Box |
| 1554910000 | BLZ 5.08/24/90 SN SW | PCB plug-in connector, Female connectors, Clamping yoke connection, Clamping range, max.: 3.31 mm <sup>2</sup> , Pitch: 5.08 mm, No. of poles: 24, 90°, Box |