

Excellent Integrated System Limited

Stocking Distributor

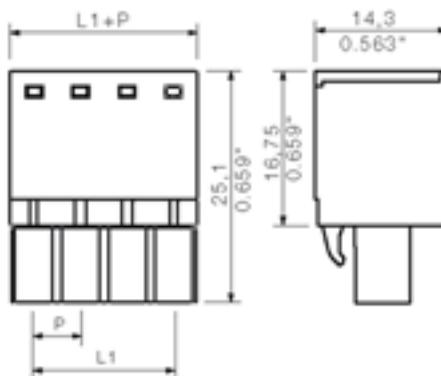
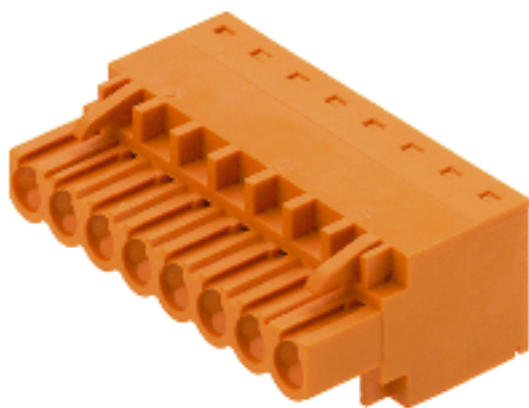
Click to view price, real time Inventory, Delivery & Lifecycle Information:

[Weidmüller](#)
[1672300000](#)

For any questions, you can email us directly:

sales@integrated-circuit.com

Product catalogue | PCB connection systems | PCB plug-in connectors | Pitch 5.00 / 5.08 mm (0.197 / 0.200 inch) | Socket connectors, tension spring connection, pitch 5.00/5.08 | BLZF 5.08/90/270 | BLZF 5.08/270


General ordering data

Order No.	1672300000
Part designation	BLZF 5.08/15/270 SN SW
Version	PCB plug-in connector, Female connectors, Tension clamp connection, Clamping range, max.: 3.31 mm ² , Pitch: 5.08 mm, No. of poles: 15, 270°, Box
EAN	4008190434014
Qty.	50 pc(s).

System parameters

Conductor connection system	Tension clamp connection
Outgoing direction of conductor	270°
Pitch	5.08 mm
Pitch in inch	0.2 inch
No. of poles	15
No. of rows	1
Screwdriver blade	0.6 x 3.5
Screwdriver blade standard	DIN 5264-A
Stripping length	10 mm
L1 in mm	71.12 mm
L1 in inch	2.8 inch
Electric shock protection to DIN VDE 0470	Finger-safe plugged/ back-of-hand-safe unplugged

Product catalogue | PCB connection systems | PCB plug-in connectors | Pitch 5.00 / 5.08 mm (0.197 / 0.200 inch) | Socket connectors, tension spring connection, pitch 5.00/5.08 | BLZF 5.08/90/270 | BLZF 5.08/270

System parameters

Material data

Insulating material	PBT
Colour	black
colour chart	Similar to RAL 9011
Insulating material group	IIIa
Flammability class UL 94	V-0
CTI	>= 200
Contact base material	Copper alloy
Contact surface	tinned

Connectable conductors

Clamping range, min.	0.13 mm ²
Clamping range, max.	3.31 mm ²
AWG, min.	26
AWG, max.	12
Solid, min. H05(07) V-U	0.2 mm ²
Solid, max. H05(07) V-U	2.5 mm ²
Flexible, min. H05(07) V-K	0.2 mm ²
Flexible, max. H05(07) V-K	2.5 mm ²
With wire end ferrule, acc. to DIN 46 228/1, min.	0.2 mm ²
With wire end ferrule, acc. to DIN 46 228/1, max.	1.5 mm ²
w. plastic collar ferrule, DIN 46228 pt 4, min.	0.2 mm ²
w. plastic collar ferrule, DIN 46228 pt 4, max.	1.5 mm ²
Gauge to EN 60999 a x b; ø	2.8 mm x 2.0 mm;

DIN IEC rating data

Rated current, min. No. pins (Tu=20°C)	16.5 A
Rated current, max. No. pins (Tu=20°C)	12.5 A
Rated current, min. No. pins (Tu=40°C)	14 A
Rated current, max. No. pins (Tu=40°C)	11 A
Rated voltage for overvoltage class/pollution severity II/2	400 V
Rated voltage for overvoltage class/pollution severity III/2	320 V
Rated voltage for overvoltage class/pollution severity III/3	250 V
Rated impulse withstand voltage for overvoltage class/pollution severity II/2	4 kV
Rated impulse withstand voltage for overvoltage class/pollution severity III/2	4 kV
Rated impulse withstand voltage for overvoltage class/pollution severity III/3	4 kV
Short-time withstand current resistance	3 x 1s with 120 A

CSA rating data

Rated voltage (Use group D)	300 V
Rated current (Use group D)	10 A
AWG conductor (field wiring), min.	26
AWG conductor (field wiring), max.	12

Product catalogue | PCB connection systems | PCB plug-in connectors | Pitch 5.00 / 5.08 mm (0.197 / 0.200 inch) | Socket connectors, tension spring connection, pitch 5.00/5.08 | BLZF 5.08/90/270 | BLZF 5.08/270

UL 1059 rating data

Rated voltage (Use group D)	300 V
Rated current (Use group D)	10 A
AWG conductor, min.	26
AWG conductor, max.	12

Approvals

Approvals institutes


Classifications

ETIM 2.0	NK
ETIM 3.0	EC001284
eClass 4.1	27-26-07-01
eClass 5.0	27-26-07-01
eClass 5.1	27-26-07-04

Similar products

Order No.	Part designation	Version
1671940000	BLZF 5.08/2/270 SN OR	PCB plug-in connector, Female connectors, Tension clamp connection, Clamping range, max.: 3.31 mm ² , Pitch: 5.08 mm, No. of poles: 2, 270°, Box
1672170000	BLZF 5.08/2/270 SN SW	PCB plug-in connector, Female connectors, Tension clamp connection, Clamping range, max.: 3.31 mm ² , Pitch: 5.08 mm, No. of poles: 2, 270°, Box
1671950000	BLZF 5.08/3/270 SN OR	PCB plug-in connector, Female connectors, Tension clamp connection, Clamping range, max.: 3.31 mm ² , Pitch: 5.08 mm, No. of poles: 3, 270°, Box
1672180000	BLZF 5.08/3/270 SN SW	PCB plug-in connector, Female connectors, Tension clamp connection, Clamping range, max.: 3.31 mm ² , Pitch: 5.08 mm, No. of poles: 3, 270°, Box
1671960000	BLZF 5.08/4/270 SN OR	PCB plug-in connector, Female connectors, Tension clamp connection, Clamping range, max.: 3.31 mm ² , Pitch: 5.08 mm, No. of poles: 4, 270°, Box
1672190000	BLZF 5.08/4/270 SN SW	PCB plug-in connector, Female connectors, Tension clamp connection, Clamping range, max.: 3.31 mm ² , Pitch: 5.08 mm, No. of poles: 4, 270°, Box
1671970000	BLZF 5.08/5/270 SN OR	PCB plug-in connector, Female connectors, Tension clamp connection, Clamping range, max.: 3.31 mm ² , Pitch: 5.08 mm, No. of poles: 5, 270°, Box
1672200000	BLZF 5.08/5/270 SN SW	PCB plug-in connector, Female connectors, Tension clamp connection, Clamping range, max.: 3.31 mm ² , Pitch: 5.08 mm, No. of poles: 5, 270°, Box
1671980000	BLZF 5.08/6/270 SN OR	PCB plug-in connector, Female connectors, Tension clamp connection, Clamping range, max.: 3.31 mm ² , Pitch: 5.08 mm, No. of poles: 6, 270°, Box

Product catalogue | PCB connection systems | PCB plug-in connectors | Pitch 5.00 / 5.08 mm (0.197 / 0.200 inch) | Socket connectors, tension spring connection, pitch 5.00/5.08 | BLZF 5.08/90/270 | BLZF 5.08/270

1672210000	BLZF 5.08/6/270 SN SW	PCB plug-in connector, Female connectors, Tension clamp connection, Clamping range, max.: 3.31 mm ² , Pitch: 5.08 mm, No. of poles: 6, 270°, Box
1671990000	BLZF 5.08/7/270 SN OR	PCB plug-in connector, Female connectors, Tension clamp connection, Clamping range, max.: 3.31 mm ² , Pitch: 5.08 mm, No. of poles: 7, 270°, Box
1672220000	BLZF 5.08/7/270 SN SW	PCB plug-in connector, Female connectors, Tension clamp connection, Clamping range, max.: 3.31 mm ² , Pitch: 5.08 mm, No. of poles: 7, 270°, Box
1672000000	BLZF 5.08/8/270 SN OR	PCB plug-in connector, Female connectors, Tension clamp connection, Clamping range, max.: 3.31 mm ² , Pitch: 5.08 mm, No. of poles: 8, 270°, Box
1672230000	BLZF 5.08/8/270 SN SW	PCB plug-in connector, Female connectors, Tension clamp connection, Clamping range, max.: 3.31 mm ² , Pitch: 5.08 mm, No. of poles: 8, 270°, Box
1672010000	BLZF 5.08/9/270 SN OR	PCB plug-in connector, Female connectors, Tension clamp connection, Clamping range, max.: 3.31 mm ² , Pitch: 5.08 mm, No. of poles: 9, 270°, Box
1672240000	BLZF 5.08/9/270 SN SW	PCB plug-in connector, Female connectors, Tension clamp connection, Clamping range, max.: 3.31 mm ² , Pitch: 5.08 mm, No. of poles: 9, 270°, Box
1672020000	BLZF 5.08/10/270 SN OR	PCB plug-in connector, Female connectors, Tension clamp connection, Clamping range, max.: 3.31 mm ² , Pitch: 5.08 mm, No. of poles: 10, 270°, Box
1672250000	BLZF 5.08/10/270 SN SW	PCB plug-in connector, Female connectors, Tension clamp connection, Clamping range, max.: 3.31 mm ² , Pitch: 5.08 mm, No. of poles: 10, 270°, Box
1672030000	BLZF 5.08/11/270 SN OR	PCB plug-in connector, Female connectors, Tension clamp connection, Clamping range, max.: 3.31 mm ² , Pitch: 5.08 mm, No. of poles: 11, 270°, Box
1672260000	BLZF 5.08/11/270 SN SW	PCB plug-in connector, Female connectors, Tension clamp connection, Clamping range, max.: 3.31 mm ² , Pitch: 5.08 mm, No. of poles: 11, 270°, Box
1672040000	BLZF 5.08/12/270 SN OR	PCB plug-in connector, Female connectors, Tension clamp connection, Clamping range, max.: 3.31 mm ² , Pitch: 5.08 mm, No. of poles: 12, 270°, Box
1672270000	BLZF 5.08/12/270 SN SW	PCB plug-in connector, Female connectors, Tension clamp connection, Clamping range, max.: 3.31 mm ² , Pitch: 5.08 mm, No. of poles: 12, 270°, Box
1672050000	BLZF 5.08/13/270 SN OR	PCB plug-in connector, Female connectors, Tension clamp connection, Clamping range, max.: 3.31 mm ² , Pitch: 5.08 mm, No. of poles: 13, 270°, Box
1672280000	BLZF 5.08/13/270 SN SW	PCB plug-in connector, Female connectors, Tension clamp connection, Clamping range, max.: 3.31 mm ² , Pitch: 5.08 mm, No. of poles: 13, 270°, Box
1672060000	BLZF 5.08/14/270 SN OR	PCB plug-in connector, Female connectors, Tension clamp connection, Clamping range, max.: 3.31 mm ² , Pitch: 5.08 mm, No. of poles: 14, 270°, Box
1672290000	BLZF 5.08/14/270 SN SW	PCB plug-in connector, Female connectors, Tension clamp connection, Clamping range, max.: 3.31 mm ² , Pitch: 5.08 mm, No. of poles: 14, 270°, Box

Product catalogue | PCB connection systems | PCB plug-in connectors | Pitch 5.00 / 5.08 mm (0.197 / 0.200 inch) | Socket connectors, tension spring connection, pitch 5.00/5.08 | BLZF 5.08/90/270 | BLZF 5.08/270

1672070000	BLZF 5.08/15/270 SN OR	PCB plug-in connector, Female connectors, Tension clamp connection, Clamping range, max.: 3.31 mm ² , Pitch: 5.08 mm, No. of poles: 15, 270°, Box
1672080000	BLZF 5.08/16/270 SN OR	PCB plug-in connector, Female connectors, Tension clamp connection, Clamping range, max.: 3.31 mm ² , Pitch: 5.08 mm, No. of poles: 16, 270°, Box
1672310000	BLZF 5.08/16/270 SN SW	PCB plug-in connector, Female connectors, Tension clamp connection, Clamping range, max.: 3.31 mm ² , Pitch: 5.08 mm, No. of poles: 16, 270°, Box
1672090000	BLZF 5.08/17/270 SN OR	PCB plug-in connector, Female connectors, Tension clamp connection, Clamping range, max.: 3.31 mm ² , Pitch: 5.08 mm, No. of poles: 17, 270°, Box
1672100000	BLZF 5.08/18/270 SN OR	PCB plug-in connector, Female connectors, Tension clamp connection, Clamping range, max.: 3.31 mm ² , Pitch: 5.08 mm, No. of poles: 18, 270°, Box
1672320000	BLZF 5.08/17/270 SN SW	PCB plug-in connector, Female connectors, Tension clamp connection, Clamping range, max.: 3.31 mm ² , Pitch: 5.08 mm, No. of poles: 17, 270°, Box
1672330000	BLZF 5.08/18/270 SN SW	PCB plug-in connector, Female connectors, Tension clamp connection, Clamping range, max.: 3.31 mm ² , Pitch: 5.08 mm, No. of poles: 18, 270°, Box
1672110000	BLZF 5.08/19/270 SN OR	PCB plug-in connector, Female connectors, Tension clamp connection, Clamping range, max.: 3.31 mm ² , Pitch: 5.08 mm, No. of poles: 19, 270°, Box
1672340000	BLZF 5.08/19/270 SN SW	PCB plug-in connector, Female connectors, Tension clamp connection, Clamping range, max.: 3.31 mm ² , Pitch: 5.08 mm, No. of poles: 19, 270°, Box
1672120000	BLZF 5.08/20/270 SN OR	PCB plug-in connector, Female connectors, Tension clamp connection, Clamping range, max.: 3.31 mm ² , Pitch: 5.08 mm, No. of poles: 20, 270°, Box
1672350000	BLZF 5.08/20/270 SN SW	PCB plug-in connector, Female connectors, Tension clamp connection, Clamping range, max.: 3.31 mm ² , Pitch: 5.08 mm, No. of poles: 20, 270°, Box
1672130000	BLZF 5.08/21/270 SN OR	PCB plug-in connector, Female connectors, Tension clamp connection, Clamping range, max.: 3.31 mm ² , Pitch: 5.08 mm, No. of poles: 21, 270°, Box
1672360000	BLZF 5.08/21/270 SN SW	PCB plug-in connector, Female connectors, Tension clamp connection, Clamping range, max.: 3.31 mm ² , Pitch: 5.08 mm, No. of poles: 21, 270°, Box
1672140000	BLZF 5.08/22/270 SN OR	PCB plug-in connector, Female connectors, Tension clamp connection, Clamping range, max.: 3.31 mm ² , Pitch: 5.08 mm, No. of poles: 22, 270°, Box
1672370000	BLZF 5.08/22/270 SN SW	PCB plug-in connector, Female connectors, Tension clamp connection, Clamping range, max.: 3.31 mm ² , Pitch: 5.08 mm, No. of poles: 22, 270°, Box
1672150000	BLZF 5.08/23/270 SN OR	PCB plug-in connector, Female connectors, Tension clamp connection, Clamping range, max.: 3.31 mm ² , Pitch: 5.08 mm, No. of poles: 23, 270°, Box
1672380000	BLZF 5.08/23/270 SN SW	PCB plug-in connector, Female connectors, Tension clamp connection, Clamping range, max.: 3.31 mm ² , Pitch: 5.08 mm, No. of poles: 23, 270°, Box

Product catalogue | PCB connection systems | PCB plug-in connectors | Pitch 5.00 / 5.08 mm (0.197 / 0.200 inch) | Socket connectors, tension spring connection, pitch 5.00/5.08 | BLZF 5.08/90/270 | BLZF 5.08/270

1672160000	BLZF 5.08/24/270 SN OR	PCB plug-in connector, Female connectors, Tension clamp connection, Clamping range, max.: 3.31 mm ² , Pitch: 5.08 mm, No. of poles: 24, 270°, Box
1672390000	BLZF 5.08/24/270 SN SW	PCB plug-in connector, Female connectors, Tension clamp connection, Clamping range, max.: 3.31 mm ² , Pitch: 5.08 mm, No. of poles: 24, 270°, Box