

## Excellent Integrated System Limited

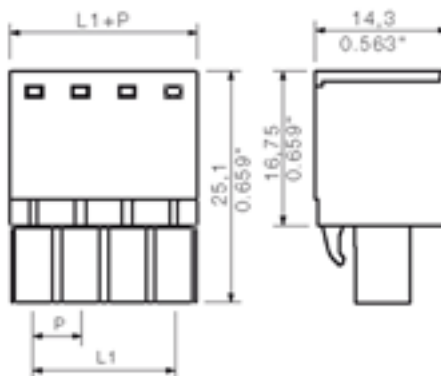
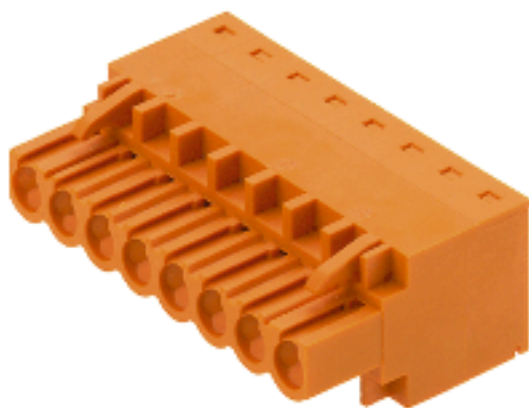
Stocking Distributor

Click to view price, real time Inventory, Delivery & Lifecycle Information:

[Weidmüller](#)  
[1672080000](#)

For any questions, you can email us directly:  
[sales@integrated-circuit.com](mailto:sales@integrated-circuit.com)

Product catalogue | PCB connection systems | PCB plug-in connectors | Pitch 5.00 / 5.08 mm (0.197 / 0.200 inch) | Socket connectors, tension spring connection, pitch 5.00/5.08 | BLZF 5.08/90/270 | BLZF 5.08/270


**General ordering data**

|                  |  |
|------------------|--|
| Order No.        | 1672080000   |
| Part designation | BLZF 5.08/16/270 SN OR   |
| Version          | PCB plug-in connector, Female connectors, Tension clamp connection, Clamping range, max.: 3.31 mm <sup>2</sup> , Pitch: 5.08 mm, No. of poles: 16, 270°, Box |
| EAN              | 4008190433796  |
| Qty.             | 50 pc(s).  |

**System parameters**

|   |  |
|---|--|
| Conductor connection system               | Tension clamp connection                         |
| Outgoing direction of conductor           | 270°   |
| Pitch                                     | 5.08 mm  |
| Pitch in inch                             | 0.2 inch   |
| No. of poles                              | 16   |
| No. of rows                               | 1  |
| Screwdriver blade                         | 0.6 x 3.5  |
| Screwdriver blade standard                | DIN 5264-A                                       |
| Stripping length                          | 10 mm  |
| L1 in mm                                  | 76.2 mm  |
| L1 in inch                                | 3 inch   |
| Electric shock protection to DIN VDE 0470 | Finger-safe plugged/ back-of-hand-safe unplugged |

## System parameters

### Material data

|                           |                     |
|---------------------------|---------------------|
| Insulating material       | PBT                 |
| Colour                    | orange              |
| colour chart              | Similar to RAL 2000 |
| Insulating material group | IIIa                |
| Flammability class UL 94  | V-0                 |
| CTI                       | >= 200              |
| Contact base material     | Copper alloy        |
| Contact surface           | tinned              |

### Connectable conductors

|   |                      |
|---|----------------------|
| Clamping range, min.                              | 0.13 mm <sup>2</sup> |
| Clamping range, max.                              | 3.31 mm <sup>2</sup> |
| AWG, min.   | 26                   |
| AWG, max.   | 12                   |
| Solid, min. H05(07) V-U                           | 0.2 mm <sup>2</sup>  |
| Solid, max. H05(07) V-U                           | 2.5 mm <sup>2</sup>  |
| Flexible, min. H05(07) V-K                        | 0.2 mm <sup>2</sup>  |
| Flexible, max. H05(07) V-K                        | 2.5 mm <sup>2</sup>  |
| With wire end ferrule, acc. to DIN 46 228/1, min. | 0.2 mm <sup>2</sup>  |
| With wire end ferrule, acc. to DIN 46 228/1, max. | 1.5 mm <sup>2</sup>  |
| w. plastic collar ferrule, DIN 46228 pt 4, min.   | 0.2 mm <sup>2</sup>  |
| w. plastic collar ferrule, DIN 46228 pt 4, max.   | 1.5 mm <sup>2</sup>  |
| Gauge to EN 60999 a x b; ø                        | 2.8 mm x 2.0 mm;     |

### DIN IEC rating data

|  |                   |
|--|-------------------|
| Rated current, min. No. pins (Tu=20°C)   | 16.5 A            |
| Rated current, max. No. pins (Tu=20°C)   | 12.5 A            |
| Rated current, min. No. pins (Tu=40°C)   | 14 A              |
| Rated current, max. No. pins (Tu=40°C)   | 11 A              |
| Rated voltage for overvoltage class/pollution severity II/2                    | 400 V             |
| Rated voltage for overvoltage class/pollution severity III/2                   | 320 V             |
| Rated voltage for overvoltage class/pollution severity III/3                   | 250 V             |
| Rated impulse withstand voltage for overvoltage class/pollution severity II/2  | 4 kV              |
| Rated impulse withstand voltage for overvoltage class/pollution severity III/2 | 4 kV              |
| Rated impulse withstand voltage for overvoltage class/pollution severity III/3 | 4 kV              |
| Short-time withstand current resistance  | 3 x 1s with 120 A |

### CSA rating data

|                                    |       |
|------------------------------------|-------|
| Rated voltage (Use group D)        | 300 V |
| Rated current (Use group D)        | 10 A  |
| AWG conductor (field wiring), min. | 26    |
| AWG conductor (field wiring), max. | 12    |

Product catalogue | PCB connection systems | PCB plug-in connectors | Pitch 5.00 / 5.08 mm (0.197 / 0.200 inch) | Socket connectors, tension spring connection, pitch 5.00/5.08 | BLZF 5.08/90/270 | BLZF 5.08/270

**UL 1059 rating data**

|                             |       |
|-----------------------------|-------|
| Rated voltage (Use group D) | 300 V |
| Rated current (Use group D) | 10 A  |
| AWG conductor, min.         | 26    |
| AWG conductor, max.         | 12    |

**Approvals**

Approvals institutes


**Classifications**

|            |             |
|------------|-------------|
| ETIM 2.0   | NK          |
| ETIM 3.0   | EC001284    |
| eClass 4.1 | 27-26-07-01 |
| eClass 5.0 | 27-26-07-01 |
| eClass 5.1 | 27-26-07-04 |

**Similar products**

| Order No.  | Part designation      | Version   |
|------------|-----------------------|---|
| 1671940000 | BLZF 5.08/2/270 SN OR | PCB plug-in connector, Female connectors, Tension clamp connection, Clamping range, max.: 3.31 mm <sup>2</sup> , Pitch: 5.08 mm, No. of poles: 2, 270°, Box |
| 1672170000 | BLZF 5.08/2/270 SN SW | PCB plug-in connector, Female connectors, Tension clamp connection, Clamping range, max.: 3.31 mm <sup>2</sup> , Pitch: 5.08 mm, No. of poles: 2, 270°, Box |
| 1671950000 | BLZF 5.08/3/270 SN OR | PCB plug-in connector, Female connectors, Tension clamp connection, Clamping range, max.: 3.31 mm <sup>2</sup> , Pitch: 5.08 mm, No. of poles: 3, 270°, Box |
| 1672180000 | BLZF 5.08/3/270 SN SW | PCB plug-in connector, Female connectors, Tension clamp connection, Clamping range, max.: 3.31 mm <sup>2</sup> , Pitch: 5.08 mm, No. of poles: 3, 270°, Box |
| 1671960000 | BLZF 5.08/4/270 SN OR | PCB plug-in connector, Female connectors, Tension clamp connection, Clamping range, max.: 3.31 mm <sup>2</sup> , Pitch: 5.08 mm, No. of poles: 4, 270°, Box |
| 1672190000 | BLZF 5.08/4/270 SN SW | PCB plug-in connector, Female connectors, Tension clamp connection, Clamping range, max.: 3.31 mm <sup>2</sup> , Pitch: 5.08 mm, No. of poles: 4, 270°, Box |
| 1671970000 | BLZF 5.08/5/270 SN OR | PCB plug-in connector, Female connectors, Tension clamp connection, Clamping range, max.: 3.31 mm <sup>2</sup> , Pitch: 5.08 mm, No. of poles: 5, 270°, Box |
| 1672200000 | BLZF 5.08/5/270 SN SW | PCB plug-in connector, Female connectors, Tension clamp connection, Clamping range, max.: 3.31 mm <sup>2</sup> , Pitch: 5.08 mm, No. of poles: 5, 270°, Box |
| 1671980000 | BLZF 5.08/6/270 SN OR | PCB plug-in connector, Female connectors, Tension clamp connection, Clamping range, max.: 3.31 mm <sup>2</sup> , Pitch: 5.08 mm, No. of poles: 6, 270°, Box |

Product catalogue | PCB connection systems | PCB plug-in connectors | Pitch 5.00 / 5.08 mm (0.197 / 0.200 inch) | Socket connectors, tension spring connection, pitch 5.00/5.08 | BLZF 5.08/90/270 | BLZF 5.08/270

|            |                        |  |
|------------|------------------------|--|
| 1672210000 | BLZF 5.08/6/270 SN SW  | PCB plug-in connector, Female connectors, Tension clamp connection, Clamping range, max.: 3.31 mm <sup>2</sup> , Pitch: 5.08 mm, No. of poles: 6, 270°, Box  |
| 1671990000 | BLZF 5.08/7/270 SN OR  | PCB plug-in connector, Female connectors, Tension clamp connection, Clamping range, max.: 3.31 mm <sup>2</sup> , Pitch: 5.08 mm, No. of poles: 7, 270°, Box  |
| 1672220000 | BLZF 5.08/7/270 SN SW  | PCB plug-in connector, Female connectors, Tension clamp connection, Clamping range, max.: 3.31 mm <sup>2</sup> , Pitch: 5.08 mm, No. of poles: 7, 270°, Box  |
| 1672000000 | BLZF 5.08/8/270 SN OR  | PCB plug-in connector, Female connectors, Tension clamp connection, Clamping range, max.: 3.31 mm <sup>2</sup> , Pitch: 5.08 mm, No. of poles: 8, 270°, Box  |
| 1672230000 | BLZF 5.08/8/270 SN SW  | PCB plug-in connector, Female connectors, Tension clamp connection, Clamping range, max.: 3.31 mm <sup>2</sup> , Pitch: 5.08 mm, No. of poles: 8, 270°, Box  |
| 1672010000 | BLZF 5.08/9/270 SN OR  | PCB plug-in connector, Female connectors, Tension clamp connection, Clamping range, max.: 3.31 mm <sup>2</sup> , Pitch: 5.08 mm, No. of poles: 9, 270°, Box  |
| 1672240000 | BLZF 5.08/9/270 SN SW  | PCB plug-in connector, Female connectors, Tension clamp connection, Clamping range, max.: 3.31 mm <sup>2</sup> , Pitch: 5.08 mm, No. of poles: 9, 270°, Box  |
| 1672020000 | BLZF 5.08/10/270 SN OR | PCB plug-in connector, Female connectors, Tension clamp connection, Clamping range, max.: 3.31 mm <sup>2</sup> , Pitch: 5.08 mm, No. of poles: 10, 270°, Box |
| 1672250000 | BLZF 5.08/10/270 SN SW | PCB plug-in connector, Female connectors, Tension clamp connection, Clamping range, max.: 3.31 mm <sup>2</sup> , Pitch: 5.08 mm, No. of poles: 10, 270°, Box |
| 1672030000 | BLZF 5.08/11/270 SN OR | PCB plug-in connector, Female connectors, Tension clamp connection, Clamping range, max.: 3.31 mm <sup>2</sup> , Pitch: 5.08 mm, No. of poles: 11, 270°, Box |
| 1672260000 | BLZF 5.08/11/270 SN SW | PCB plug-in connector, Female connectors, Tension clamp connection, Clamping range, max.: 3.31 mm <sup>2</sup> , Pitch: 5.08 mm, No. of poles: 11, 270°, Box |
| 1672040000 | BLZF 5.08/12/270 SN OR | PCB plug-in connector, Female connectors, Tension clamp connection, Clamping range, max.: 3.31 mm <sup>2</sup> , Pitch: 5.08 mm, No. of poles: 12, 270°, Box |
| 1672270000 | BLZF 5.08/12/270 SN SW | PCB plug-in connector, Female connectors, Tension clamp connection, Clamping range, max.: 3.31 mm <sup>2</sup> , Pitch: 5.08 mm, No. of poles: 12, 270°, Box |
| 1672050000 | BLZF 5.08/13/270 SN OR | PCB plug-in connector, Female connectors, Tension clamp connection, Clamping range, max.: 3.31 mm <sup>2</sup> , Pitch: 5.08 mm, No. of poles: 13, 270°, Box |
| 1672280000 | BLZF 5.08/13/270 SN SW | PCB plug-in connector, Female connectors, Tension clamp connection, Clamping range, max.: 3.31 mm <sup>2</sup> , Pitch: 5.08 mm, No. of poles: 13, 270°, Box |
| 1672060000 | BLZF 5.08/14/270 SN OR | PCB plug-in connector, Female connectors, Tension clamp connection, Clamping range, max.: 3.31 mm <sup>2</sup> , Pitch: 5.08 mm, No. of poles: 14, 270°, Box |
| 1672290000 | BLZF 5.08/14/270 SN SW | PCB plug-in connector, Female connectors, Tension clamp connection, Clamping range, max.: 3.31 mm <sup>2</sup> , Pitch: 5.08 mm, No. of poles: 14, 270°, Box |

Product catalogue | PCB connection systems | PCB plug-in connectors | Pitch 5.00 / 5.08 mm (0.197 / 0.200 inch) | Socket connectors, tension spring connection, pitch 5.00/5.08 | BLZF 5.08/90/270 | BLZF 5.08/270

|            |                        |  |
|------------|------------------------|--|
| 1672070000 | BLZF 5.08/15/270 SN OR | PCB plug-in connector, Female connectors, Tension clamp connection, Clamping range, max.: 3.31 mm <sup>2</sup> , Pitch: 5.08 mm, No. of poles: 15, 270°, Box |
| 1672300000 | BLZF 5.08/15/270 SN SW | PCB plug-in connector, Female connectors, Tension clamp connection, Clamping range, max.: 3.31 mm <sup>2</sup> , Pitch: 5.08 mm, No. of poles: 15, 270°, Box |
| 1672310000 | BLZF 5.08/16/270 SN SW | PCB plug-in connector, Female connectors, Tension clamp connection, Clamping range, max.: 3.31 mm <sup>2</sup> , Pitch: 5.08 mm, No. of poles: 16, 270°, Box |
| 1672090000 | BLZF 5.08/17/270 SN OR | PCB plug-in connector, Female connectors, Tension clamp connection, Clamping range, max.: 3.31 mm <sup>2</sup> , Pitch: 5.08 mm, No. of poles: 17, 270°, Box |
| 1672100000 | BLZF 5.08/18/270 SN OR | PCB plug-in connector, Female connectors, Tension clamp connection, Clamping range, max.: 3.31 mm <sup>2</sup> , Pitch: 5.08 mm, No. of poles: 18, 270°, Box |
| 1672320000 | BLZF 5.08/17/270 SN SW | PCB plug-in connector, Female connectors, Tension clamp connection, Clamping range, max.: 3.31 mm <sup>2</sup> , Pitch: 5.08 mm, No. of poles: 17, 270°, Box |
| 1672330000 | BLZF 5.08/18/270 SN SW | PCB plug-in connector, Female connectors, Tension clamp connection, Clamping range, max.: 3.31 mm <sup>2</sup> , Pitch: 5.08 mm, No. of poles: 18, 270°, Box |
| 1672110000 | BLZF 5.08/19/270 SN OR | PCB plug-in connector, Female connectors, Tension clamp connection, Clamping range, max.: 3.31 mm <sup>2</sup> , Pitch: 5.08 mm, No. of poles: 19, 270°, Box |
| 1672340000 | BLZF 5.08/19/270 SN SW | PCB plug-in connector, Female connectors, Tension clamp connection, Clamping range, max.: 3.31 mm <sup>2</sup> , Pitch: 5.08 mm, No. of poles: 19, 270°, Box |
| 1672120000 | BLZF 5.08/20/270 SN OR | PCB plug-in connector, Female connectors, Tension clamp connection, Clamping range, max.: 3.31 mm <sup>2</sup> , Pitch: 5.08 mm, No. of poles: 20, 270°, Box |
| 1672350000 | BLZF 5.08/20/270 SN SW | PCB plug-in connector, Female connectors, Tension clamp connection, Clamping range, max.: 3.31 mm <sup>2</sup> , Pitch: 5.08 mm, No. of poles: 20, 270°, Box |
| 1672130000 | BLZF 5.08/21/270 SN OR | PCB plug-in connector, Female connectors, Tension clamp connection, Clamping range, max.: 3.31 mm <sup>2</sup> , Pitch: 5.08 mm, No. of poles: 21, 270°, Box |
| 1672360000 | BLZF 5.08/21/270 SN SW | PCB plug-in connector, Female connectors, Tension clamp connection, Clamping range, max.: 3.31 mm <sup>2</sup> , Pitch: 5.08 mm, No. of poles: 21, 270°, Box |
| 1672140000 | BLZF 5.08/22/270 SN OR | PCB plug-in connector, Female connectors, Tension clamp connection, Clamping range, max.: 3.31 mm <sup>2</sup> , Pitch: 5.08 mm, No. of poles: 22, 270°, Box |
| 1672370000 | BLZF 5.08/22/270 SN SW | PCB plug-in connector, Female connectors, Tension clamp connection, Clamping range, max.: 3.31 mm <sup>2</sup> , Pitch: 5.08 mm, No. of poles: 22, 270°, Box |
| 1672150000 | BLZF 5.08/23/270 SN OR | PCB plug-in connector, Female connectors, Tension clamp connection, Clamping range, max.: 3.31 mm <sup>2</sup> , Pitch: 5.08 mm, No. of poles: 23, 270°, Box |
| 1672380000 | BLZF 5.08/23/270 SN SW | PCB plug-in connector, Female connectors, Tension clamp connection, Clamping range, max.: 3.31 mm <sup>2</sup> , Pitch: 5.08 mm, No. of poles: 23, 270°, Box |

---

Product catalogue | PCB connection systems | PCB plug-in connectors | Pitch 5.00 / 5.08 mm (0.197 / 0.200 inch) |  
Socket connectors, tension spring connection, pitch 5.00/5.08 | BLZF 5.08/90/270 | BLZF 5.08/270

---

|            |                        |  |
|------------|------------------------|--|
| 1672160000 | BLZF 5.08/24/270 SN OR | PCB plug-in connector, Female connectors, Tension clamp connection, Clamping range, max.: 3.31 mm <sup>2</sup> , Pitch: 5.08 mm, No. of poles: 24, 270°, Box |
| 1672390000 | BLZF 5.08/24/270 SN SW | PCB plug-in connector, Female connectors, Tension clamp connection, Clamping range, max.: 3.31 mm <sup>2</sup> , Pitch: 5.08 mm, No. of poles: 24, 270°, Box |