

Excellent Integrated System Limited

Stocking Distributor

Click to view price, real time Inventory, Delivery & Lifecycle Information:

[Triad Magnetics](#)

[C-1X](#)

For any questions, you can email us directly:

sales@integrated-circuit.com



Inductors

C-1X

Description:

Smoothing chokes are power supply filter chokes having a core with an air gap which prevents saturation at maximum current. Hipot to 1500 VRMS between winding and core for safety. Class B (130°C) insulation.

Electrical Specifications (@25C):

| Current DC M/A | Inductance †† Henries | Resistance Ohms |
|-------------------|--------------------------|--------------------|
| 20.0 | 15.0 | 1000 |

†† = Inductance tolerance -20%, + 50 %

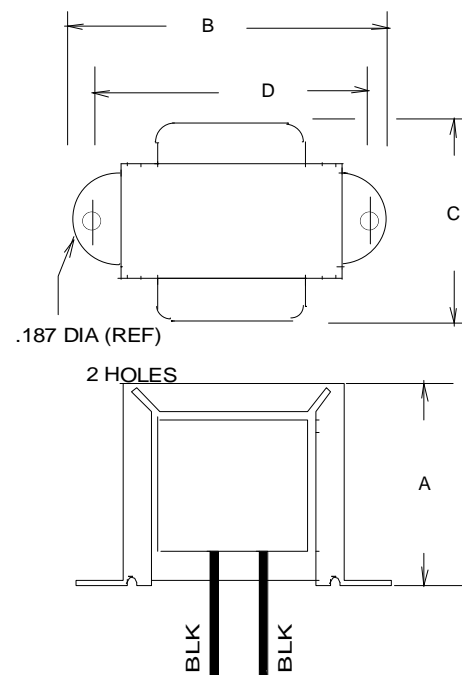
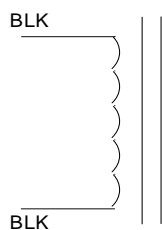
Dimensions:

Unit: In inches

| A | B | C | D |
|-------|-------|-------|-------|
| 1.187 | 2.062 | 1.250 | 1.750 |

Weight: 0.21 lbs.

Schematic:



RoHS Compliance: As of manufacturing date February 2005, all standard products meet the requirements of 2011/65/EU, known as the RoHS initiative.

* Upon printing, this document is considered "uncontrolled". Please contact Triad Magnetics' website for the most current version.