

## **Excellent Integrated System Limited**

Stocking Distributor

Click to view price, real time Inventory, Delivery & Lifecycle Information:

[Triad Magnetics](#)  
[N-92MD](#)

For any questions, you can email us directly:  
[sales@integrated-circuit.com](mailto:sales@integrated-circuit.com)



**POWER TRANSFORMER  
CHASSIS MOUNT : Isolation Medical**

## N-92MD

### Electrical Specifications (@25°C)

1. Maximum Power: 500 VA
2. Input Voltage: 115 V, 50 / 60 Hz
3. Output Voltage: 115V ± 5%
4. Full Secondary Load: 4.35 Amps RMS
5. Voltage Regulation: 5 % TYP @ full load to no load
6. Leakage Current: <50µA between primary and secondary\*

### Description:

The N-92MD is power transformer for isolating equipment from direct connection to the power line. It is designed and constructed to meet the low leakage current requirements for today's medical equipment. The primary and secondary are wound on separate arbors, then assembled on a laminate core side-by-side separated by insulation. This prevents electrical connection under normal or overload conditions between the primary and secondary windings. This hospital type unit is offered with a resettable circuit breaker, providing protection from overload or short circuit conditions.

### Safety:

These units are designed with 1500V isolation between winding to winding and between winding and core. Materials and construction are rated for Class B insulation system.



UL 544 File: E10290†

### Dimensions:

Unit: In inches

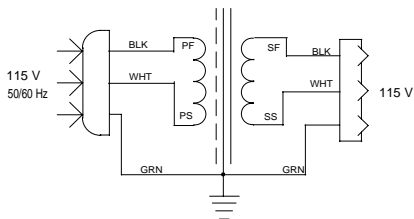
A	B	C	D	E
5.343	4.50	7.00	3.50	5.375

Weight: 17.60 lbs

Mounting Holes: 0.656 x 0.281"

Connections: 6 ft. long cord, 5-15P NEMA Plug, 5-15R NEMA Receptacle

### Schematic:

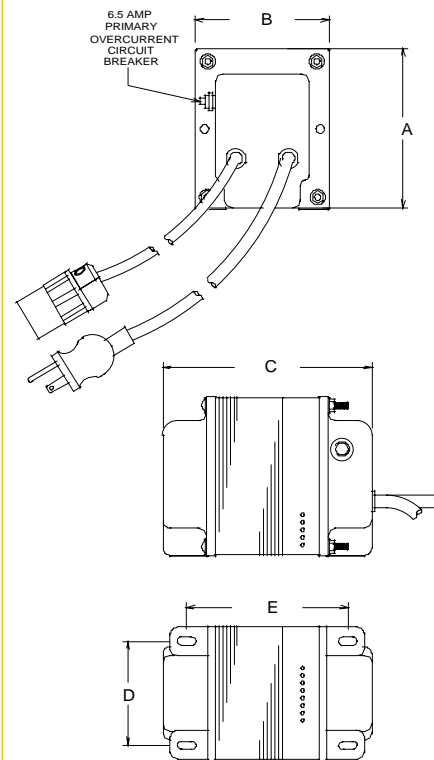


\* Leakage current between primary and secondary is typically measured at less than 10µA.

† UL listing is only valid on parts produced on or before December 31, 2009. Parts will carry a date code of "0952" or earlier.

**RoHS Compliance:** As of manufacturing date February 2005, all standard products meet the requirements of 2011/65/EU, known as the RoHS initiative.

\* Upon printing, this document is considered "uncontrolled". Please contact Triad Magnetics' website for the most current version.



Web: [www.TriadMagnetics.com](http://www.TriadMagnetics.com)  
Phone 951-277-0757  
Fax 951-277-2757

460 Harley Knox Blvd.  
Perris, California 92571

Publish Date: December 4, 2013