

## Excellent Integrated System Limited

Stocking Distributor

Click to view price, real time Inventory, Delivery & Lifecycle Information:

[KEMET](#)  
[PEG130MJ4140QL1](#)

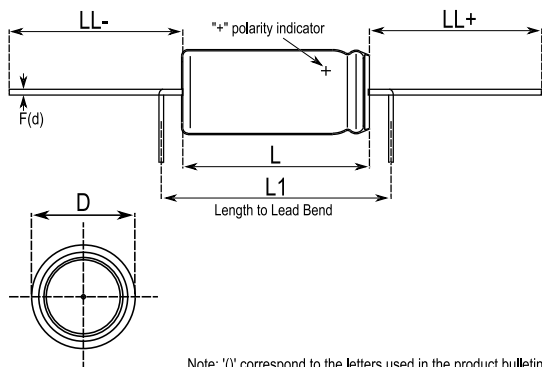
For any questions, you can email us directly:

[sales@integrated-circuit.com](mailto:sales@integrated-circuit.com)

## KEMET Part Number: PEG130MJ4140QL1



Capacitor, Aluminum, 1400 uF, -10/+30% Tol, -40/+105C, 63 VDC@105C



Note: '()' correspond to the letters used in the product bulletin

### Dimensions (mm)

Symbol	Dimension	Tolerance
D	20	+/-0.5
L	37	+/-1
L1	43	MIN
LLPos	40	+/-2
LLNeg	40	+/-2
F	1	+/-0.03

#### Notes:

-L1 is KEMET's recommendation for minimum distance between symmetrical lead bend. Available only for Customer specific part numbers. Lead bend dimensions must be specified and confirmed per article.

### General Information

Supplier:	KEMET
Application:	105C
Part Type Description:	Long Life Axial Aluminum Electrolytic
Lead Type:	Wire Leads
Weight:	20 g
RoHS:	Yes

### Specifications

Capacitance:	1400 uF
Voltage:	63 VDC
Tolerance:	-10/+30%
Rated Temperature:	105C
Temperature Range:	-40/+105C
Life:	37000 Hrs
Leakage Current:	268.6 uA
Leakage Condition:	uAmps (5min 20C)
Resistance/ESR:	64 mOhms (100Hz 20C)
Resistance/ESR:	29 mOhms (100kHz 20C)
Resistance/ESR:	18.8 mOhms (5-100kHz 105C)
Current/Ripple Current:	1.4 Amps (100Hz 105C)
Current/Ripple Current:	9 Amps (5kHz 60C)
Current/Ripple Current:	7.4 Amps (5kHz 80C)
Current/Ripple Current:	4.1 Amps (5kHz 100C)
Current/Ripple Current:	2.7 Amps (>=5kHz 105C)

### Packaging Specifications

Package Kind:	Bulk
Package Quantity:	125