

Excellent Integrated System Limited

Stocking Distributor

Click to view price, real time Inventory, Delivery & Lifecycle Information:

[FCI](#)
[20020201-D066A02LF](#)

For any questions, you can email us directly:
sales@integrated-circuit.com



1 | 2

3 |

4

PRODUCT NUMBER
20020201-XXXXXXLF

20020201 - □ □ □ □ A 0 □ L F

PITCH
 C: 3.50 mm
 D: 3.81 mm
 G: 5.00 mm
 H: 5.08 mm

POLES
 02: 2 POLES
 03: 3 POLES
 04: 4 POLES
 16: 16 POLES

LF : DENOTED RoHS COMPATIBLE
 2 : TAPE & REEL PACKAGING

CODE	COLOR	PROCESS
6	BLACK(RAL 9005)	PIP(NOTE 6)

PROPERTY TABLE				
FCI SERIES NAME	06-350	06-381	06-500	06-508
PITCH (mm)	3.50	3.81	5.00	5.08
VOLTAGE RATING (VAC)	300	300	300	300
CURRENT RATING (A)	cULus 10	10	12	12
WITHSTANDING VOLTAGE (kV)	cULus 1.6	1.6	1.6	1.6
OPERATING TEMP. (°C)	-40~+65	-40~+65	-40~+65	-40~+65
SOLDERING TEMP. (°C)	250±10 (5 sec.)	250±10 (5 sec.)	250±10 (5 sec.)	250±10 (5 sec.)
POLES AVAILABLE	02~16	02~16	02~12	02~12
SAFETY CERTIFICATE	PENDING			

- NOTES:
- MATERIAL:
 1-1. TERMINAL: COPPER ALLOY, TIN PLATED.
 1-2. HOUSING: THERMOPLASTIC RESIN, UL94V-0 RATED.
 1-3. COVER: THERMOPLASTIC RESIN, UL94V-0 RATED.
 - PRODUCTION SPECIFICATION REFER TO FCI GS-12-625.
 - PRODUCT PACKING SPECIFICATION REFER TO FCI GS-14-1394.
 - FCI, SAFETY CERTIFICATE LOGO AND SERIES NAME TO BE SHOWN ON PRODUCT SURFACE.
 - THE PRODUCTS WHERE THE PART NUMBER END IN "LF" MEET THE EUROPEAN UNION DIRECTIVE AND OTHER COUNTRY REGULATIONS AS DESCRIBED IN GS-22-008.
 - THE HOUSING WILL WITHSTAND EXPOSURE TO 260°C PEAK TEMPERATURE FOR 5 SECONDS IN A CONVECTION, INFRA-RED OR VAPOR PHASE REFLOW OVEN.

mat'l. code	surface ASME Y14.5	tolerance ASME Y14.5	projection	product family TERMINAL BLOCK
ltr	ecn no	dr	date	title
A		LS	071912	TERMINAL BLOCK PLUGGABLE SOCKET, STRAIGHT(PIP)
	angle	tolerance	scale	sheet 1 of 5 size
	X±0.5	X.X±0.3	MM [INCH]	20020201 A4
	X'±1'	X.XX±0.1	scale	type CUSTOMER Drawing
	dr	LEIF SHEN	040811	
	enr	LEIF SHEN	040811	
	chr	LEIF SHEN	040811	
	appel	JOSEPH HSIA	040811	
sheet index	revision sheet	A	A	A
		1	2	3

form: A4mmXLc

1 |

2 |

3 |

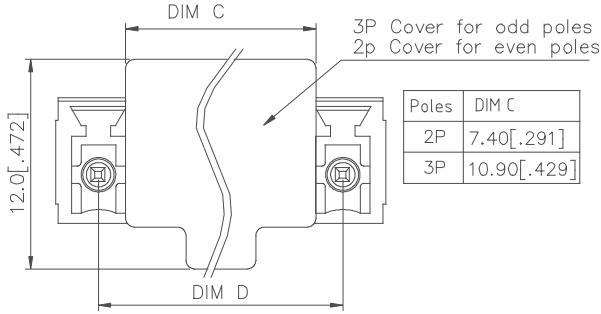
4



Copyright FCI.

FCIconnect.com

PRODUCT NUMBER	SERIES NAME	PITCH
20020201-CXXXXXXLF	06-350	3.50 mm

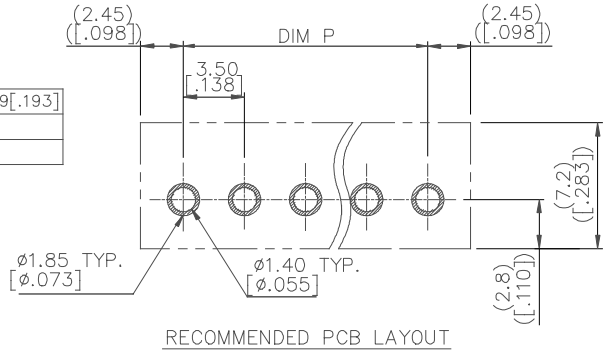


Poles	DIM C
2P	7.40 [.291]
3P	10.90 [.429]

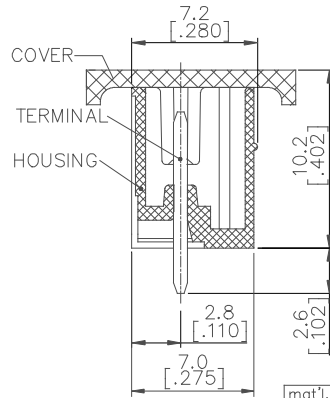
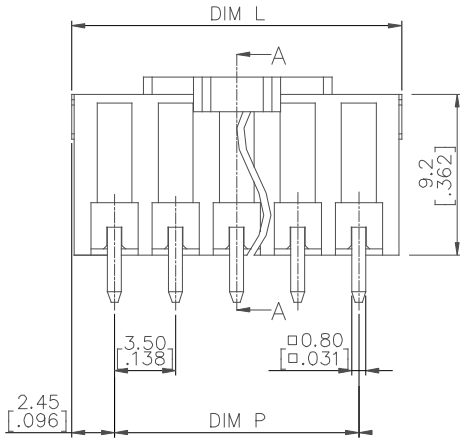
N= Number of poles

DIM L	$(N-1)*3.5[.138]+4.9[.193]$
DIM P	$(N-1)*3.5[.138]$
DIM D	$(N-1)*3.5[.138]$

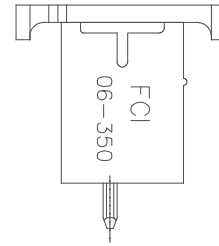
POLES	TOLERANCE
2p-6p	$\pm 0.15[.006]$
7p-12p	$\pm 0.20[.008]$
13p-16p	$\pm 0.30[.012]$



RECOMMENDED PCB LAYOUT



SECTION A-A



mat'l. code		surface	tolerance	projection	product family
		ASME Y14.5	ASME Y14.5		TERMINAL BLOCK
tr ecn no dr date		tolerances unless otherwise specified			title
A		X. \pm 0.5			TERMINAL BLOCK
		X.X \pm 0.3			PLUGGABLE SOCKET, STRAIGHT(PIP)
		X.XX \pm 0.1			dwg no 20020201 sheet 2 of 5 size A4
		scale			type CUSTOMER Drawing
		dr LEIF SHEN 040811			
		enr LEIF SHEN 040811			
		chr LEIF SHEN 040811			
		appd JOSEPH HSIA 040811			
sheet index	revision sheet				

form: A4mmXLc

PDS: Rev :A

STATUS:Released

Printed: Jul 20, 2012



FCIconnect.com

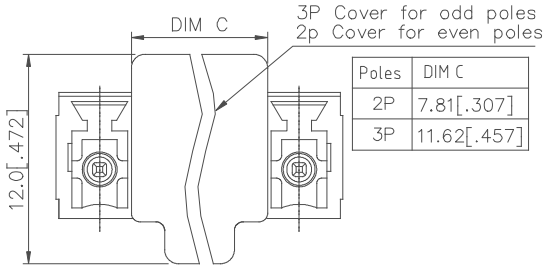
Copyright FCI.

1 | 2

3 |

4

PRODUCT NUMBER	SERIES NAME	PITCH
20020201-DXXXXXXLF	06-381	3.81 mm



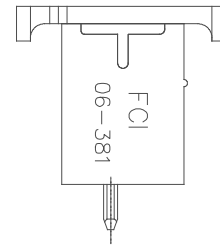
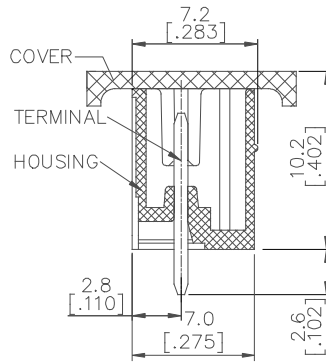
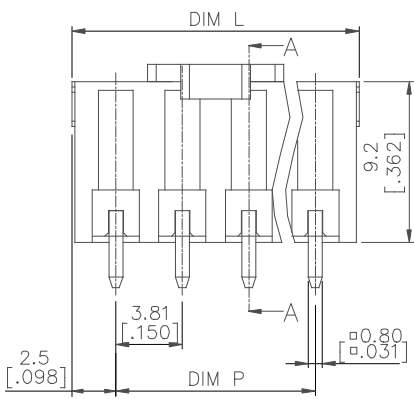
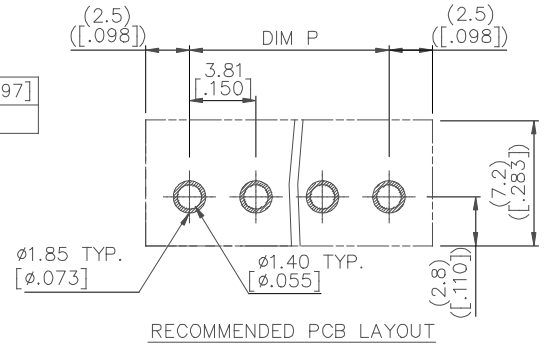
Poles	DIM C
2P	7.81 [.307]
3P	11.62 [.457]

N= Number of poles

$DIM L = (N-1)*3.81[.150]+5.0[.197]$

$DIM P = (N-1)*3.81[.150]$

POLES	TOLERANCE
2p-6p	±0.15 [.006]
7p-12p	±0.20 [.008]
13p-16p	±0.30 [.012]



mat'l. code		surface	tolerance	projection	product family
ASME Y14.5		ASME Y14.5	ASME Y14.5	TERMINAL BLOCK	
tolerances unless otherwise specified		title			
ltr	ecn no	dr	date	angle	MM
A				X±0.5	[INCH]
				X.X±0.3	scale
				X'±1'	X.XX±0.1
dr	LEIF SHEN	040811			FCI
enr	LEIF SHEN	040811			TERMINAL BLOCK
chr	LEIF SHEN	040811			PLUGGABLE SOCKET, STRAIGHT(PIP)
appd	JOSEPH HSIA	040811			dwg no
					20020201
					sheet 3 of 5
					size
					A4
					type
					CUSTOMER Drawing
sheet index	revision sheet				

form: A4mmXLc

1 |

2 |

3 |

4

PDS: Rev :A

STATUS:Released

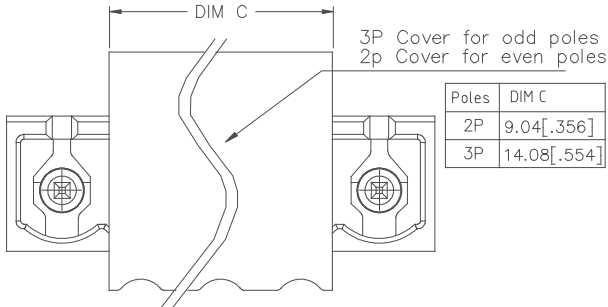
Printed: Jul 20, 2012



Copyright FCI.

FCIconnect.com

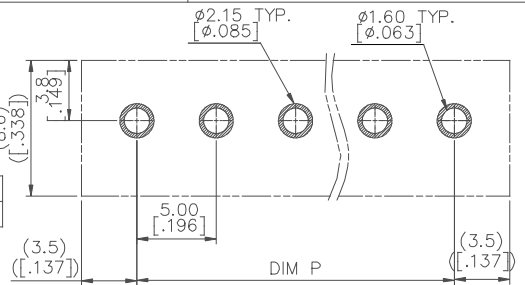
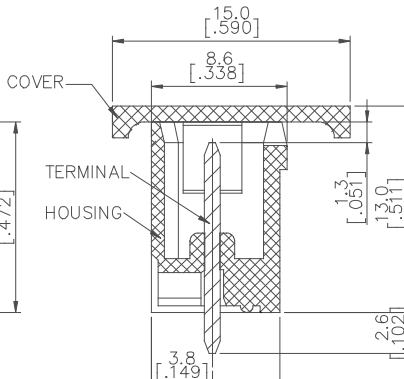
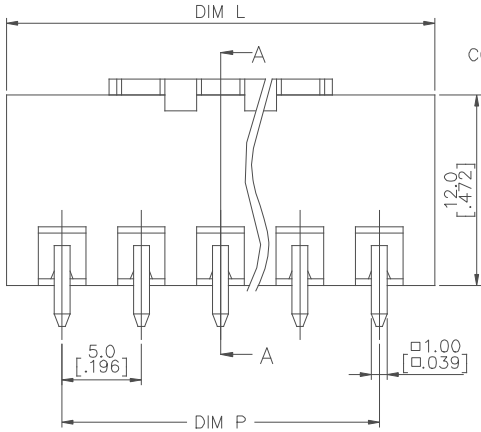
PRODUCT NUMBER	SERIES NAME	PITCH
20020201-GXXXXXXLF	06-500	5.00 mm



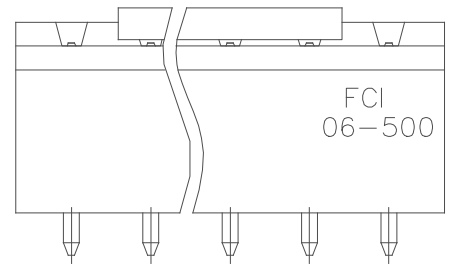
Poles	DIM C
2P	9.04 [.356]
3P	14.08 [.554]

N= Number of poles	
DIM L	$N * 5.0 [.197] + 2.0 [.079]$
DIM P	$(N - 1) * 5.0 [.197]$

POLES	TOLERANCE
2-3p	$\pm 0.15 [.006]$
4-8p	$\pm 0.20 [.008]$
9-12p	$\pm 0.25 [.010]$



RECOMMENDED PCB LAYOUT



mat'l. code		surface	tolerance	projection	product family
ASME Y14.5		ASME Y14.5	ASME Y14.5		TERMINAL BLOCK
tolerances unless otherwise specified					title
angle		X.±0.5		MM	TERMINAL BLOCK
X'±1'		X.X±0.3		INCH	PLUGGABLE SOCKET, STRAIGHT(PIP)
		X.XX±0.1		scale	sheet 4 of 5 size
dr	LEIF SHEN	040811			dwg no
enr	LEIF SHEN	040811			20020201
chr	LEIF SHEN	040811			A4
appd	JOSEPH HSIA	040811			type
sheet index	revision sheet				CUSTOMER Drawing

form: A4mmXLc

PDS: Rev :A

STATUS:Released

Printed: Jul 20, 2012



Copyright FCI.

FCIconnect.com

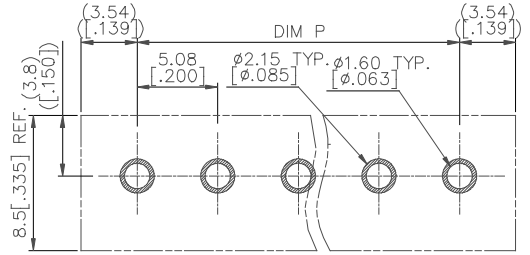
PRODUCT NUMBER	SERIES NAME	PITCH
20020201-HXXXXXXLF	06-508	5.08 mm

3P Cover for odd poles
 2p Cover for even poles

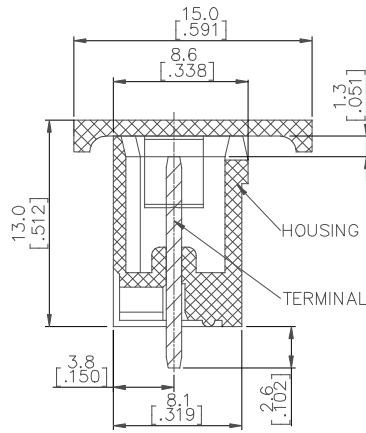
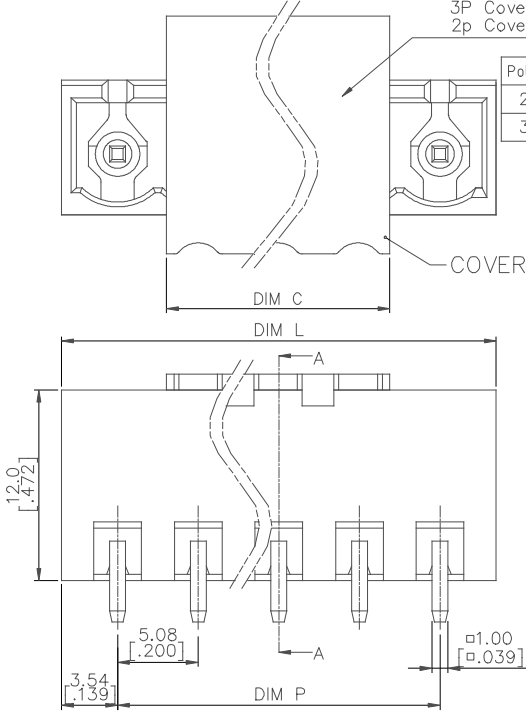
N= Number of poles

Poles	DIM C	DIM L	DIM P
2P	9.04 [.356]	$N*5.08[.200]+2.0[.079]$	$(N-1)*5.08[.200]$
3P	14.08 [.554]		

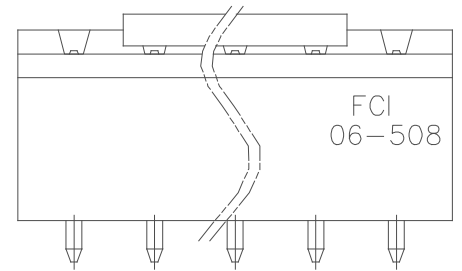
POLES	TOLERANCE
2-3p	±0.15 [.006]
4-8p	±0.20 [.008]
9-12p	±0.25 [.010]



RECOMMENDED PCB LAYOUT



SECTION A-A



mat'l. code		surface	tolerance	projection	product family
itr ecn no dr date		ASME Y14.5	ASME Y14.5		TERMINAL BLOCK
A		tolerances unless otherwise specified			title
		angle	X.±0.5	MM	TERMINAL BLOCK
		X'±1'	X.X±0.3	[INCH]	PLUGGABLE SOCKET, STRAIGHT(PIP)
			X.XX±0.1	scale	sheet 5 of 5 size
		dr	LEIF SHEN 040811		dwg no 20020201 A4
		enr	LEIF SHEN 040811		type CUSTOMER Drawing
		chr	LEIF SHEN 040811		
		appd	JOSEPH HSIA 040811		
sheet index	revision sheet				

form: A4mmXLc

PDS: Rev :A

STATUS:Released

Printed: Jul 20, 2012