

## Excellent Integrated System Limited

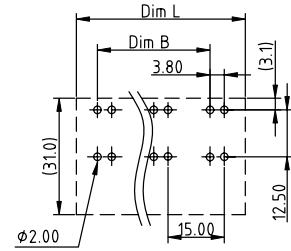
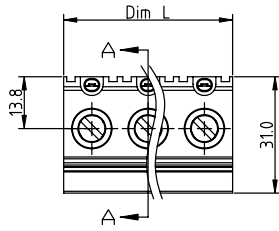
Stocking Distributor

Click to view price, real time Inventory, Delivery & Lifecycle Information:

[FCI](#)  
[EI02C15300J0G](#)

For any questions, you can email us directly:  
[sales@integrated-circuit.com](mailto:sales@integrated-circuit.com)

PRODUCT NUMBER	PITCH
EIxxC1x300J0G	15.00 mm



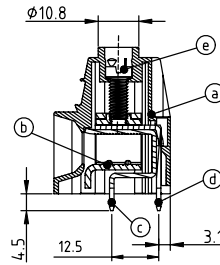
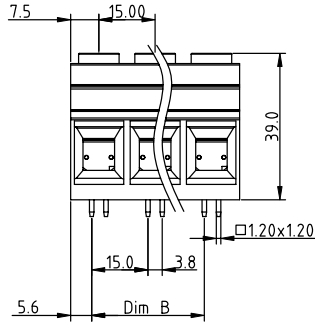
RECOMMENDED P.C.B LAYOUT  
TOP VIEW

Material:

- Item@Terminal housing :Thermoplastic (UL 94V-0)
- ItemⓄClamp : Steel Stamping, Zinc plated
- ItemⓄSolder pin1 : Copper , Tin plated
- ItemⓄSolder pin2 : Copper , Tin plated
- Item@Terminal screw : Zinc plating"-slot type

Electrical

- Voltage rating: 600V 1000V
- Current rating: 125A 125A
- Wire range: 35mm<sup>2</sup>
- Solid wire(AWG): 2-20
- Stranded wire(AWG): 2-20
- Torque(Lb-in): 36.5
- Screw: M5
- Wire strip length: 12-15mm
- Withstanding Voltage: 2.2KV 8KV
- Operating temperature: -40° C to +115° C
- Soldering temperature: 260° C±5° C/5 Sec
- Safety Approval: cULus



SECTION A-A

PART NO.: EI xx C 1 x 3 00J0 G

DIMENSION

Dim L	Nx15.0
Dim B	(N-1)x15.0

N=Number of poles

Poles	Tolerance
2p~3p	±0.30
4p~5p	±0.50
6p~10p	±0.80

Solid block	No. of poles	Color	RoHS compliant (lead<4%) In copper Alloy
0	2	Black (RAL9005)	
2	2	Red (RAL3001/D)	
3	3	Orange(RAL2011/P)	
4	3	Yellow(RAL1018/A)	
5	3	Green(RAL6018/T)	
6	3	Blue (RAL5015/A)	
8	3	Grey(RAL7035/D)	
9	3	White(RAL1102)	
C	3	Green(RAL6018/U)	

mat'l. code	surface ASME Y14.5	tolerance ASME Y14.5	projection	product family TERMINAL BLOCK
ltr	ecn	no	dr	date
tolerances unless otherwise specified				title TERMINAL BLOCK
angles	X.±0.5		MM	RISING CLAMP,180D WIRE INLET,SOLID BLOCK
X'±1'	X.X±0.3		scale	
dr	EVIN ZHONG	041514	<b>FCI</b>	dwg no EIxxC1x300J0G
enrg	EVIN ZHONG	041514		sheet 1 of 1
chr	HANKE FENG	041514		size A4
appd	SHI JUN	041514		type CUSTOMER Drawing
sheet index	revision sheet	A 1		