

Excellent Integrated System Limited

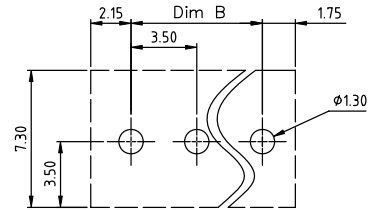
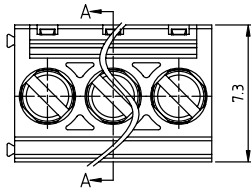
Stocking Distributor

Click to view price, real time Inventory, Delivery & Lifecycle Information:

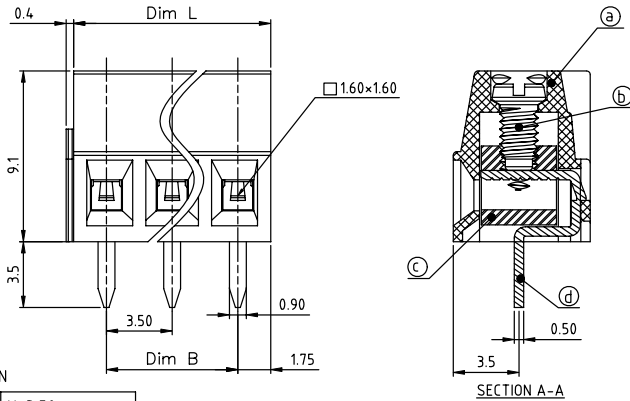
[FCI](#)
[ER02015000J0G](#)

For any questions, you can email us directly:
sales@integrated-circuit.com

PRODUCT NUMBER	PITCH
ERxx01x000JOG	3.50 mm



RECOMMENDED P.C.B LAYOUT
TOP VIEW



DIMENSION

Dim L	N×3.50
Dim B	(N-1)×3.50

N=Number of poles

Poles	Tolerance
2p-6p	±0.15
7p-11p	±0.20
12p-16p	±0.25
17p-20p	±0.30
21p-24p	±0.40

PART NO.: ER xx 01 x 0 00JOG

- End stackable 0
 - No. of poles 2
 - 02 2 poles
 - 03 3 poles
 -
 - 24 24 poles
- Color
 - Black (RAL9005)
 - 2 Red (RAL3001/D)
 - 3 Orange (RAL2011/P)
 - 4 Yellow (RAL1018/A)
 - 5 Green (RAL6018/T)
 - 6 Blue (RAL5015/A)
 - 8 Grey (RAL7035/D)
 - 9 White (RAL1102)
 - C Green (RAL6018/U)
- RoHS compliant (lead<4%)
In copper Alloy

Material

- Item① Terminal housing : Thermoplastic (UL94V-0)
- Item② Terminal screw : Steel Zinc plating "-" slot type
- Item③ Clamp : Brass, Ni plated
- Item④ solder pin : Brass, Tin plated

Electrical

- Voltage rating: 300VAC
- Current rating: 10A
- Wire range:
- Solid wire(AWG): 16-24
- Stranded wire(AWG): 16-24
- Torque(Lb-In): 1.7
- Screw: M2
- Wire strip length: 5-6mm
- Withstanding Voltage: 1.6KV
- Operating temperature: -40°C to +115°C
- Soldering temperature: 260°C±5°C/5 Sec
- Safety Approval: cULus

mat'l. code	surface ASME Y14.5	tolerance ASME Y14.5	projection MM	product family TERMINAL BLOCK
ltr	ecn	no	dr	date
tolerances unless otherwise specified				title TERMINAL BLOCK
angles	X.±0.5		RISING CLAMP,180D WIRE INLET,END STACKABLE	
X'±1'	X.X±0.3		dwg no ERxx01x000JOG	
X.XX±0.1		scale		sheet 1 of 1
dr	EVIN ZHONG	041514	size A4	
enrg	EVIN ZHONG	041514	type CUSTOMER Drawing	
chr	HANKE FENG	041514		
appd	SHI JUN	041514		
sheet index	revision sheet	A 1		