

## Excellent Integrated System Limited

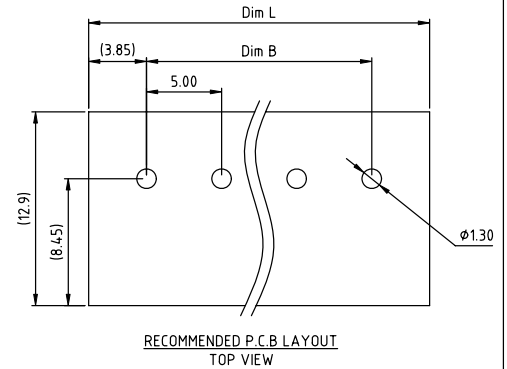
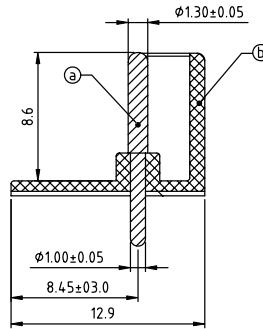
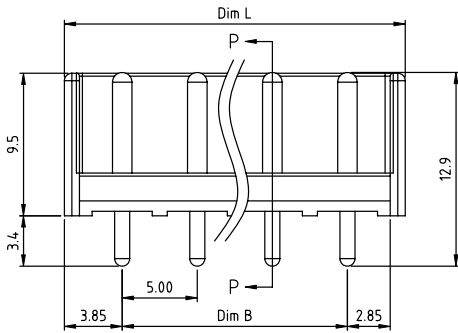
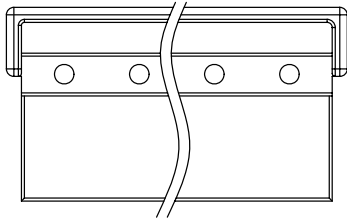
Stocking Distributor

Click to view price, real time Inventory, Delivery & Lifecycle Information:

[FCI](#)  
[EX02000000J0G](#)

For any questions, you can email us directly:  
[sales@integrated-circuit.com](mailto:sales@integrated-circuit.com)

PRODUCT NUMBER	PITCH
EXxx0xx000JOG	5.00 mm



**Material**

- Item①Pin: Brass, Tin or Au plated.
- Item②Terminal (housing): Thermoplastic (UL94V-0)

**Electrical cULus**

- Voltage rating: 300V
- Current rating: 10A
- Withstanding Voltage: 1.6KV
- Operating temperature: -40°C to +115°C
- Soldering temperature: 260°C±5°C/5 Sec
- Safety Approval:

PART NO.: EX xx 0 x x 0 00J0 G

N=NUMBER OF POLES

Dim L=N×5.00+2.7  
 Dim B=(N-1)×5.00

POLES	Tolerance
2P-6P	±0.15
7P-12P	±0.20
13P-18P	±0.25
19P-24P	±0.30

- |              |          |             |     |                   |   |                   |   |                 |   |
|--------------|----------|-------------|-----|-------------------|---|-------------------|---|-----------------|---|
| Solid block  | 0        | Tin plating | 0   | Black (RAL9005)   | 0 | Color             | 0 | RoHS compliant  | 0 |
| No. of poles | 1        | G/F plating | 2   | Red (RAL3001/D)   | 2 | Red (RAL3001/D)   | 2 | (lead<4%)       | 0 |
| ...          | ...      | ...         | ... | Orange(RAL2011/P) | 3 | Orange(RAL2011/P) | 3 | In copper Alloy | 0 |
| 24           | 24 poles | ...         | ... | Yellow(RAL1018/A) | 4 | Yellow(RAL1018/A) | 4 | ...             | 0 |
| ...          | ...      | ...         | ... | Green(RAL6018/T)  | 5 | Green(RAL6018/T)  | 5 | ...             | 0 |
| ...          | ...      | ...         | ... | Blue (RAL5015/A)  | 6 | Blue (RAL5015/A)  | 6 | ...             | 0 |
| ...          | ...      | ...         | ... | Grey(RAL7035/D)   | 8 | Grey(RAL7035/D)   | 8 | ...             | 0 |
| ...          | ...      | ...         | ... | White(RAL1102)    | 9 | White(RAL1102)    | 9 | ...             | 0 |
| ...          | ...      | ...         | ... | Green(RAL6018/U)  | C | Green(RAL6018/U)  | C | ...             | 0 |

mat'l. code	surface	tolerance	projection	product family
itr	ASME Y14.5	ASME Y14.5	ASME Y14.5	TERMINAL BLOCK
ecn	tolerances unless otherwise specified			title
no	angle	X.±0.5	MM	TERMINAL BLOCK
dr	X'±1'	X.X±0.3	scale	PLUGGABLE SOCKET,VERTICAL
date	dr	ENGR	FCI	dwg no
	EVIN ZHONG	041714		EXxx0xx000JOG
	enrg	EVIN ZHONG		sheet 1 of 1
	chr	HANKE FENG		A4
	appr	SHI JUN		size
sheet	revision	A		type
index	sheet	1		CUSTOMER Drawing