

Excellent Integrated System Limited

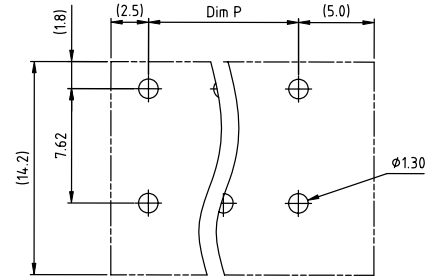
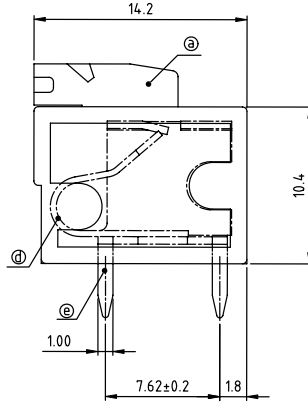
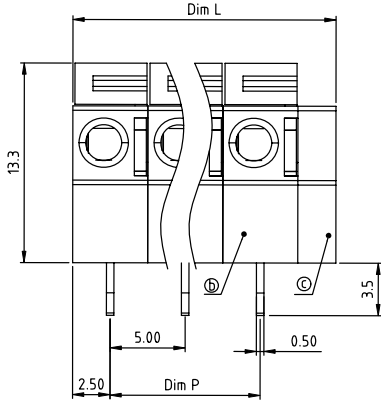
Stocking Distributor

Click to view price, real time Inventory, Delivery & Lifecycle Information:

[FCI](#)
[HA02315000J0G](#)

For any questions, you can email us directly:
sales@integrated-circuit.com

PRODUCT NUMBER	PITCH
HAxx31x000JOG	5.00 mm



RECOMMENDED P.C.B LAYOUT
TOP VIEW

Material:

- Item (a) Lever: Thermoplastic (UL94V-0)Orange (RAL2011/P)
- Item (b) Terminal body: Thermoplastic (UL94V-0)
- Item (c) cover: Thermoplastic (UL94V-0)
- Item (d) Spring clamp: Stainless steel
- Item (e) contact pin: Brass.Tin plated

Electrical cULus/VDE

- Voltage rating: 300VAC/250VAC
- Current rating: 10A/10A
- Wire range: 0.75-1.5mm²
- Solid wire(AWG): 14-24
- Stranded wire(AWG): 14-24
- Wire strip length: 9-10mm
- Withstanding Voltage: 1.6KV/2KV
- Operating temperature: -40°C to +115°C
- Soldering temperature: 260°C±5°C/5 Sec
- Safety Approval:

N=Number of poles
Dim L=Nx5.0+2.54
Dim P=(N-1)x5.0

POLES	Dim L	Dim P
2-6p	±0.15	±0.10
7-12p	±0.20	±0.20
13-18p	±0.30	±0.25
19-24p	±0.40	±0.30

PART NO.: HA xx 31 x 0 00J0 G

End stackable	No. of poles	Color	RoHS compliant (lead<4%) In copper Alloy
0	2	Black (RAL9005)	
02	2 poles	Red (RAL3001/D)	
03	3 poles	Orange(RAL2011/P)	
...	...	4 Yellow(RAL1018/A)	
...	...	5 Green(RAL6018/T)	
24	24 poles	6 Blue (RAL5015/A)	
		8 Grey(RAL7004/P)	
		9 White(RAL1102)	
		C Multiple colors	

mat'l. code	surface ASME Y14.5 ✓ tolerance ASME Y14.5	projection	product family TERMINAL BLOCK
tr	ecn no dr date	tolerances unless otherwise specified	title TERMINAL BLOCK
	angles	X.±0.5	SPRING CLAMP,180D WIRE INLET
	mm	X.X±0.3	dwg no HAxx31x000JOG
	X'±1'	X.XX±0.1	sheet 1 of 1 size A4
	dr EVIN ZHONG 052314	scale	type CUSTOMER Drawing
	enrg EVIN ZHONG 052314		
	chr HANKE FENG 052314		
	appd SHI JUN 052314		
sheet index	revision sheet 1	A	