

Excellent Integrated System Limited

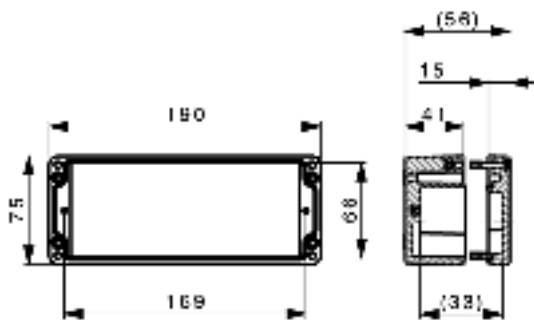
Stocking Distributor

Click to view price, real time Inventory, Delivery & Lifecycle Information:

[Weidmüller](#)
[9510330000](#)

For any questions, you can email us directly:

sales@integrated-circuit.com


General ordering data

Order No.	9510330000
Part designation	Klippon POK 31 Ex
Version	EXI enclosure, 55 mm, 75 mm, 190 mm, glass fibre-reinforced polyester
EAN	4008190498559
Qty.	1 pc(s).

Dimensions

Fixing dimension, height	45 mm
Fixing dimension, width	178 mm
Height	55 mm
Length	75 mm
Width	190 mm

General details

Cover fixing	4 stainless steel M4 screws
Enclosure fixing	Holes 4 mm
Sealing material	Polyurethane and chloroprene
Colour	grey
Class of protection to EN 60529	IP 66
Weight	450 g
Ambient temperature, min.	-40 °C
Ambient temperature, max.	90 °C

Screwed cable glands top/bottom

M 12	14
M 16	6
M 20	5
M 25	4
Side of enclosure	Top / Bottom

Screwed cable glands, left/right

M12	1
M16	1

Screwed cable glands, left/right

M20	1
On housing side	left / right

Approvals

Approvals institutes



Classifications

ETIM 2.0	EC000520
ETIM 3.0	EC000049
eClass 4.1	27-14-12-06
eClass 5.0	27-18-05-02
eClass 5.1	27-18-05-02

Similar products

Order No.	Part designation	Version
1565400000	Klippon POK31	Housings, 55 mm, 75 mm, 190 mm, glass fibre-reinforced polyester