

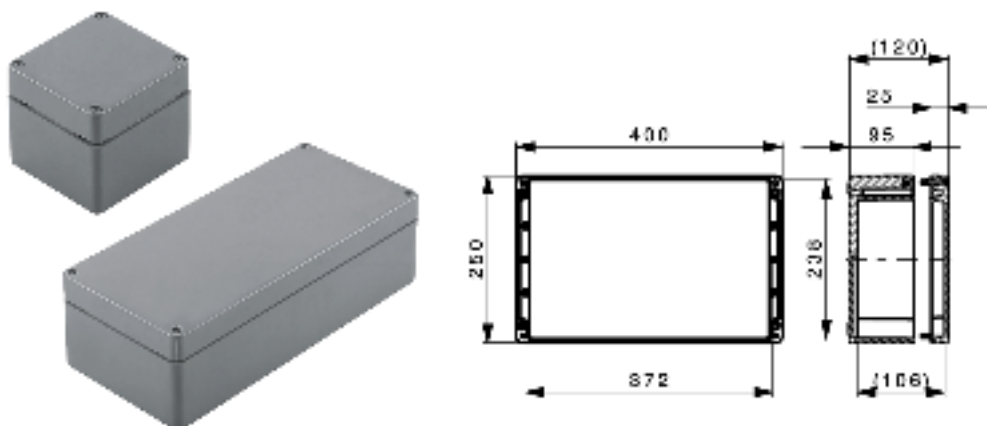
## Excellent Integrated System Limited

Stocking Distributor

Click to view price, real time Inventory, Delivery & Lifecycle Information:

[Weidmüller](#)  
[9510290000](#)

For any questions, you can email us directly:  
[sales@integrated-circuit.com](mailto:sales@integrated-circuit.com)


**General ordering data**

Order No.	9510290000
Part designation	Klippon POK 9 Ex
Version	EXI enclosure, 120 mm, 250 mm, 400 mm, glass fibre-reinforced polyester
EAN	4008190498788
Qty.	1 pc(s).

**Dimensions**

Fixing dimension, height	200 mm
Fixing dimension, width	380 mm
Height	120 mm
Length	250 mm
Width	400 mm

**General details**

Cover fixing	4 stainless steel M6 screws
Enclosure fixing	Holes 6 mm
Sealing material	Polyurethane and chloroprene
Colour	grey
Class of protection to EN 60529	IP 66
Weight	3,650 g
Ambient temperature, min.	-40 °C
Ambient temperature, max.	90 °C

**Screwed cable glands top/bottom**

M 12	62
M 16	54
M 20	33
M 25	18
M 32	14
M 40	6
M 50	4
Side of enclosure	Top / Bottom

#### Screwed cable glands, left/right

M12	32
M16	21
M20	15
M25	8
M32	3
M40	3
M50	2
On housing side	left / right

#### Approvals

Approvals institutes

GOSTEX ATEX ATEX



#### Classifications

ETIM 2.0	EC000520
ETIM 3.0	EC000049
eClass 4.1	27-14-12-06
eClass 5.0	27-18-05-02
eClass 5.1	27-18-05-02

#### Similar products

Order No.	Part designation	Version
1565430000	Klippon POK 9	Housings, 120 mm, 250 mm, 400 mm, glass fibre-reinforced polyester