

Excellent Integrated System Limited

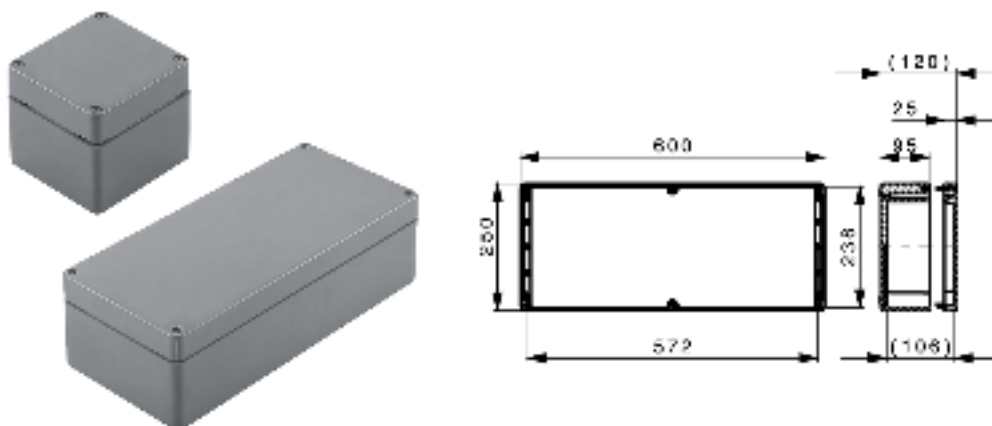
Stocking Distributor

Click to view price, real time Inventory, Delivery & Lifecycle Information:

[Weidmüller](#)
[9510300000](#)

For any questions, you can email us directly:

sales@integrated-circuit.com


General ordering data

Order No.	9510300000
Part designation	Klippon POK 91 Ex
Version	EXI enclosure, 120 mm, 250 mm, 600 mm, glass fibre-reinforced polyester
EAN	4008190498795
Qty.	1 pc(s).

Dimensions

Fixing dimension, height	200 mm
Fixing dimension, width	580 mm
Height	120 mm
Length	250 mm
Width	600 mm

General details

Cover fixing	4 stainless steel M6 screws
Enclosure fixing	Holes 6 mm
Sealing material	Polyurethane and chloroprene
Colour	grey
Class of protection to EN 60529	IP 66
Weight	5,235 g
Ambient temperature, min.	-40 °C
Ambient temperature, max.	90 °C

Screwed cable glands top/bottom

M 12	96
M 16	80
M 20	24
M 25	20
M 32	20
M 40	8
M 50	6
Side of enclosure	Top / Bottom

Screwed cable glands, left/right

M12	32
M16	21
M20	15
M25	8
M32	3
M40	3
M50	2
On housing side	left / right

Approvals

Approvals institutes



Classifications

ETIM 2.0	EC000520
ETIM 3.0	EC000049
eClass 4.1	27-14-12-06
eClass 5.0	27-18-05-02
eClass 5.1	27-18-05-02

Similar products

Order No.	Part designation	Version
9510470000	Klippon POK 91	Housings, 120 mm, 250 mm, 600 mm, glass fibre-reinforced polyester