

Excellent Integrated System Limited

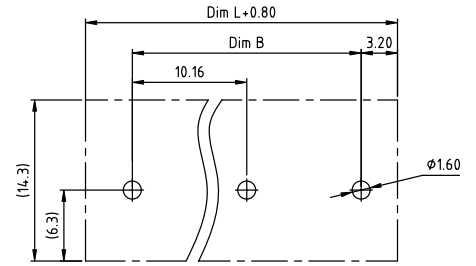
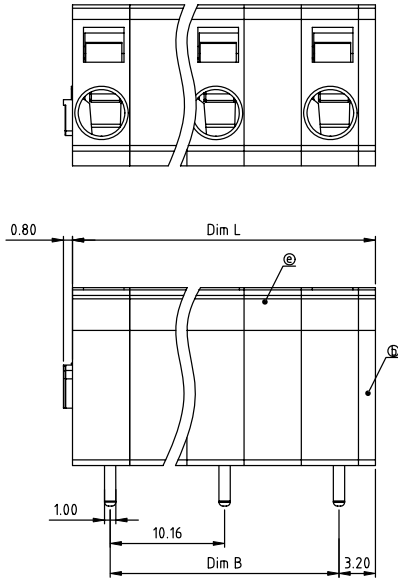
Stocking Distributor

Click to view price, real time Inventory, Delivery & Lifecycle Information:

[FCI](#)
[HM02608000J0G](#)

For any questions, you can email us directly:
sales@integrated-circuit.com

PRODUCT NUMBER	PITCH
HMxx60x000JOG	10.16mm



RECOMMENDED P.C.B LAYOUT
TOP VIEW

Material:

- Item① Insulator body: Thermoplastic (UL94V-0)
- Item② Insulating cover: Thermoplastic (UL94V-0)
- Item③ Contact pin: Brass, Tin plated
- Item④ Wire guard: Stainless steel
- Item⑤ Pad board: Thermoplastic (UL94V-0)

Electrical:

- Voltage rating: cULus 250V
- Current rating: 8A
- Wire range:
 - Solid wire(AWG): 12-28
 - Stranded wire(AWG): 12-28
 - Wire strip length: 8-9mm
- Withstanding Voltage: 1.5KV
- Operating temperature: -40°C to +115°C
- Soldering temperature: 260°C±5°C/5 Sec
- Safety Approval:

N=Number of poles
Dim L=(N-1)×10.16+6.58
Dim B=(N-1)×10.16

Poles	Dim L	Dim B
2-4p	±0.20	±0.15
5-7p	±0.30	±0.25
8-10p	±0.40	±0.35
11-12p	±0.45	±0.40

PART NO.: HM xx 60 x 000JOG

No. of poles	Color	RoHS compliant (lead-4%) In copper Alloy
02 2 poles	Black (RAL9005)	
03 3 poles	Red (RAL3001/D)	
...	Orange(RAL2011/P)	
...	Yellow(RAL1018/A)	
12 12 poles	4 Green(RAL6018/T)	
	5 Blue (RAL5015/A)	
	6 Grey(RAL7004/P)	
	8 White(RAL1102)	
	C Multiple colors	

mat'l. code	surface ASME Y14.5	tolerance ASME Y14.5	projection	product family
ltr ecn no dr date	tolerances unless otherwise specified	X.±0.5		TERMINAL BLOCK
angles	X.X±0.3	X.X±0.1	MM	title
X'±1'			scale	TERMINAL BLOCK
dr EVIN ZHONG 052914				SPRING CLAMP,90D WIRE INLET,DIP SOLDER
enrg EVIN ZHONG 052914				FCI
chr HANKE FENG 052914				dwg no sheet 1 of 1 size
appd SHI JUN 052914				HMxx60x000JOG A4
sheet index	revision sheet	A 1		type CUSTOMER Drawing