

Excellent Integrated System Limited

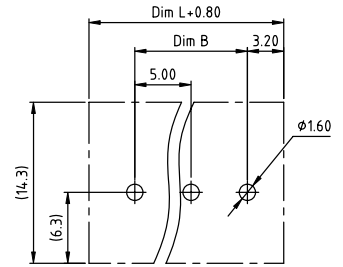
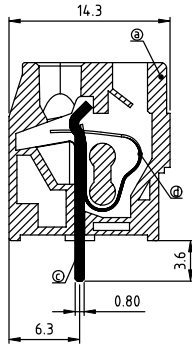
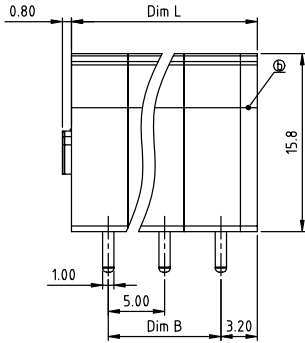
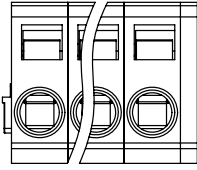
Stocking Distributor

Click to view price, real time Inventory, Delivery & Lifecycle Information:

[FCI](#)
[HM02708000J0G](#)

For any questions, you can email us directly:
sales@integrated-circuit.com

PRODUCT NUMBER	PITCH
HMxx70x000JOG	5.00mm



RECOMMENDED P.C.B LAYOUT
TOP VIEW

- Material:
- Item① Insulator body: Thermoplastic (UL94V-0)
 - Item② Insulating cover: Thermoplastic (UL94V-0)
 - Item③ Solder pin: Brass, Tin plated
 - Item④ Wire guard: Stainless steel

- Electrical: cULus
- Voltage rating: 250V
 - Current rating: 8A
 - Wire range:
 - Solid wire(AWG): 12-28
 - Stranded wire(AWG): 12-28
 - Wire strip length: 8-9mm
 - Withstanding Voltage: 1.5KV
 - Operating temperature: -40°C to +115°C
 - Soldering temperature: 260°C±5°C/5 Sec
 - Safety Approval:

N=Number of poles
Dim L=N×5.00+1.5
Dim B=(N-1)×5.00

Poles	Dim L	Dim B
1p	±0.15	±0.15
2-6p	±0.20	±0.15
7-12p	±0.30	±0.25
13-18p	±0.40	±0.35
19-24p	±0.45	±0.40

PART NO.: HM xx 70 x 000JOG

- | | | | |
|---------------|-----|---------------------|-----------------|
| No. of poles | 0 | Color | RoHS compliant |
| End Stackable | 2 | Black (RAL9005) | (lead<4%) |
| 01 1 poles | 3 | Red (RAL3001/D) | In copper Alloy |
| 02 2 poles | 4 | Orange(RAL2011/P) | |
| ... | ... | 4 Yellow(RAL1018/A) | |
| ... | ... | 5 Green(RAL6018/T) | |
| 24 24 poles | 6 | Blue (RAL5015/A) | |
| | 8 | Grey(RAL7004/P) | |
| | 9 | White(RAL1102) | |
| | C | Multiple colors | |

mat'l. code	surface ASME Y14.5	tolerance ASME Y14.5	projection	product family
ltr ecn no dr date	tolerances unless otherwise specified		MM	TERMINAL BLOCK
angles	X.±0.5			title
X'±1'	X.X±0.3			TERMINAL BLOCK
	X.XX±0.1		scale	SPRING CLAMP,90D WIRE INLET,DIP SOLDER
dr	EVIN ZHONG	052914		dwg no
enrg	EVIN ZHONG	052914		sheet 1 of 1
chr	HANKE FENG	052914		size
appd	SHI JUN	052914		A4
sheet index	revision sheet	A 1		type
				CUSTOMER Drawing