

## Excellent Integrated System Limited

Stocking Distributor

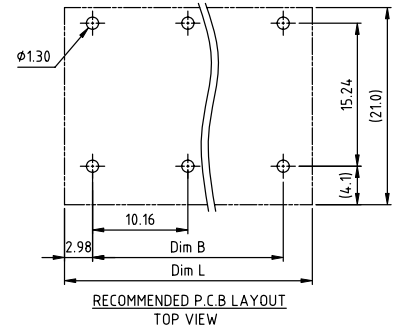
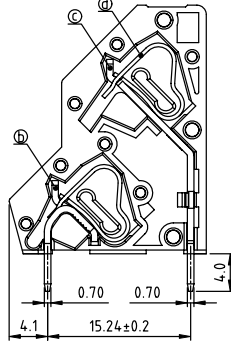
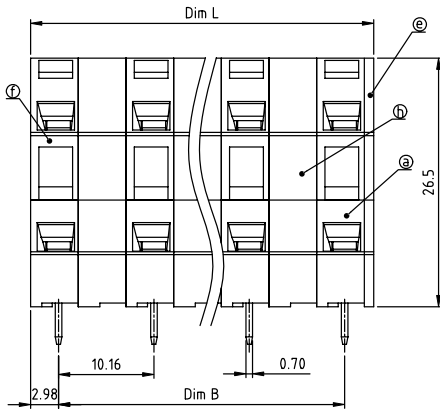
Click to view price, real time Inventory, Delivery & Lifecycle Information:

[FCI](#)  
[HQ04408000J0G](#)

For any questions, you can email us directly:

[sales@integrated-circuit.com](mailto:sales@integrated-circuit.com)

PRODUCT NUMBER	PITCH
HQxx40x000JOG	10.16mm



**Material:**

- Item①Terminal housing: Thermoplastic ( UL94V-0 )
- Item②Short pin: Brass, Tin plated
- Item③Long pin: Brass, Tin plated
- Item④Spring clamp: Stainless steel
- Item⑤Terminal cover: Thermoplastic ( UL94V-0 )
- Item⑥Terminal side housing: Thermoplastic ( UL94V-0 )
- Item⑦Pad board: Thermoplastic ( UL94V-0 )

**Electrical:**

- cULus
- Voltage rating: 300V
- Current rating: 10A
- Wire range:
- Solid wire(AWG): 12-28
- Stranded wire(AWG): 12-28
- Wire strip length: 5-6mm
- Withstanding Voltage: 1.6KV
- Operating temperature: -40°C to +115°C
- Soldering temperature: 260°C±5°C/5 Sec
- Safety Approval:



PART NO.: HQ xx 40 x 000J0 G

N=Number of poles  
Dim L=(N/2-1)×10.16+6.08  
Dim B=(N/2-1)×10.16

Poles	Dim L	Dim B
2×2p-2×6p	±0.15	±0.15
2×7p-2×12p	±0.30	±0.30

No. of poles	Color	RoHS compliant
04 2x2 poles	0 Black (RAL9005)	(lead<4%)
06 2x3 poles	2 Red (RAL3001/D)	In copper Alloy
...	3 Orange(RAL2011/P)	
...	4 Yellow(RAL1018/A)	
24 2x12 poles	5 Green(RAL6018/T)	
	6 Blue (RAL5015/A)	
	8 Grey(RAL7004/P)	
	9 White(RAL1102)	
	C Multiple colors	

mat'l. code	surface ASME Y14.5	tolerance ASME Y14.5	projection	product family TERMINAL BLOCK
ltr	ecn	no	dr	date
tolerances unless otherwise specified				title TERMINAL BLOCK SPRING CLAMP 4SD WIRE INLET, 2-LEVEL, PARALLEL TYPE
angles	X.±0.5		MM	dwg no
X'±1'	X.X±0.3		scale	sheet 1 of 1
dr	EVIN ZHONG	053014		size A4
enr	EVIN ZHONG	053014		HQxx40x000JOG
chr	HANKE FENG	053014		type
appd	SHI JUN	053014		CUSTOMER Drawing
sheet index	revision sheet	A	1	