

Excellent Integrated System Limited

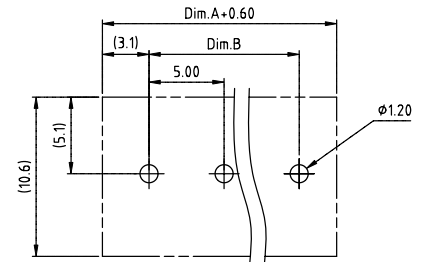
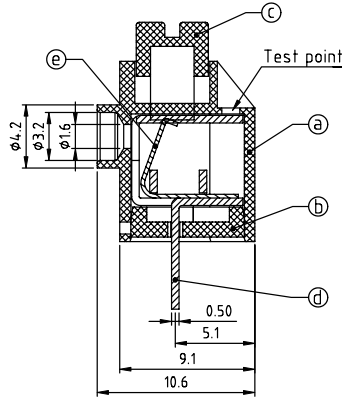
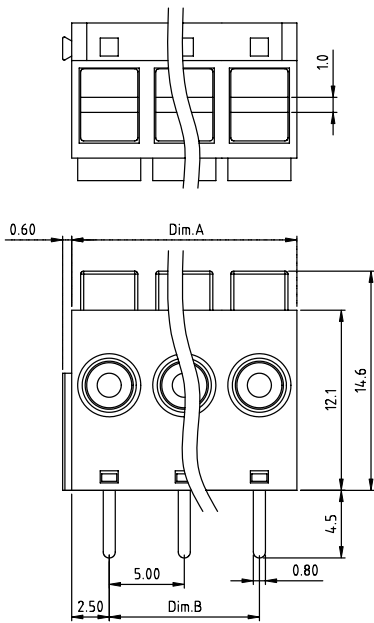
Stocking Distributor

Click to view price, real time Inventory, Delivery & Lifecycle Information:

[FCI](#)
[HY02008000J0G](#)

For any questions, you can email us directly:
sales@integrated-circuit.com

PRODUCT NUMBER	PITCH
HYxx00x000JOG	5.00mm



RECOMMENDED P.C.B LAYOUT
TOP VIEW

Material:

- Item① Insulating body: Thermoplastic (UL94V-0)
- Item② Insulating cover: Thermoplastic (UL94V-0)
- Item③ Insulating lever: Thermoplastic (UL94V-0) White
- Item④ Solder pin: Brass, Tin plated
- Item⑤ Spring clamp: Stainless steel

Electrical cULus

- Voltage rating: 300VAC
- Current rating: 7A
- Wire range:
- Solid wire(AWG): 18-22
- Stranded wire(AWG):
- Wire strip length: 7-7.5mm
- Withstanding Voltage: 16KV
- Operating temperature: -40°C to +115°C
- Soldering temperature: 260°C±5°C/5 Sec
- Safety Approval:

Dimension

Dim.A	Nx5.0
Dim.B	(N-1)x5.0
N=Number of poles	
Poles	Tolerance
2p-8p	±0.20
9p-16p	±0.30
17p-24p	±0.40

PART NO.: HY xx 00 x 000J0 G

No. of poles	0	Color	Black (RAL9005)	RoHS compliant (lead-4%) in copper Alloy
End Stackable	2		Red (RAL3001/D)	
	02		Orange(RAL2011/P)	
	03		Yellow(RAL1018/A)	
	...		5 Green(RAL6018/T)	
	24		6 Blue (RAL5015/A)	
			8 Grey(RAL7004/P)	
			9 White(RAL1102)	
			C Multiple colors	

mat'l. code	surface ASME Y14.5	tolerance ASME Y14.5	projection 	product family TERMINAL BLOCK
ltr	ecn	no	dr	date
tolerances unless otherwise specified				title TERMINAL BLOCK SPRING CLAMP,180D WIRE INLET
angles	mm	X.±0.5	X.X±0.3	X.XX±0.1
dr	ENGR	EVIN ZHONG	060314	060314
chr	HANKE FENG	060314	060314	060314
appd	SHI JUN	060314		
sheet index	revision sheet	A	1	
dwg no		sheet 1 of 1		size A4
type		CUSTOMER Drawing		