

## Excellent Integrated System Limited

Stocking Distributor

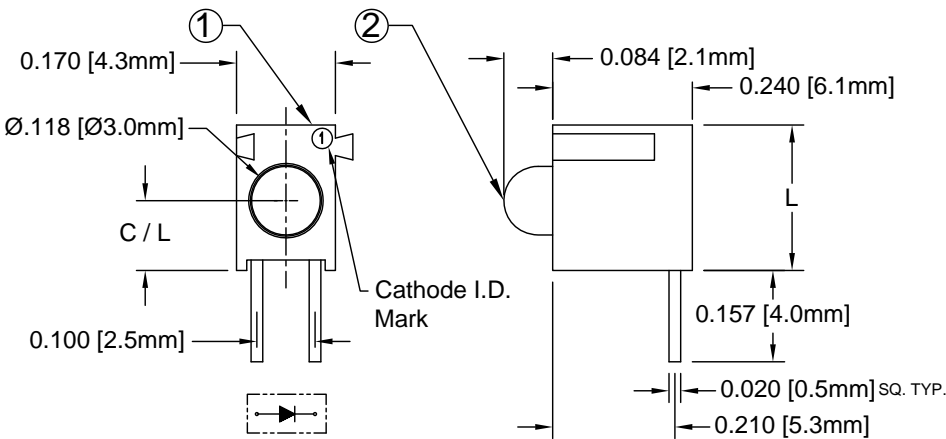
Click to view price, real time Inventory, Delivery & Lifecycle Information:

[Bivar, Inc.](#)  
[H130CAD-120](#)

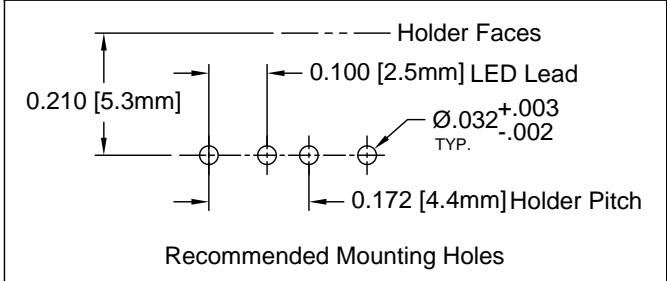
For any questions, you can email us directly:  
[sales@integrated-circuit.com](mailto:sales@integrated-circuit.com)

ITEM	QTY	PART NUMBER	PART DESCRIPTION
1	1	H-130C-1-XXX	T-1 (3mm) LED Holder, 90° Mount, Interlocking Var. C/L
2	1	3XX-S	T-1 (3mm) Shouldered N-Flanged LED, See Page 2

REV.	DESCRIPTION	DATE	APPROVED
B	Engineering Update w/o Changes	03/05/04	M. C.
C	LED Package Change to 3XX-S LEDs	10/26/07	M. C.
D	Added H130CAD-XXX	02/29/08	M. C.
E	Engineering Update w/o Changes	06/20/16	J. C.



EXAMPLE:  
**H130CRD-160\***  
 Centerline "C/L"  
 LED Color & Lens Appearance.  
 Omit 3 when ordering.  
 Series \* XXX = Centerline "C/L"



Available Centerlines		
XXX	C/L	L
120	.120 (3.0)	.250 (6.4)
140	.140 (3.6)	.270 (6.9)
160	.160 (4.1)	.290 (7.4)
180	.180 (4.6)	.310 (7.9)



**ABSOLUTE MAXIMUM RATINGS (Ta=25°C)**

REVERSE VOLTAGE \_\_\_\_\_ 5V  
 REVERSE CURRENT \_\_\_\_\_ 100uA  
 OPERATING TEMPERATURE RANGE \_\_\_\_\_ -25° C - 85° C  
 STORAGE TEMPERATURE \_\_\_\_\_ -30° C - 100° C  
 LEAD SOLDERING TEMPERATURE (1/16" FROM BODY) \_\_\_\_\_ 260° C FOR 5 SECONDS

STANDARD TOLERANCE (UNLESS OTHERWISE SPECIFIED)		 4 THOMAS, IRVINE, CA. 92618 TEL: (949) 951-8808 FAX: (949) 951-3974
DECIMALS	ANGULAR	
.X ±.1	X° ±1°	<b>TITLE:</b> T-1 (3MM) INTERLOCKING 90° SINGLE-LEVEL VAR. C/L LED ASSY <b>PART NO:</b> H130CXX-XXX <b>CAGE CODE :</b> 32559 <b>SHEET # 1 OF 2</b>
.XX ±.02		
.XXX ±.010		
DESIGNED: <b>D. Green</b>	DATE: <b>06/11/03</b>	REVISION: <b>E</b>
CHECKED: <b>M. Chen</b>	DATE: <b>06/11/03</b>	

REV.	DESCRIPTION	DATE	APPROVED
	SEE SHEET #1		

LED Assy. No.	Peak Wave Length $\lambda_p$ (nm)	Emitted Color	Lens Appearance	Electro-Optical Data				Viewing Angle $2\theta_{1/2}$ (Deg)	LED P/N
				If (mA)	Vf (V)		Iv (mcd)		
				Typ.	Typ.	Max.	Typ.		
<b>STANDARD</b>				<b>Data @ 20m A</b>					
H130CBWD-XXX	430	BLUE	DIFFUSED	20	4.0	4.5	20	45	3BWD-S
H130CGD-XXX	565	GREEN	DIFFUSED	20	2.2	2.6	30	45	3GD-S
H130CYD-XXX	585	YELLOW	DIFFUSED	20	2.1	2.6	20	45	3YD-S
H130CHD-XXX	635	HE RED	DIFFUSED	20	2.0	2.6	30	45	3HD-S
H130CRD-XXX	655	RED	DIFFUSED	20	1.7	2.0	6	45	3RD-S
H130CSR-XXX	660	SUPER RED	DIFFUSED	20	1.7	2.6	90	45	3SRD-S
H130CAD-XXX	610	AMBER	DIFFUSED	20	2.2	2.6	30	45	3AD-S
<b>LOW CURRENT</b>				<b>Data @ 2m A</b>					
H130CGDL-XXX	565	GREEN	DIFFUSED	2	1.9	2.2	6	45	3GDL-S
H130CYDL-XXX	585	YELLOW	DIFFUSED	2	1.9	2.2	4	45	3YDL-S
H130CHDL-XXX	635	HE RED	DIFFUSED	2	1.8	2.2	6	45	3HDL-S
<b>5 VOLT</b>				<b>Data @ 5V</b>					
H130CGD5V-XXX	565	GREEN	DIFFUSED	10	-	5.0	30	45	3GD5V-S
H130CYD5V-XXX	585	YELLOW	DIFFUSED	10	-	5.0	20	45	3YD5V-S
H130CHD5V-XXX	635	HE RED	DIFFUSED	10	-	5.0	30	45	3HD5V-S

STANDARD TOLERANCE (UNLESS OTHERWISE SPECIFIED) ±10% ALL VALUES ANGULAR		 4 THOMAS, IRVINE, CA. 92618 TEL: (949) 951-8808 FAX: (949) 951-3974	
		<b>TITLE:</b> T-1 (3MM) INTERLOCKING 90° SINGLE-LEVEL VAR. C/L LED ASSY	
DESIGNED: <b>D. Green</b>	DATE: <b>06/11/03</b>	<b>PART NO:</b> H130CXX-XXX	REVISION: <b>E</b>
CHECKED: <b>M. Chen</b>	DATE: <b>06/11/03</b>	<b>CAGE CODE :</b> 32559	<b>SHEET # 2 OF 2</b>
CAD GENERATED DOCUMENT. DO NOT MEASURE DRAWING.			