

Excellent Integrated System Limited

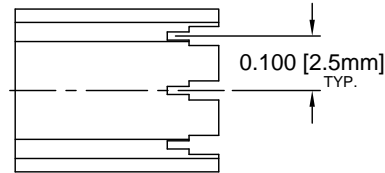
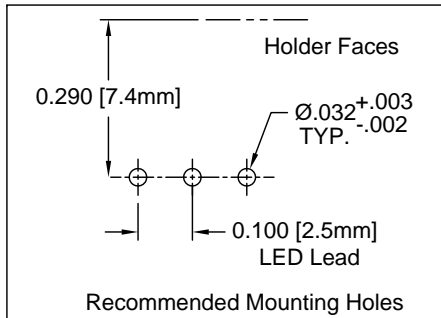
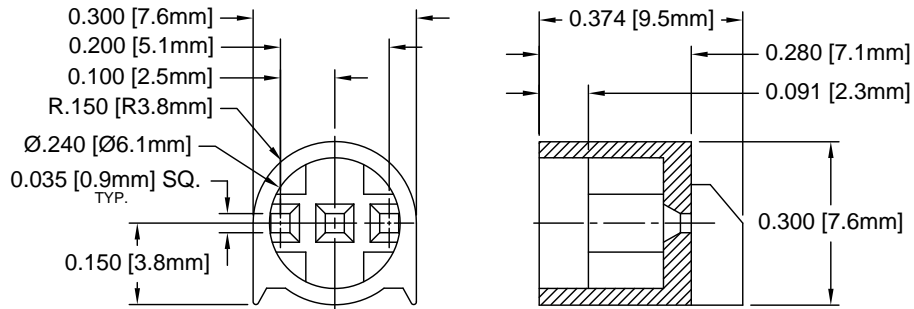
Stocking Distributor

Click to view price, real time Inventory, Delivery & Lifecycle Information:

[Bivar, Inc.](#)
[H-178C-3](#)

For any questions, you can email us directly:
sales@integrated-circuit.com

REV.	DESCRIPTION	DATE	APPROVED
A	Engineering Update w/o Changes	02/26/04	M. C.
B	Removed Material Code	05/28/16	J. C.



2. MATERIAL: NYLON 6/6, 94V-0, BLACK.

1. GENERAL SPECIFICATIONS: BIVAR MOLDED COMPONENT SPECIFICATION BV00-E101.

STANDARD TOLERANCE (UNLESS OTHERWISE SPECIFIED)		BIVAR [®]	
DECIMALS		4 THOMAS, IRVINE, CA. 92618	
.X	±.1	TEL: (949) 951-8808 FAX: (949) 951-3974	
.XX	±.01	TITLE: T-1½ (5mm) TRI-LEAD LED HOLDER	
.XXX	±.005	DESIGNED: S. Irving DATE: 02/08/99 PART NO: H-178C-3 REVISION: B	
CHECKED: D. Green DATE: 02/26/04		CAGE CODE : 32559 SHEET # 1 OF 1	
CAD GENERATED DOCUMENT. DO NOT MEASURE DRAWING.			