

Excellent Integrated System Limited

Stocking Distributor

Click to view price, real time Inventory, Delivery & Lifecycle Information:

[Bivar, Inc.](#)
[H178CBC-R/Y](#)

For any questions, you can email us directly:
sales@integrated-circuit.com



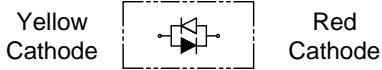
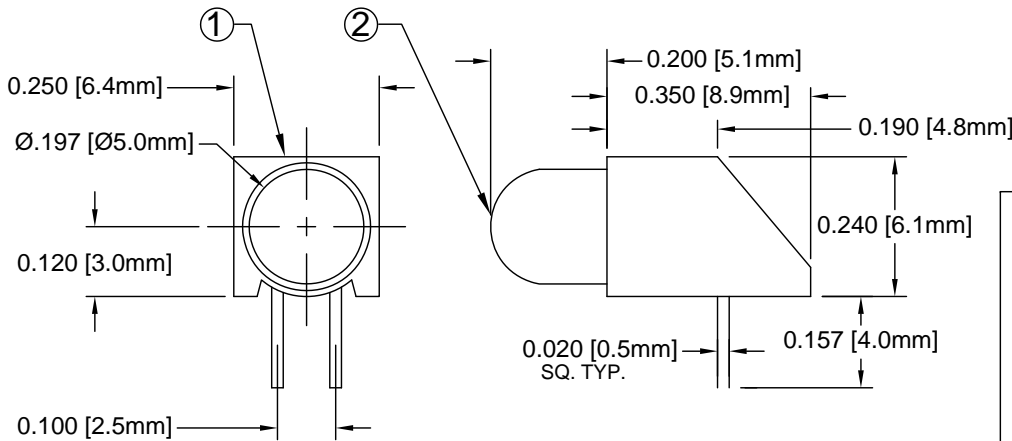
Distributor of Bivar, Inc.: Excellent Integrated System Limited

Datasheet of H178CBC-R/Y - LED ASSY RA 5MM HER/YLW WHT DIFF

Contact us: sales@integrated-circuit.com Website: www.integrated-circuit.com

ITEM	QTY	PART NUMBER	PART DESCRIPTION
1	1	H-178C-2	T-1¼ (5mm) LED Holder, 90° Mount
2	1	5BC-R/Y	T-1¼ (5mm) Non-Flange Bi-Color LED

REV.	DESCRIPTION	DATE	APPROVED
A	Engineering Release	04/25/07	M. C.
B	Engineering Update w/o Changes	06/20/16	J. C.



LED Part No.	Chip			Lens Appearance	Absolute Max. Ratings				Electro-Optical Data @ 20mA			Viewing Angle (Deg)
	Material	Peak Wave Length λp (nm)	Emitted Color		Δλ (nm)	Pd (mW)	If (mA)	Peak If (mA)	Vf (V)		Iv (mcd)	
									TYP	MAX	TYP	
5BC-R/Y	GaAsP/GaP	635	HE RED	45	80	30	150	2.0	2.6	15.0	45	
	GaAsP/GaP	585	YELLOW	30	80	30	150	2.1	2.6	30.0		

ABSOLUTE MAXIMUM RATINGS (Ta=25° C)

REVERSE VOLTAGE _____ 5V
 REVERSE CURRENT _____ 100uA
 OPERATING TEMPERATURE RANGE _____ -40° C - 80° C
 STORAGE TEMPERATURE _____ -40° C - 100° C
 LEAD SOLDERING TEMPERATURE(1/16" FROM BODY) _____ 260° C FOR 5 SECONDS

STANDARD TOLERANCE (UNLESS OTHERWISE SPECIFIED)		 4 THOMAS, IRVINE, CA. 92618 TEL: (949) 951-8808 FAX: (949) 951-3974	
DECIMALS	ANGULAR		
.X ±.1	X° ±1°	TITLE: T-1¼ (5mm) BI-COLOR 90° SINGLE-LEVEL LED ASSY PART NO: H178CBC-R/Y REVISION: B CAGE CODE : 32559 SHEET # 1 OF 1 <small>CAD GENERATED DOCUMENT, DO NOT MEASURE DRAWING.</small>	
.XX ±.02			
.XXX ±.010			
DESIGNED: D. Beckman	DATE: 04/25/07		
CHECKED: T. Yin	DATE: 04/25/07		