

Excellent Integrated System Limited

Stocking Distributor

Click to view price, real time Inventory, Delivery & Lifecycle Information:

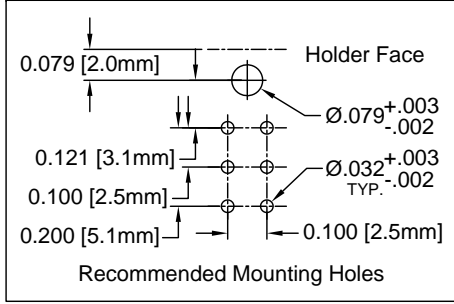
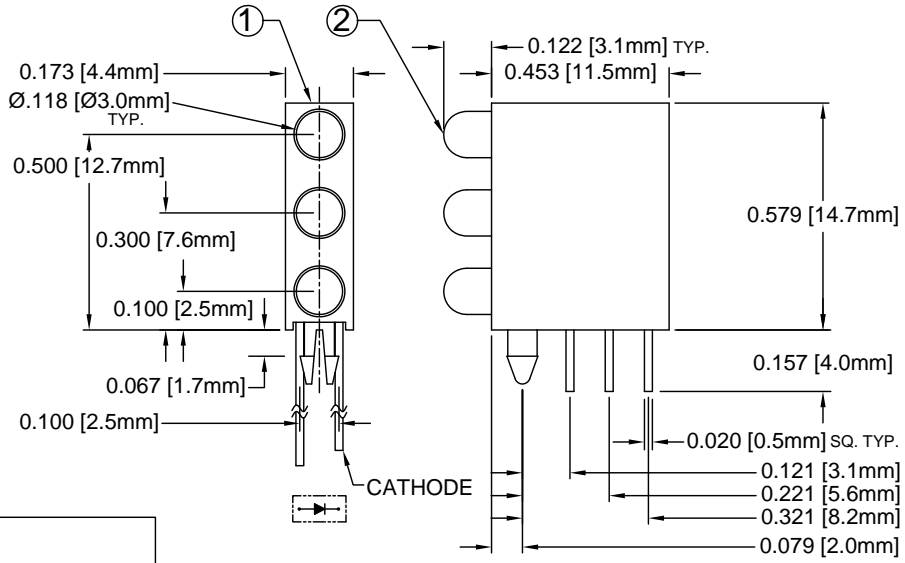
[Bivar, Inc.](#)
[H320CYD-LP](#)

For any questions, you can email us directly:
sales@integrated-circuit.com



ITEM	QTY	PART NUMBER	PART DESCRIPTION
1	1	H-320C-LP	T-1 (3mm) Tri-Level LED Holder, 90° Mount
2	3	3XX-S	T-1 (3mm) N-Flange LED, See Page 2

REV.	DESCRIPTION	DATE	APPROVED
A	Engineering Update w/o Changes	03/08/04	M. C.
B	Updated LEDs to Shouldered	02/28/08	M. C.
C	Added P/N Designation	04/03/12	T. Y.
D	Engineering Update w/o Changes	06/24/16	J. C.



NOTE: P/N DESIGNATION
H320CXXXDX-LP

- H-400 Holder Series
- Color of top LED - Use "X" if blank
- Color of Second from top LED - Use "X" if blank
- Color of Bottom LED - Use "X" if blank
- " " Standard LED
- "L" Low Current LED
- "5V" 5V LED
- Lens Appearance

-If LEDs are the same, use e.g. H200CGD
 All Green Diffused LEDs



ABSOLUTE MAXIMUM RATINGS (Ta=25° C)

REVERSE VOLTAGE _____	5V
REVERSE CURRENT _____	100uA
OPERATING TEMPERATURE RANGE _____	-25° C - 85° C
STORAGE TEMPERATURE _____	-30° C - 100° C
LEAD SOLDERING TEMPERATURE(1/16" FROM BODY) _____	260° C FOR 5 SECONDS

STANDARD TOLERANCE (UNLESS OTHERWISE SPECIFIED)		 4 THOMAS, IRVINE, CA. 92618 TEL: (949) 951-8808 FAX: (949) 951-3974	
DECIMALS	ANGULAR		
.X ±.1	X° ±1°	TITLE: T-1 (3MM) 90° TRI-LEVEL LED LOCATOR PIN LED ASSY PART NO: H320CXX-LP REVISION: D	
.XX ±.02			
.XXX ±.010			
DESIGNED: T. Yin	DATE: 03/08/04	CAGE CODE : 32559 SHEET # 1 OF 2 <small>CAD GENERATED DOCUMENT, DO NOT MEASURE DRAWING.</small>	
CHECKED: D. Green	DATE: 03/08/04		

REV	DESCRIPTION	DATE	APPROVED
	SEE SHEET #1		

LED Assy. No.	Peak Wave Length λ_p (nm)	Emitted Color	Lens Appearance	Electro-Optical Data				Viewing Angle $2\theta_{1/2}$ (Deg)	LED P/N
				If (mA)	Vf (V)		Iv (mcd)		
				TYP	TYP	MAX	TYP		
STANDARD				Data @ 20mA					
H320CBWD-LP	430	BLUE	DIFFUSED	20	4.0	4.5	20	45	3BWD-S
H320CGD-LP	565	GREEN	DIFFUSED	20	2.2	2.6	30	45	3GD-S
H320CYD-LP	585	YELLOW	DIFFUSED	20	2.1	2.6	20	45	3YD-S
H320CHD-LP	635	HE RED	DIFFUSED	20	2.0	2.6	30	45	3HD-S
H320CRD-LP	655	RED	DIFFUSED	20	1.7	2.0	6	45	3RD-S
H320CSRDL-LP	660	SUPER RED	DIFFUSED	20	1.7	2.6	90	45	3SRD-S
LOW CURRENT				Data @ 2mA					
H320CGDL-LP	565	GREEN	DIFFUSED	2	1.9	2.2	6	45	3GDL-S
H320CYDL-LP	585	YELLOW	DIFFUSED	2	1.9	2.2	4	45	3YDL-S
H320CHDL-LP	635	HE RED	DIFFUSED	2	1.8	2.2	6	45	3HDL-S
5 VOLT				Data @ 5V					
H320CGD5V-LP	565	GREEN	DIFFUSED	10	-	5.0	30	45	3GD5V-S
H320CYD5V-LP	585	YELLOW	DIFFUSED	10	-	5.0	20	45	3YD5V-S
H320CHD5V-LP	635	HE RED	DIFFUSED	10	-	5.0	30	45	3HD5V-S

STANDARD TOLERANCE (UNLESS OTHERWISE SPECIFIED) ±10% ALL VALUES ANGULAR		 4 THOMAS, IRVINE, CA. 92618 TEL: (949) 951-8808 FAX: (949) 951-3974	
		TITLE: T-1 (3MM) 90° TRI-LEVEL LED LOCATOR PIN LED ASSY	
DESIGNED: T. Yin	DATE: 03/08/04	PART NO: H320CXX-LP	REVISION: D
CHECKED: D. Green	DATE: 03/08/04	CAGE CODE : 32559	SHEET # 2 OF 2
CAD GENERATED DOCUMENT. DO NOT MEASURE DRAWING.			