

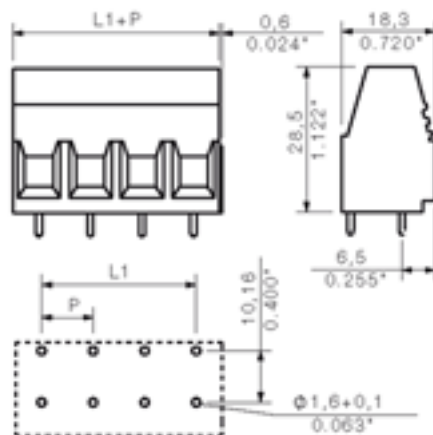
## Excellent Integrated System Limited

Stocking Distributor

Click to view price, real time Inventory, Delivery & Lifecycle Information:

[Weidmüller](#)  
[1648310000](#)

For any questions, you can email us directly:  
[sales@integrated-circuit.com](mailto:sales@integrated-circuit.com)



#### General ordering data

Order No.	1648310000
Part designation	LU 10.16/2/90 2STI/4.5
Version	PCB terminal, Clamping yoke connection, Soldered connection, Clamping range, max.: 16 mm <sup>2</sup> , Pitch: 10.16 mm, No. of poles: 2, 90°, Box
EAN	4008190291174
Qty.	20 pc(s).

#### System parameters

Product family	System LU
Conductor connection system	Clamping yoke connection
Fitted to PCB	Soldered connection
Outgoing direction of conductor	90°
Pitch	10.16 mm
Pitch in inch	0.4 inch
No. of poles	2
Fitted by customer	yes
Max. adjacent poles per row	10
No. of rows	1
Solder pin length	4.5 mm
Dia. of fitting hole	1.6 mm
Fitting hole tolerance	+ 0.1 mm
No. of solder pins per pole	2

#### System parameters

Screwdriver blade	1.0 x 5.5
Screwdriver blade standard	DIN 5264
Tightening torque, min.	1.2 Nm
Tightening torque, max.	1.5 Nm
Clamping screw	M 4
Stripping length	12 mm
L1 in mm	10.16 mm
L1 in inch	0.4 inch
Electric shock protection to DIN VDE 0470	IP20 plugged/ IP10 unplugged
Electric shock protection to DIN VDE 0470	Safe from finger touch

#### Material data

Insulating material	Wemid (PA)
Colour	pebble grey
colour chart	Similar to RAL 7032
Insulating material group	I
Flammability class UL 94	V-0
CTI	>= 600
Temperature of glow-wire test	960 °C
Duration of glow-wire test	30 S
Contact base material	E-Cu
Contact surface	tinned
Storage temperature, min.	-25 °C
Storage temperature, max.	55 °C

#### Connectable conductors

Clamping range, min.	0.14 mm <sup>2</sup>
Clamping range, max.	16 mm <sup>2</sup>
AWG, min.	22
AWG, max.	8
Solid, min. H05(07) V-U	0.5 mm <sup>2</sup>
Solid, max. H05(07) V-U	16 mm <sup>2</sup>
Stranded, min. H07V-R	6 mm <sup>2</sup>
Stranded, max. H07V-R	16 mm <sup>2</sup>
Flexible, min. H05(07) V-K	0.5 mm <sup>2</sup>
Flexible, max. H05(07) V-K	16 mm <sup>2</sup>
With wire end ferrule, acc. to DIN 46 228/1, min.	2.5 mm <sup>2</sup>
With wire end ferrule, acc. to DIN 46 228/1, max.	10 mm <sup>2</sup>
w. plastic collar ferrule, DIN 46228 pt 4, min.	2.5 mm <sup>2</sup>
w. plastic collar ferrule, DIN 46228 pt 4, max.	10 mm <sup>2</sup>
Gauge to EN 60999 a x b; ø	5.4 mm x 5.1 mm; 5.3 mm

#### DIN IEC rating data

Rated current, min. No. pins (Tu=20°C)	76 A
Rated current, max. No. pins (Tu=20°C)	72 A
Rated current, min. No. pins (Tu=40°C)	76 A
Rated current, max. No. pins (Tu=40°C)	62 A
Rated voltage for overvoltage class/pollution severity II/2	1,000 V
Rated voltage for overvoltage class/pollution severity III/2	690 V

#### DIN IEC rating data

Rated voltage for overvoltage class/pollution severity III/3	690 V
Rated impulse withstand voltage for overvoltage class/pollution severity II/2	4 kV
Rated impulse withstand voltage for overvoltage class/pollution severity III/2	6 kV
Rated impulse withstand voltage for overvoltage class/pollution severity III/3	6 kV
Short-time withstand current resistance	2 x 1s with 700 A

#### CSA rating data

Rated current (Use group C)	65 A
Rated voltage (Use group C)	150 V
Rated voltage (Use group D)	300 V
Rated current (Use group D)	10 A
AWG conductor (field wiring), min.	22
AWG conductor (field wiring), max.	6

#### UL 1059 rating data

Rated voltage (Use group C)	150 V
Rated current (Use group C)	65 A
Rated voltage (Use group D)	300 V
Rated current (Use group D)	10 A
AWG conductor, min.	26
AWG conductor, max.	6

#### Approvals

Approvals institutes



#### Downloads

CAD Library (P-CAD Format - Standard)	LU.lib
---------------------------------------	--------

#### Classifications

ETIM 2.0	NK
ETIM 3.0	EC001284
eClass 4.1	NK
eClass 5.0	NK
eClass 5.1	NK

#### Similar products

Order No.	Part designation	Version
1648300000	LU 10.16/3/90 2STI/4.5	PCB terminal, Clamping yoke connection, Soldered connection, Clamping range, max.: 16 mm <sup>2</sup> , Pitch: 10.16 mm, No. of poles: 3, 90°, Box

9956390000	LU 10.16/4/90 4.5 GR	PCB terminal, Clamping yoke connection, Soldered connection, Clamping range, max.: 16 mm <sup>2</sup> , Pitch: 10.16 mm, No. of poles: 4, 90°, Box
9956400000	LU 10.16/5/90 4.5 GR	PCB terminal, Clamping yoke connection, Soldered connection, Clamping range, max.: 16 mm <sup>2</sup> , Pitch: 10.16 mm, No. of poles: 5, 90°, Box
9956410000	LU 10.16/6/90 4.5 GR	PCB terminal, Clamping yoke connection, Soldered connection, Clamping range, max.: 16 mm <sup>2</sup> , Pitch: 10.16 mm, No. of poles: 6, 90°, Box
9956420000	LU 10.16/7/90 4.5 GR	PCB terminal, Clamping yoke connection, Soldered connection, Clamping range, max.: 16 mm <sup>2</sup> , Pitch: 10.16 mm, No. of poles: 7, 90°, Box
9956430000	LU 10.16/8/90 4.5 GR	PCB terminal, Clamping yoke connection, Soldered connection, Clamping range, max.: 16 mm <sup>2</sup> , Pitch: 10.16 mm, No. of poles: 8, 90°, Box
9956440000	LU 10.16/9/90 4.5 GR	PCB terminal, Clamping yoke connection, Soldered connection, Clamping range, max.: 16 mm <sup>2</sup> , Pitch: 10.16 mm, No. of poles: 9, 90°, Box
9956450000	LU 10.16/10/90 4.5 GR	PCB terminal, Clamping yoke connection, Soldered connection, Clamping range, max.: 16 mm <sup>2</sup> , Pitch: 10.16 mm, No. of poles: 10, 90°, Box