

Excellent Integrated System Limited

Stocking Distributor

Click to view price, real time Inventory, Delivery & Lifecycle Information:

[Bivar, Inc.](#)
[RL23105GD](#)

For any questions, you can email us directly:
sales@integrated-circuit.com



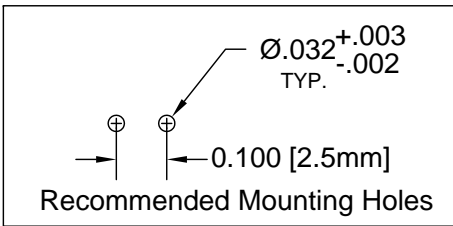
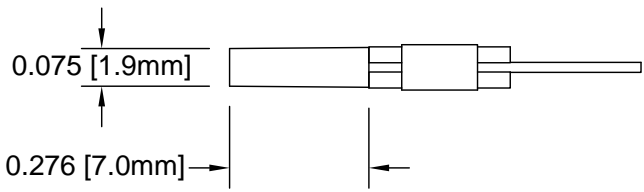
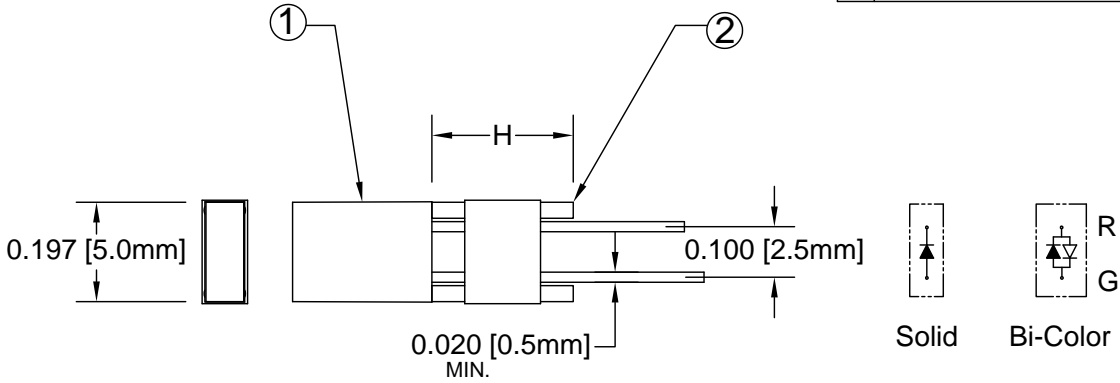
Distributor of Bivar, Inc.: Excellent Integrated System Limited

Datasheet of RL23105GD - LED ASSY RECT 5MM GRN DIFF 0.31"

Contact us: sales@integrated-circuit.com Website: www.integrated-circuit.com

ITEM	QTY	PART NUMBER	PART DESCRIPTION
1	1	R5XX	2x5mm Rectangular LED, See Page 2
2	1	RL2-XXX	Molded Rectangular LED Mount

REV.	DESCRIPTION	DATE	APPROVED
B	Engineering Update w/o Changes	03/01/04	M. C.
C	Updated Specs.	04/02/08	M. C.
D	Engineering Update w/o Changes	06/25/16	J. C.



EXAMPLE:
 RL21605GD(T)
 ———— Optional Tape and Reel
 ———— LED Color & Lens Appearance.
 ———— Omit R when ordering.
 ———— Height "H" *
 ———— Series

* XXX = Height "H"
 Available Range From 0.200" - 0.350"
 In 0.010" Increments



ABSOLUTE MAXIMUM RATINGS (Ta=25°C)

- REVERSE VOLTAGE _____ 5V
- REVERSE CURRENT _____ 100uA
- OPERATING TEMPERATURE RANGE _____ -20° C - 80° C
- STORAGE TEMPERATURE _____ -20° C - 80° C
- LEAD SOLDERING TEMPERATURE(1/16" FROM BODY) _____ 260° C FOR 5 SECONDS

STANDARD TOLERANCE (UNLESS OTHERWISE SPECIFIED)		 4 THOMAS, IRVINE, CA. 92618 TEL: (949) 951-8808 FAX: (949) 951-3974	
DECIMALS	ANGULAR		
.X ±.1	X° ±1°		
.XX ±.02		TITLE: MOLDED RECTANGULAR LED MOUNT ASSEMBLY PART NO: RL2XXX5XX REVISION: D	
.XXX ±.010			
DESIGNED: T. Yin	DATE: 03/01/04	CAGE CODE : 32559 SHEET # 1 OF 2 <small>CAD GENERATED DOCUMENT, DO NOT MEASURE DRAWING.</small>	
CHECKED: D. Green	DATE: 03/01/04		

REV.	DESCRIPTION	DATE	APPROVED
	SEE SHEET #1		

LED Assy P/N	Peak Wavelength λ_p (nm)	Emitted Color	Lens Appearance	Abs. Max. Rating	LED Electro-Optical Data @ 20mA			Viewing Angle $2\theta_{1/2}$ (Deg)	LED P/N
					Vf (V)		Iv (mcd)		
					If (mA)	TYP	MAX		
RL2XXX5GD	568	GREEN	DIFFUSED	30	2.2	2.6	7.0	125	R5GD
RL2XXX5YD	585	YELLOW	DIFFUSED	30	2.1	2.6	5.0	125	R5YD
RL2XXX5RD	655	RED	DIFFUSED	40	1.7	2.0	0.8	125	R5RD
RL2XXX5BC	635	HE RED	WHITE	45	2.0	2.6	4.0	125	R5BC
	568	GREEN	DIFFUSED	30	2.2	2.6	4.0		

STANDARD TOLERANCE (UNLESS OTHERWISE SPECIFIED) $\pm 10\%$ ALL VALUES ANGULAR		 4 THOMAS, IRVINE, CA. 92618 TEL: (949) 951-8808 FAX: (949) 951-3974	
		 TITLE: MOLDED RECTANGULAR LED MOUNT ASSEMBLY	
DESIGNED: T. Yin	DATE: 03/01/04	PART NO: RL2XXX5XX	REVISION: D
CHECKED: D. Green	DATE: 03/01/04	CAGE CODE : 32559	SHEET # 2 OF 2
CAD GENERATED DOCUMENT, DO NOT MEASURE DRAWING.			