

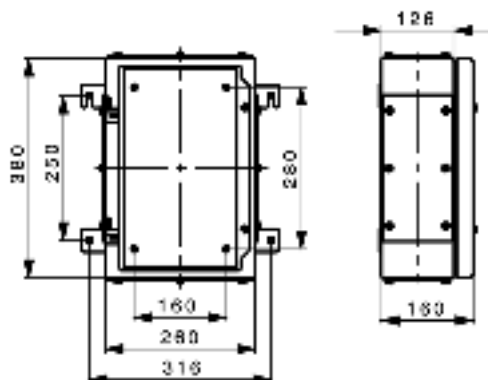
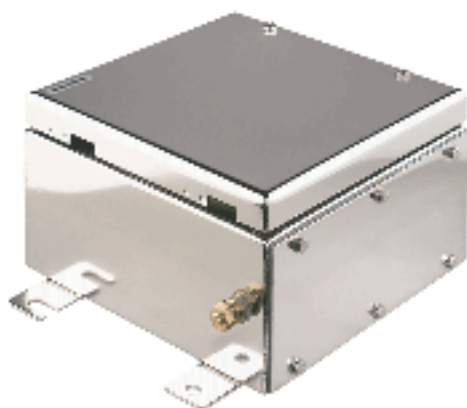
Excellent Integrated System Limited

Stocking Distributor

Click to view price, real time Inventory, Delivery & Lifecycle Information:

[Weidmüller](#)
[9508630000](#)

For any questions, you can email us directly:
sales@integrated-circuit.com


General ordering data

| | |
|------------------|--|
| Order No. | 9508630000 |
| Part designation | NexT 38/26/16 4gp ss |
| Version | Ex enclosure, 160 mm, 380 mm, 260 mm, Stainless steel |
| EAN | 4008190499402 |
| Qty. | 1 pc(s). |

Dimensions

| | |
|--------------------------|--------|
| Fixing dimension, height | 250 mm |
| Fixing dimension, width | 316 mm |
| Height | 160 mm |
| Length | 380 mm |
| Width | 260 mm |

General details

| | |
|---------------------------------|-----------------------------------|
| Cover fixing | Removable cover + M6 screws |
| Enclosure fixing | Outside mounting with 10 mm holes |
| Integral fixing | 4 x 10 mm spacers |
| Sealing material | Chloroprene (cover & flange) |
| Version cover | closed |
| Colour | Miscellaneous |
| Surface finish | polished, chemically immersed |
| Class of protection to EN 60529 | IP 66 |
| Weight | 7,000 g |
| Ambient temperature, min. | -40 °C |
| Ambient temperature, max. | 85 °C |

Screwed cable glands top/bottom

| | |
|------|----|
| M 12 | 38 |
| M 16 | 24 |
| M 20 | 14 |
| M 25 | 6 |
| M 32 | 4 |
| M 40 | 3 |

Screwed cable glands top/bottom

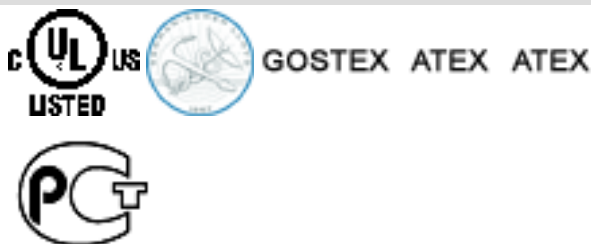
| | |
|-------------------|--------------|
| M 50 | 2 |
| Side of enclosure | Top / Bottom |

Screwed cable glands, left/right

| | |
|-----------------|--------------|
| M12 | 38 |
| M16 | 24 |
| M20 | 14 |
| M25 | 6 |
| M32 | 4 |
| M40 | 3 |
| M50 | 2 |
| On housing side | left / right |

Approvals

Approvals institutes


Classifications

| | |
|------------|-------------|
| ETIM 2.0 | EC000049 |
| ETIM 3.0 | EC000049 |
| eClass 4.1 | 27-14-12-06 |
| eClass 5.0 | 27-18-05-02 |
| eClass 5.1 | 27-18-05-02 |

Similar products

| Order No. | Part designation | Version |
|------------|------------------------|---|
| 9523600000 | NexT 38/26/16 0gp 7032 | Ex enclosure, 160 mm, 380 mm, 260 mm, Sheet steel 1.5 mm (16 SWG) |
| 9523460000 | NexT 38/26/16 0gp ss | Ex enclosure, 160 mm, 380 mm, 260 mm, Stainless steel 1.4404 |
| 9522900000 | NexT 38/26/16 1gp 7032 | Ex enclosure, 160 mm, 380 mm, 260 mm, Sheet steel 1.5 mm (16 SWG) |
| 9522620000 | NexT 38/26/16 1gp ss | Ex enclosure, 160 mm, 380 mm, 260 mm, Stainless steel 1.4404 |
| 9507750000 | NexT 38/26/16 2gp 7032 | Ex enclosure, 160 mm, 380 mm, 260 mm, Sheet steel 1.5 mm (16 SWG) |
| 9508560000 | NexT 38/26/16 2gp ss | Ex enclosure, 160 mm, 380 mm, 260 mm, Stainless steel 1.4404 |
| 9523040000 | NexT 38/26/16 3gp 7032 | Ex enclosure, 160 mm, 380 mm, 260 mm, Sheet steel 1.5 mm (16 SWG) |
| 9522760000 | NexT 38/26/16 3gp ss | Ex enclosure, 160 mm, 380 mm, 260 mm, Stainless steel 1.4404 |
| 9507820000 | NexT 38/26/16 4gp 7032 | Ex enclosure, 160 mm, 380 mm, 260 mm, Sheet steel 1.5 mm (16 SWG) |