

Features

LED DRIVER

- 25W Class II AC-DC LED Power Supply
- 350, 500, 700, 1050mA or 2100mA Output
- Active Power Factor Correction >0.90
- Efficiency up to 81%
- IP67 Certified
- 3 in 1 Dimming

Description

The 25W LED drivers of the RACD25-A series come with a 3-in-1 dimming function so that the LED load can be dimmed with analog (1-10V), PWM, or resistor inputs. Due to wide input voltage range of 90 - 305VAC these LED drivers are suitable for worldwide use. They operate with efficiencies of up to 81%, feature active PFC, and are fully protected against short circuit, overvoltage, and over-temperature conditions. They are sealed against damp and wet conditions, and the warranty is 5 years.

Selection Guide

Part Number	Rated Power (W)	Output Current (mA)	Output Voltage (VDC)	Efficiency (typ.) (%)
RACD25-350A	20	350	48 - 57	79
RACD25-500A	24	500	36 - 48	81
RACD25-700A	25.2	700	24 - 36	82
RACD25-1050A	25.2	1050	12 - 24	80
RACD25-2100A	25.2	2100	9 - 12	79

Specifications (measured at 240VAC and 25°C ambient temperature)

Input Voltage Range	90-305 VAC	
Input Frequency Range	47-63Hz	
Power Factor	Full Load, 277VAC	>0.90
	Full Load, 230VAC	>0.92
	Full Load, 110VAC	>0.98
AC Input Current	110VAC	0.4A
	230VAC	0.2A
Inrush Current (Max.)	264VAC	Cold Start 50A
Leakage Current	230VAC	<0.25mA
Output Current Accuracy (includes Line Regulation, Load Regulation and set-up tolerance)	±5%	
Isolation Voltage	3.75kVAC / 1minute	
Short Circuit Protection	Hiccup mode & recovers after fault condition removed	
Over Voltage Protection	115% - 135% Output Voltage	auto-recovery
Over Temperature Protection	Thermistor	105°C ± 10°C
	Type	Latch Mode
Dimming Control:	PWM	1<Adj<10V(500Hz - 3kHz)
	Analogue	control by external voltage 1-10VDC
	Resistance	10K - 100KΩ
Set Up Time	Full Load, 120VAC	2 sec
Vibration	10-500Hz, 2G, 60 Min. along X, Y and Z	
Storage Humidity	10% - 95% RH	
Operating Humidity	20% - 95% RH Non-Condensing	
Weight	384g	
Dimension (LxBxH)	110 x 73.5 x 33mm	
Operating Temperature Range	Full load	-20°C to +50°C
(free air convection 10LFM)	Case Temperature	85°C ± 10°C
Storage Temperature	-40°C to +80°C	
IP Rating	IP67	
Isolation Resistance	500VDC	100MΩ
MTBF (+25°C)	using MIL-HDBK 217F	200 x 10 ³ hours

continued on next page

LIGHTLINE
AC/DC-Converter
with 5 year Warranty

RECOM

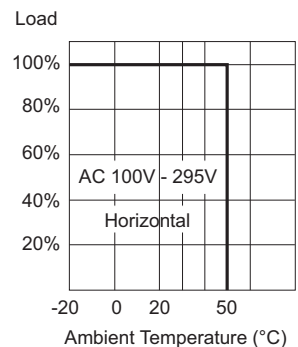
25 Watt PFC Single Output



UL8750 Certified
EN61347 Certified
EN55015 Certified
EN61547 Certified

RACD25-A

Derating-Graph (Ambient Temperature)



Note:

All LED Drivers may not be used without a load. They must be switched on the primary side only. Noncompliance may damage the LED or reduce its lifetime.

Refer to Application Notes

Specifications (measured at 240VAC and 25°C ambient temperature)

Certifications:

UL Standards

Report: E340696

UL8750

(based on) UL1310

Safety Standards

Report: P201403013

EN61347-1; EN61347-2-13

Emission

Report: HA130831-SACE

EN55015, Class B

IEC61000-3-2

IEC61000-3-3

FCC

Report: HA130831-SAFD

Part 15, Class B

EMC

Report: HA130831-SACE

IEC61000-4-2, 3, 4, 5, 6, 8, 11

Immunity

EN61547

IP67

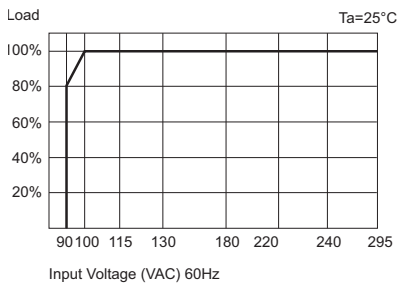
Report: 14022002

IEC/EN 60598-1

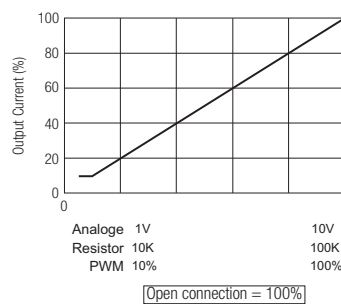
IEC/EN 60529

Technical Characteristic

Load vs. Input Voltage



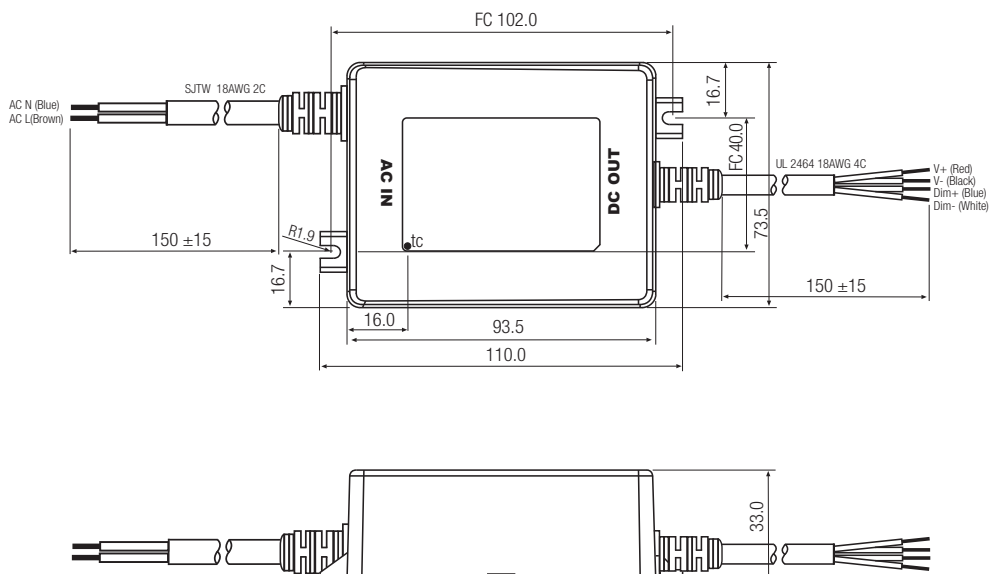
Dimming Curve



Maximum Number of LED drivers per circuit breakers

Condition	Circuit Breaker	Circuit Breaker Current			
		10A	16A	20A	25A
115VAC, 10hm 90° phase angle	Typ				
	C	32	48	57	72
230VAC, 10hm 90° phase angle	B	24	38	46	58
	C	38	62	74	92
277VAC, 10hm 90° phase angle	B	28	44	53	66
	C	44	71	84	106

Package Style & Pinning



The product information and specifications are subject to change without prior notice. RECOM products are not authorized for use in safety-critical applications (such as life support) without RECOM's explicit written consent. A safety-critical application is defined as an application where a failure of a RECOM product may reasonably be expected to endanger or cause loss of life, inflict bodily harm or damage property. The buyer shall indemnify and hold harmless RECOM, its affiliated companies and its representatives against any damage claims in connection with the unauthorized use of RECOM products in such safety-critical applications.